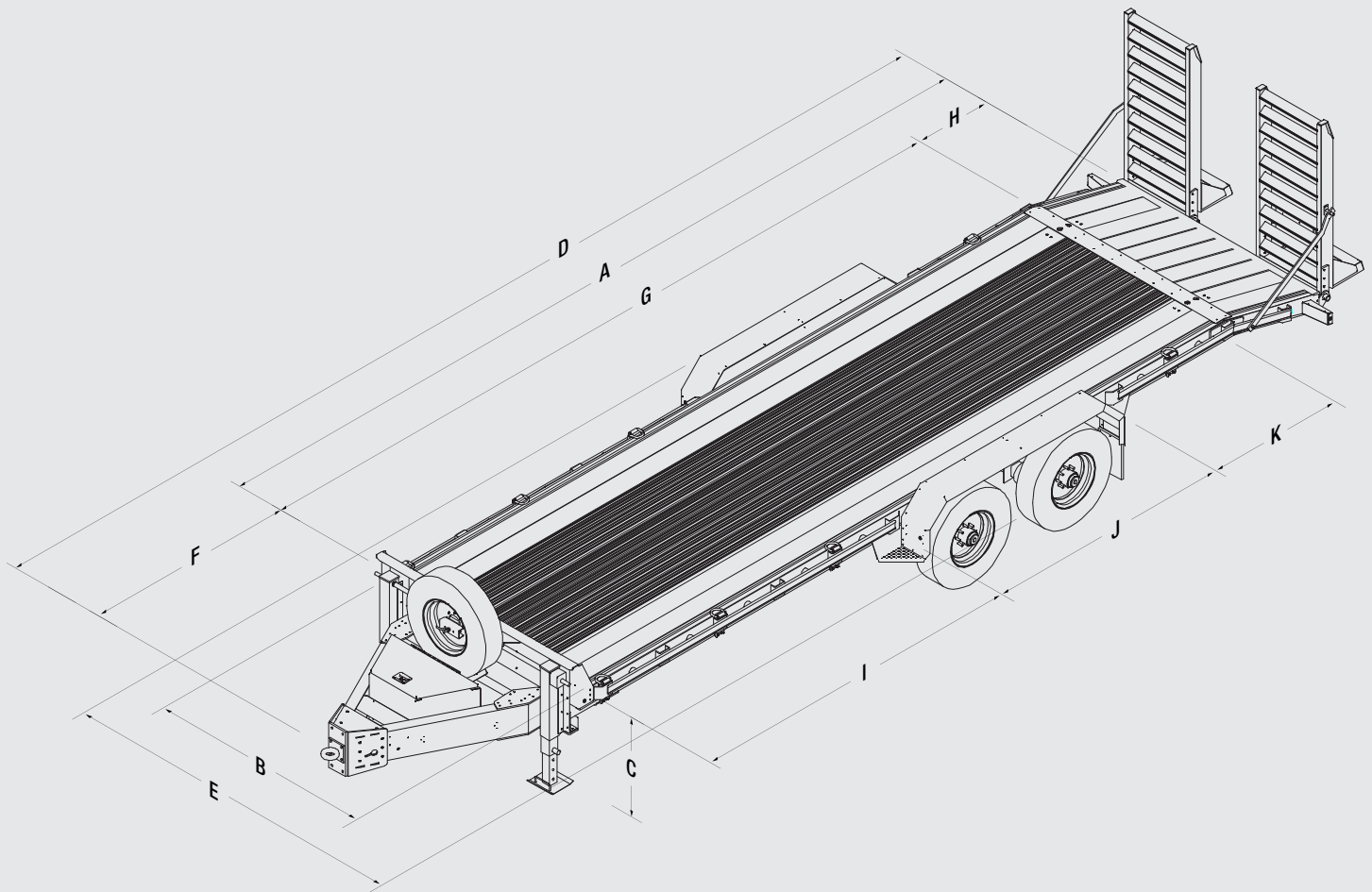


23K GVW

LOW-PROFILE BUMPER-PULL



STANDARD DIMENSIONS

AREA	DESCRIPTION	LP23K26
A	Full Deck Length	25' 9"
B	Deck Width	82"
C	Deck Height	33"
D	Overall Length	31'
E	Overall Width	102"
F	A-Frame Length	60"
G	Flat Deck Length	22' 6"
H	Beaver Tail Length	39"
I	Forward of Fender	134-1/2"
J	Length of Fender	83-3/8"
K	Behind Fender (flat)	52-5/16"

