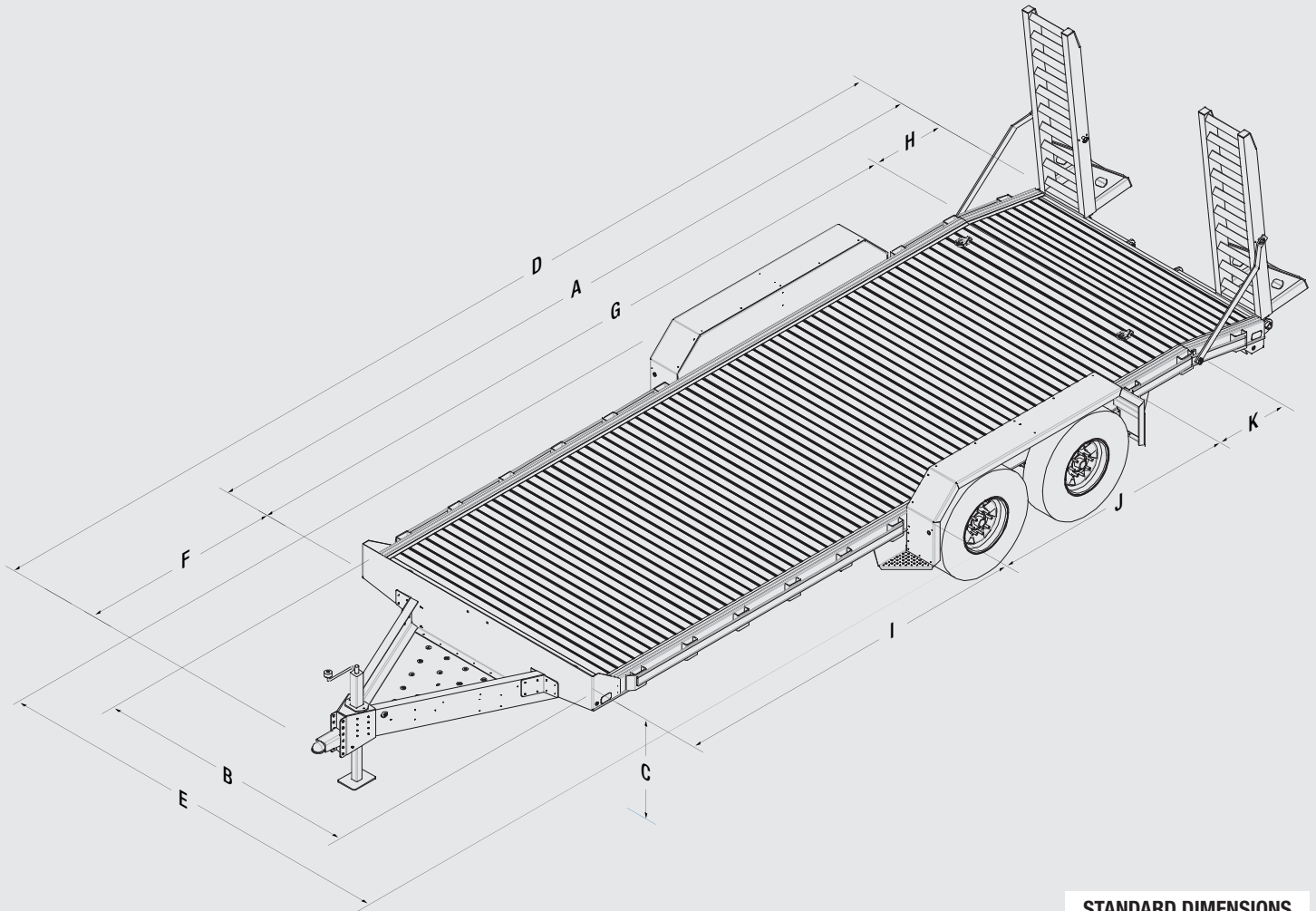


10K GVW

# LOW-PROFILE BUMPER-PULL



## STANDARD DIMENSIONS

AREA	DESCRIPTION	LP10K18	LP10K20
A	Full Deck Length	18'	20'
B	Deck Width	82"	82"
C	Deck Height	24-1/2"	24-1/2"
D	Overall Length	22' 10-3/4"	24' 10-3/4"
E	Overall Width	102"	102"
F	A-Frame Length	58-3/4"	58-3/4"
G	Flat Deck Length	15' 9"	17' 9"
H	Beaver Tail Length	27"	27"
I	Forward of Fender	94-1/2"	112-1/2"
J	Length of Fender	75"	75"
K	Behind Fender (flat)	19-1/2"	25-1/2"

