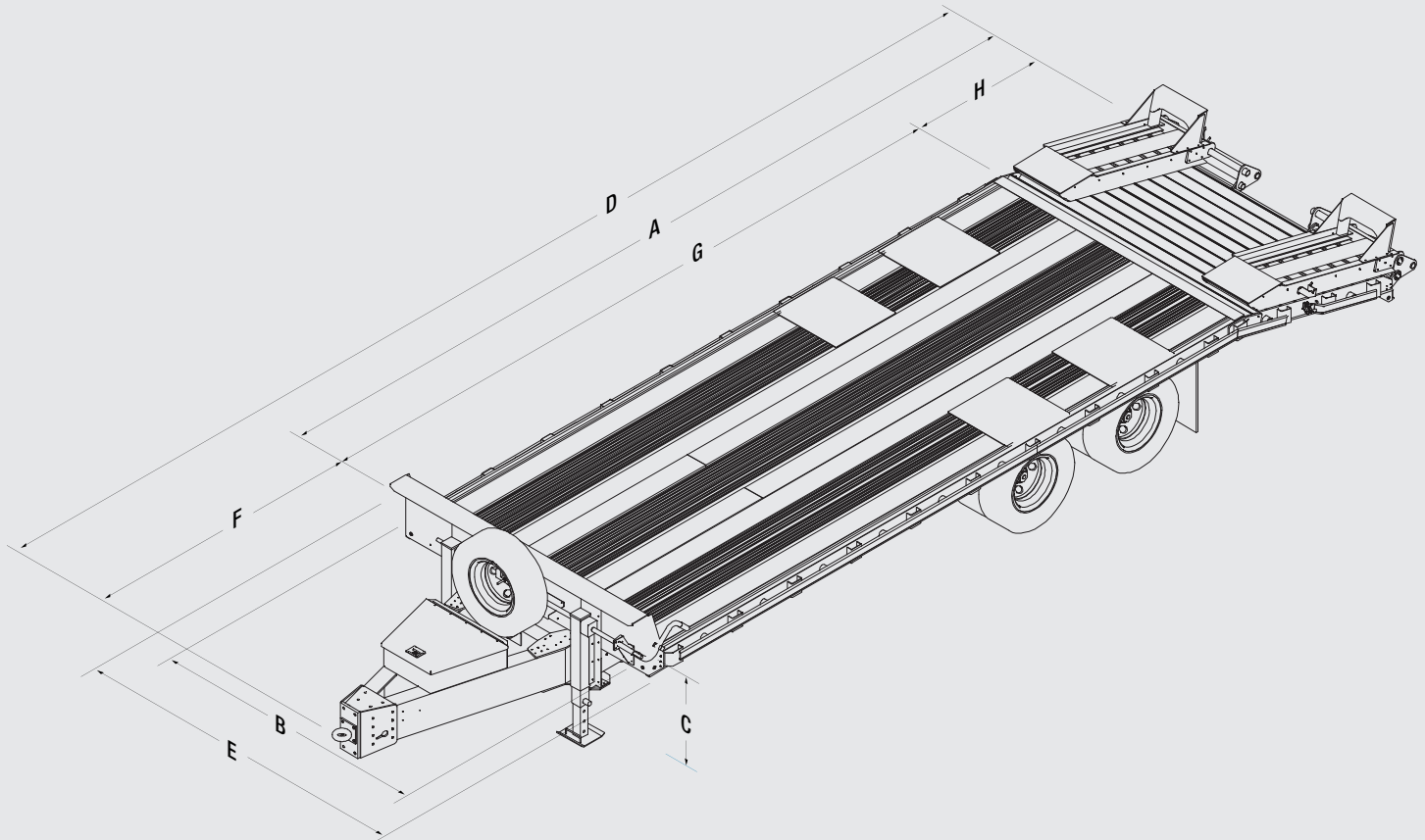


25K GVW

DECK-OVER BUMPER-PULL



STANDARD DIMENSIONS

AREA	DESCRIPTION	D025K25	D025K30	D025K35
A	Full Deck Length	25'	30'	35'
B	Deck Width	97-3/4"	97-3/4"	97-3/4"
C	Deck Height	35-5/8"	35-5/8"	35-5/8"
D	Overall Length	31' 4-3/4"	36' 4-3/4"	41' 4-3/4"
E	Overall Width	102"	102"	102"
F	A-Frame Length	76-1/2"	76-1/2"	76-1/2"
G	Flat Deck Length	20'	25'	30'
H	Beaver Tail Length	60"	60"	60"

