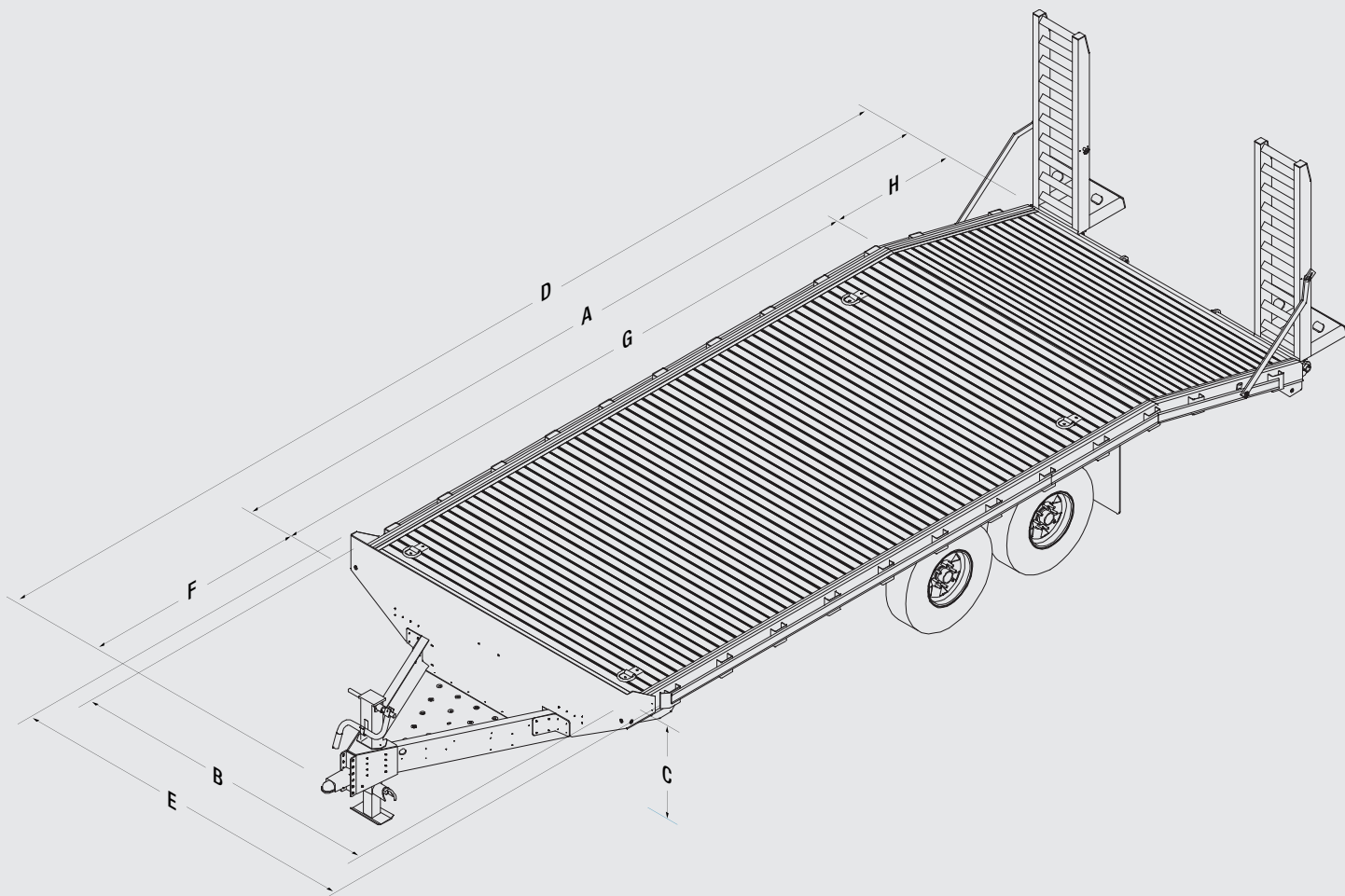


14K GVW DECK-OVER BUMPER-PULL



STANDARD DIMENSIONS

AREA	DESCRIPTION	D014K18	D014K20	D014K25
A	Full Deck Length	18'	20'	24' 6"
B	Deck Width	97-3/4"	97-3/4"	97-3/4"
C	Deck Height	34-1/2"	34-1/2"	34-1/2"
D	Overall Length	22' 10-3/4"	24' 10-3/4"	29' 4-3/4"
E	Overall Width	102"	102"	102"
F	A-Frame Length	58-3/4"	58-3/4"	58-3/4"
G	Flat Deck Length	13'9"	15'9"	20'3"
H	Beaver Tail Length	51"	51"	51"

