

**BPDL**®

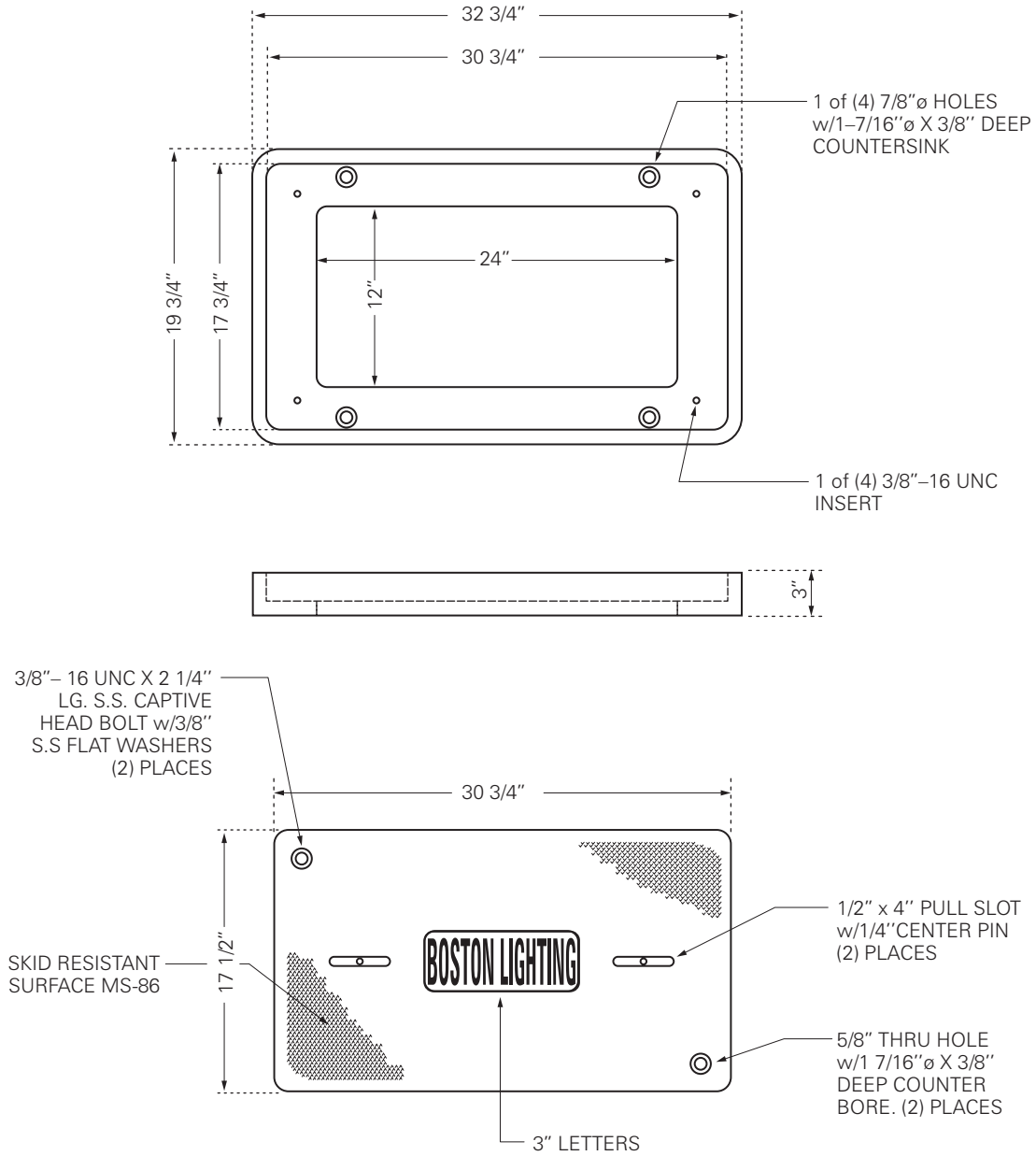
www.precastpecialtiescorp.com  
www.bpd.com

T 781.878.7220 F 781.878.7464  
info@precastspecialtiescorp.com  
999 Adams Street, P.O. Box 86,  
Abington, Massachusetts 02351



## POLYMER FRAME & COVER ASSEMBLY\* (FOR "OFF" ROADWAY USE)

WT. = 125#



**NOTES:**

\* THIS ASSEMBLY CONFORMS TO CITY OF BOSTON SPEC. CCFCPCB - 100, REV. 9/2006