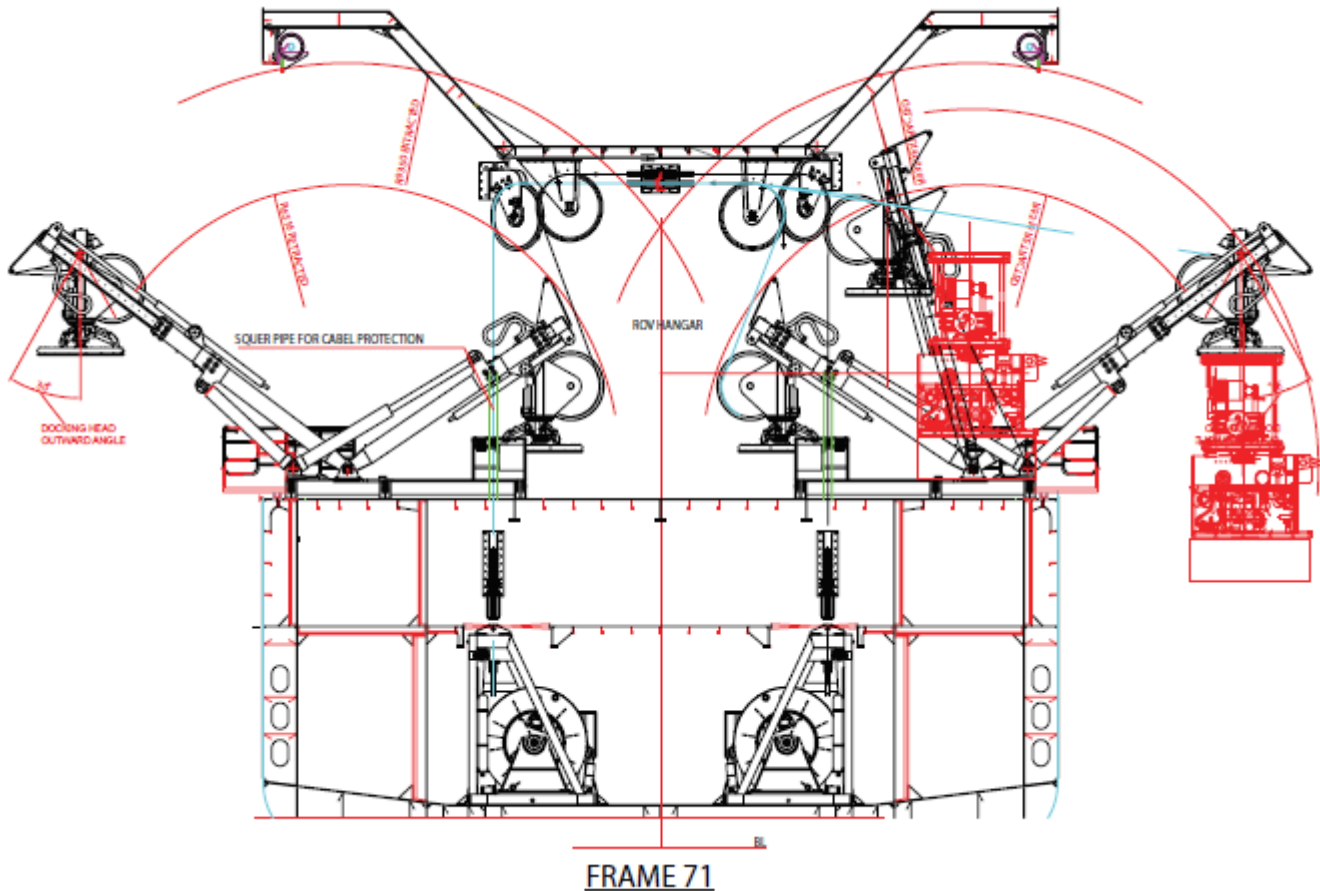




## IMR Larissa – SX 130 LARS & WROV Specification



### - **ROV HANGAR**

- 2 x ODIM 12T AHC LARS FOR WROV
- > 20TE DEPLOYMENT LOAD @ 4000M, OPERATING SPEED 144 M/MIN CONTINUOUSLY.
- WINCHES FOR LARS LOCATED BELOW MAIN DECK
- 2 x ROV LAUNCHING DOORS ON EACH SIDE. 5 x 9.3M. HYDRAULIC STEEL DOORS IN LOWER PART. AND ROLLER GATE UPPER PART.
- 1 x ROLLER GATE, HANGAR AFT END, 6 x 5M



## IMR Larissa – SX 130 LARS & WROV Specification

**- A-FRAMES WITH DOCKING HEADS**

SAFE WORKING LOAD (SWL)	12 TE LATCHED LOAD. 22 TE DEPLOYED LOAD.
DYNAMIC AMPLIFICATION FACTOR	3.0 FOR LATCHED LOAD. 1.6 FOR MAXIMUM DEPLOYED LOAD.
PEAK LOAD	36 TE
MAXIMUM PACKAGE DIMENSIONS (H x W x L)	5110 x 2000 x 3050 MM.
DISTANCE BETWEEN LEGS	3 550 MM
TILT RANGE	33° (INBOARD) TO 144°, 111° TRAVEL.
TELESCOPE RANGE	0 – 2 834 MM.
OUTREACH OVER SIDE	4 800 MM OUTWARDS FROM BASE FRAME.
DOCKING HEAD ROTATION RANGE	± 90°
DOCKING HEAD LEFT/RIGHT RANGE:	± 45° AT FULL OUTREACH
DOCKING HEAD IN/OUT RANGE	± 30°
PAD EYES FOR LOAD TEST	LOAD TESTS OF UMBILICAL TERMINATION (1 x 15 TE).
ROV SEA FASTENING	10 OFF SEA FASTENING BRACKETS (10 x 1 TE).
UMBILICAL FLAG SHEAVE DIAMETER	1 500 MM
CABLE DIAMETER	39.5 – 40.5 MM
HANDS OFF - SYSTEM	YES

**- ROV WINCHES (INSTALLED ON TANK TOP)**

SAFE WORKING LOAD	12 TE								
DYNAMIC AMPLIFICATION FACTOR	3.0								
PEAK LOAD	36 TE								
WEATHER LIMITATION FOR ACTIVE HEAVE COMPENSATION:	<table style="width: 100%; border: none;"> <tr> <td style="width: 50%;">VESSEL HEAVE:</td> <td style="width: 50%;">HEAVE PERIOD:</td> </tr> <tr> <td style="padding-left: 40px;">6.0 M</td> <td style="padding-left: 40px;">8 SECONDS.</td> </tr> <tr> <td style="padding-left: 40px;">7.5 M</td> <td style="padding-left: 40px;">10 SECONDS.</td> </tr> <tr> <td style="padding-left: 40px;">11.5 M</td> <td style="padding-left: 40px;">15 SECONDS.</td> </tr> </table>	VESSEL HEAVE:	HEAVE PERIOD:	6.0 M	8 SECONDS.	7.5 M	10 SECONDS.	11.5 M	15 SECONDS.
VESSEL HEAVE:	HEAVE PERIOD:								
6.0 M	8 SECONDS.								
7.5 M	10 SECONDS.								
11.5 M	15 SECONDS.								
LIFTING CAPACITY OUTER LAYER / INNER LAYER	12 / 22 TE.								
SPEED	2.4 M/S								
WINCH ACCELERATION	1.9 M/S <sup>2</sup>								
CABLE LENGTH CAPACITY	APPROXIMATELY 4 500 M, OPERATIONAL DEPTH DOWN TO 4 000 M								
CABLE DIAMETER	39.5 MM								
CABLE TERMINATION	THROUGH DRUM CORE WITH MECHANICAL CLAMPS INSIDE DRUM								
SLIP RING TYPE	PREPARED FOR FOCAL TYPE 176								
SPOOLING DEVICE:	SHEAVE BASED DESIGN WITH FIXED UMBILICAL OUTLET POINT								
MODES OF OPERATION	STANDBY, NORMAL, LATCHED AND AHC								



## IMR Larissa – SX 130 LARS & WROV Specification

### - ROV POWER DISTRIBUTION

- 2 x 400 kW, 440V, EACH SUPPLIED THROUGH INDEPENDENT TRANSFORMER FROM SEPARATE SIDES OF THE SPLITTED 690V SWITCHBOARD.

### - WROV's

- 2 x MERLIN WR200, 200HP WROV's BY IKM SUBSEA FEATURING AN ENVIRONMENTAL APPROACH WITH ELECTRICAL THRUSTERS. GIVING HIGHEST DEGREE OF REDUNDANCY AND ELECTRICAL AS WELL AS HYDRAULIC OPERATED TOOLING. UMBILICAL LENGTHS 2,200M
- TOP HAT TMS UNITS FITTED WITH NEUTRALLY BUOYANT TETHER LENGTHS 300/400M
- THE ROV CONTROL ROOM IS LOCATED ON A-DECK, FULLY FITTED FOR DUAL OPERATIONS.

<b>MERLIN WR 200 - P316 TECHNICAL SPECIFICATION</b>	
General Arrangement	Length 2800 x With 1800 x Height 1700
Weight	2800 Kg
Power Requirements	250 kVA (Internal Supplied)
Bollard Pull Forward/Aft	7KN
Bollard Pull Vertical	8KN
Thrusters	4 x horizontal & 4 x vertical
Manipulator 5F	Rigmaster
Manipulator 7F	Schilling T4
Auxiliary Tool HPU	18 kW Electrical Hydraulic power pack. 90 L/min/210 bar
Valves	10x NG3 & 2 x NG10
Gyro	CDL Togs Nav - Fiber Optical Gyro with doppler
Cameras	1 x Low Light 1 x Color Zoom Camera 2 x Sit Camera front 1 x Sit Camera rear 1 x Sit Camera for TMS docking
Lights	4 x Q-led 3 x MV-led
Auto Functions	Auto Heading, Auto Depth, Auto Altitude
Survey Capability	2 x HD Camera 5 x RS232 3 x RS485 2 x Gigabit Ethernet, 1 x 100mbit Ethernet





## IMR Larissa – SX 130 LARS & WROV Specification

MALM ORSTAD MOBIC TMS SPECIFICATION TABLE		
Description	Value	Comment
Length	2275 mm	Circular shaped/Including rubber protection
Width	2275 mm	Circular shaped/Including rubber protection
Height	2296 mm	Not including docking probe
Weight	3500 Kg	Including maximum tether capacity on drum
MGW	12 800 Kg	Maximum load to be lifted using single lifting point
WLL	10 000 Kg	Maximum load applied to TMS latch
Drum Capacity	350 m	Ø 42mm tether
Supply voltage Main Power	440 VAC 60 Hz	
Current consumption Main Power	30 A	
Supply Voltage Instrumentation	440 VAC 60 Hz	
Current Consumption Heating	4 A	



### SURVEY

- VERIPOS ULTRA AND STANDARD DGPS POSITIONING COMPLETE WITH VERIFY QC SOFTWARE
- EIVA INTEGRATED SURVEY, POSITIONING, ACQUISITION AND PROCESSING
- INTERFACES TO VESSEL USBL, HEADING AND ATTITUDE SENSORS
- INTERFACES TO ROV SENSORS
- PURPOSE BUILT ONLINE & OFFLINE SURVEY AREA
- DISTRUBUTION OF URBAY DISPLAYS AT KEY DESKS