

Thermal Store

Buffer tank with 90° and 180° flange connections



APPLICATION

Efficient storage of heating hot water mostly using biomass, heat pumps or solar thermal energy sources.

MATERIAL

Mild steel construction with exterior paint. No anti-corrosion treatment required due to the buffer's closed circuit system.

TECHNICAL DESCRIPTION

Used to improve flexibility of pellets, stoves and burners. PUFFER FLANGED are used in units with a typically discontinuous energy source such as biomass boiler and solar thermal system.

PUFFER FLANGED have been conceived for medium/large biomass heating plants where flanged connections are required.

PUFFER FLANGED have reduced height for maximum installation flexibility.

INSULATION

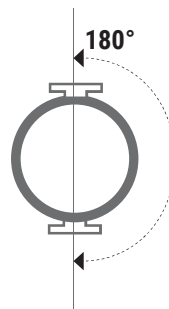
NOFIRE® polyester fleece 100% made of recyclable material, with high thermal insulation. Fire resistance class B-s2d0 according to EN 13501. Grey PVC external lining.

WARRANTY

5 years - See general sales conditions and warranty

ACCESSORIES AND SPARE PARTS

See Accessories section for the entire list.



NGIATI VC (180°)

DISMOUNTABLE SOFT FLEECE

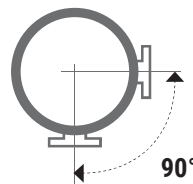
Model	insulation	Art. Nr.
2500		3251162282680
3000		3251162282681
4000		3251162282682
4500		3251162282683
5000		3251162282684
6000		3251162282685
8000		3251162282686
10000		3251162282620
12000		3251162282621
20000		3251162282697



PUFFER FLANGIATI VC (90°)

DISMOUNTABLE SOFT FLEECE

Model	insulation	Art. Nr.
2500		3251162282690
3000		3251162282691
4000		3251162282692
4500		3251162282693
5000		3251162282694
6000		3251162282695
8000		3251162282696
10000		3251162282622
12000		3251162282623
20000		3251162282698



STORAGE

Pmax	Tmax
3 bar	99 °C



180° flanged connections

- A' Heating delivery

- A Heating delivery/from generator

- B Connection for instrumentation 1/2" F

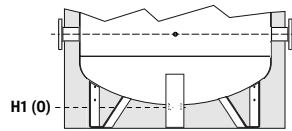
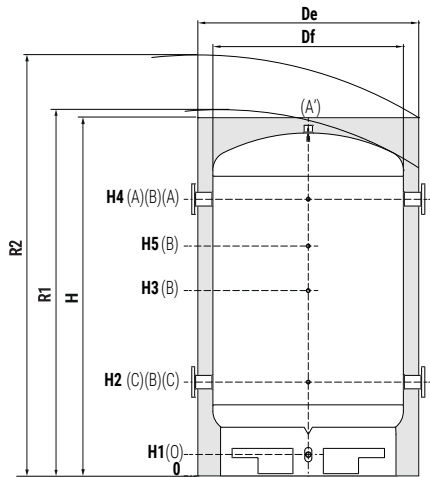
- C Heating return/to generator

- I Connection for electric immersion heater

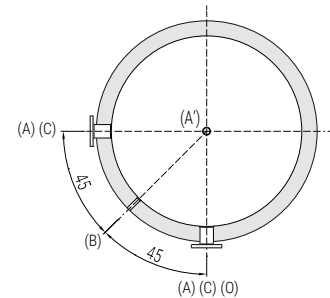
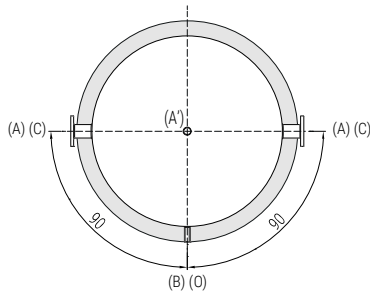
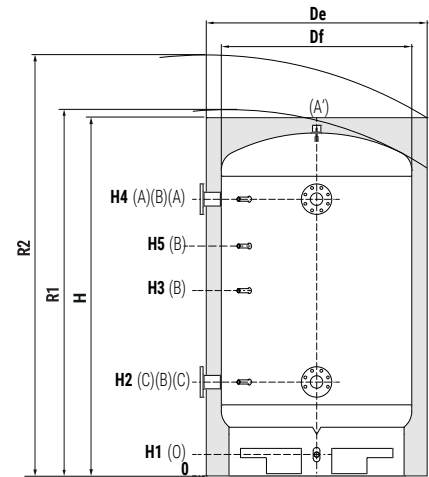
- O Drain



90° flanged connections



Standard supporting feet for models > 8000



P.E.D. product designed and produced in conformity to the article 4.3 of directive 2014/68/UE - ErP Ecodesign directive 2009/125/CE

Model	Volume [lt]	Df	De	H	R1	R2	H1	H2	H3	H4	H5	Connections F		
		[mm]											A - C	A'
2500	2306	1250	1450	2351	2460	2770	140	616	1216	1816	//	PN16 DN80	1 1/2"	1"
3000	3017	1500	1700	2180	2375	2770	109	640	1115	1590	//	PN16 DN80	2"	1"
4000	3986	1600	1800	2456	2655	3050	95	646	1246	1846	//	PN16 DN80	2"	1"
4500	4411	1800	2000	2230	2560	3000	89	655	1130	1605	//	PN16 DN80	2"	1"
5000	5042	1800	2000	2480	2755	3190	89	675	1255	1835	//	PN16 DN100	2"	1"
6000	5672	1800	2000	2730	2985	3390	89	675	1380	2085	//	PN16 DN100	2"	1"
8000	7564	1800	2000	3480	3665	4020	89	675	1705	2835	//	PN16 DN100	2"	1"
10000	10455	2200	2200	3916	4180	4500	191	826	1636	3256	2446	PN16 DN100	2"	2"
12000	12010	2200	2200	4461	4650	4980	191	826	1803	3756	2779	PN16 DN100	2"	2"
20000	19984	2400	2600	5060	5240	5695	140	840	1990	3140	4290	PN16 DN100	2"	2"