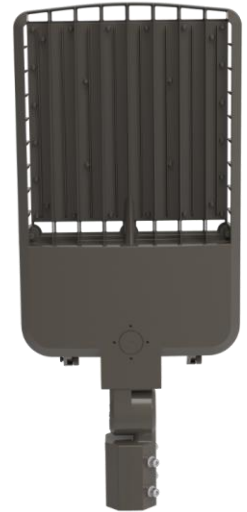


TECHNICAL DATA SHEET



LED Parking Lot Light

Model: SZ-PK300W-H1-5000K

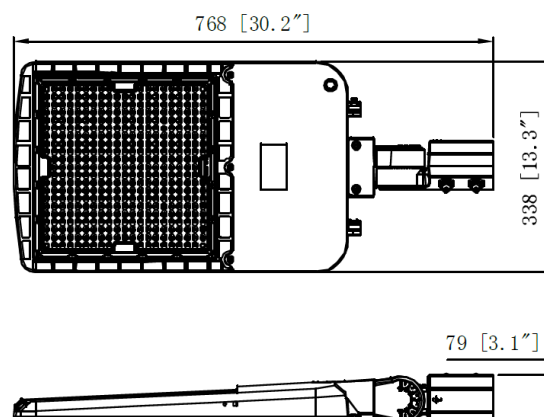
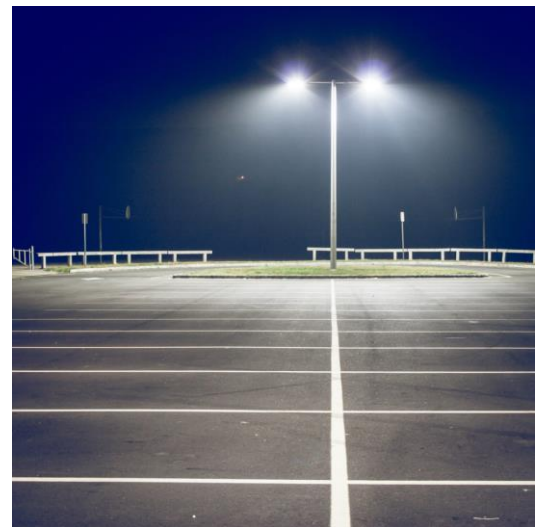
Advantage:

- UL&DLC certificate
- 2835 Chip, high CRI
- Input voltage 120-277VAC
- No UV or IR in the beam
- Easy to install and operate
- Energy saving, long lifespan
- Light is soft and uniform, safe to eyes
- Instant start, NO flickering, NO humming
- Green and eco-friendly without mercury.

Application:

Outdoor basketball court, tennis court.
Badminton court, the football field.
The school playground, stadium.
Community leisure entertainment plaza,
road lamp etc.

Unit: mm



TECHNICAL DATA SHEET

Product Specifications

Product Name	LED parking lot light
Model	SZ-PK300W-H1-5000K
Dimension	768*338*79mm

Technical Characteristic

Color temperature	5000K
CRI	>80
Lumen	39000LM
Lumen Efficacy	130LM/W
Input Power	300W
Viewing Angle	Type III
Input Voltage	120-277V 50/60Hz
Driver model	China Brand Driver, (0-10Vdc Dimmer, Surge-protective 6KV)
Mounting Option	Slip Fitter
PF	>0.9
Waterproof Rating	IP65

Materials

LED Type	2835
LED QTY	420PCS
Housing	Aluminum(ADC12) +PC
Housing color	Brown
Operating Temperature	-40°C TO 45°C
Operating Humidity	10%-90% RH
Storage Temperature	-40°C TO 80°C

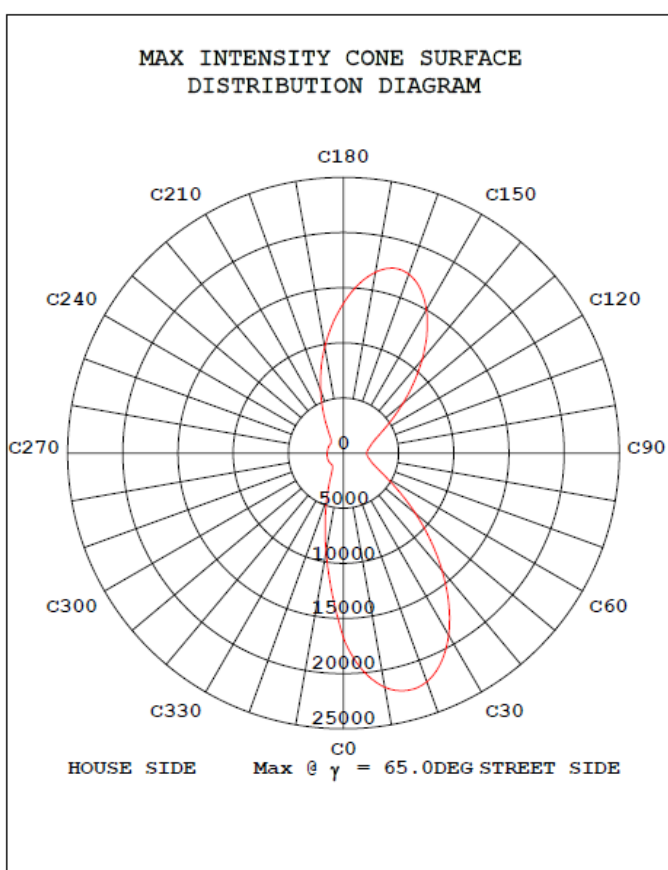
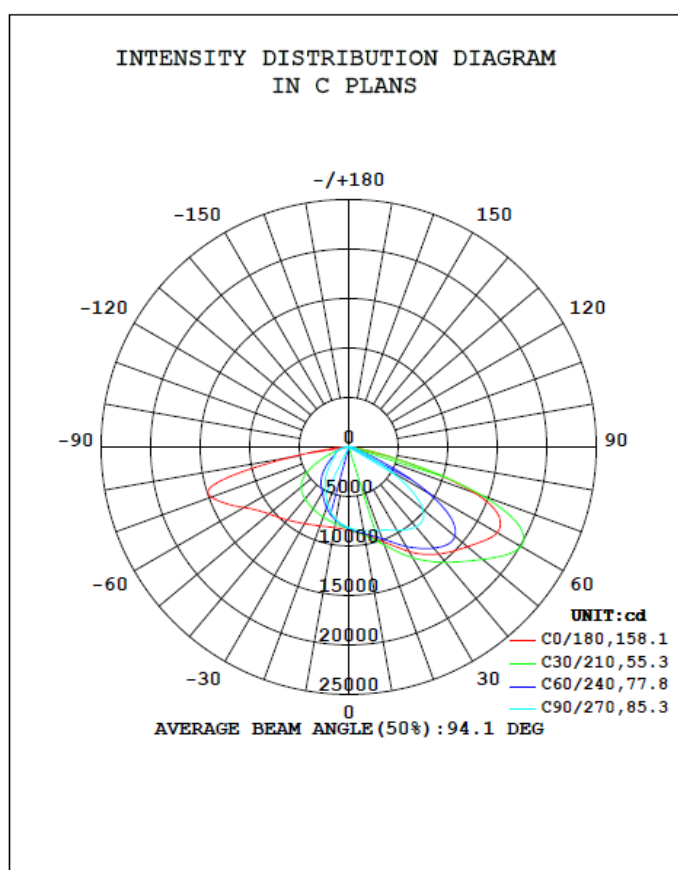
Other

Storage Humidity	10%-95%
Application	Outdoor
Safety Certification	UL&DLC
Warranty Time	5 Years

TECHNICAL DATA SHEET

Light Distribution Testing Parameters

DATA OF LAMP		PHOTOMETRIC DATA Eff: 133.18 lm/W			
MODEL	SZ-PK300W	I _{max} (cd)	22267	η street_up (%)	0.6
NOMINAL POWER (W)	300	LOR (%)	100.0	η street_down (%)	66.4
RATED VOLTAGE (V)	120	TOTAL FLUX (lm)	39615	η house_up (%)	0.7
NOMINAL FLUX (lm)	39614.8	MAXIMUM @ (C, γ)	15, 65.0	η house_down (%)	32.3
LAMPS INSIDE	1	η up (%)	1.3	76 FLASHAREA (m ²)	
TEST VOLTAGE (V)	120	η down (%)	98.7	SLI	



Package

Model	Net Weight	Carton Size	Qty / Carton	Gross Weight
SZ-PK300W-H1-5000K	5.9KG	804*378*132mm	1 PC	7KG