

LED CCT DownLight

Features :

- Replaces legacy CFL, HID or incandescent down lights.
- UL, ES certified.
- Provides comfortable diffused light with no dark spots.
- Dimmable to 10% with a wide array of dimmers.
- CCT selectable version optional
- High efficiency LM80 SMD LEDs.
- Designed for 50,000 hours lifetime.



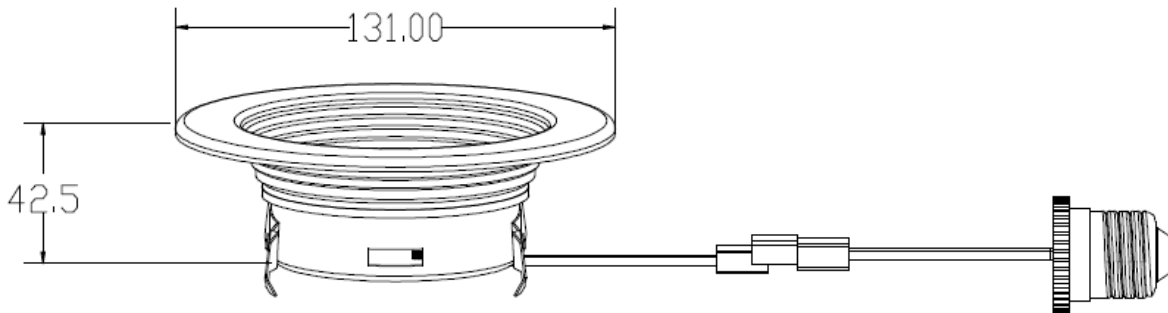
Application:

- ◆ Residential.
- ◆ Property management.
- ◆ Office, Multi-family.
- ◆ Hospitality, Healthcare etc..



LED CCT DownLight

Product Dimension:



Specifications

LED CCT DownLight

Model:	SZ-DL9W4-SP (3CCT) (DL)
Wattage:	9W
Size:	4 inch
CCT Selectable:	2700K-5000K
CRI:	80
Beam Angle:	120°
Lumens:	>700LM
PF:	>0.9
Driver:	120V 50/60Hz Triac dimming

Package

Size	Qty/Carton	Gross Weight
32.5*29*32cm	24	Kg

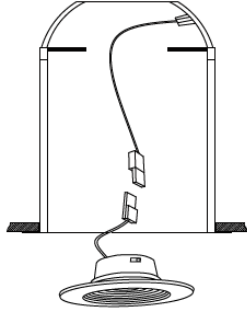
LED CCT DownLight

Installation instructions

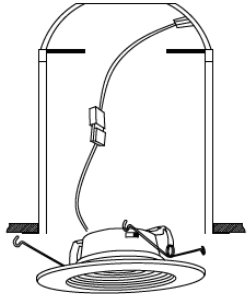
LED Down Light

EASY INSTALLATION 1 (EITE EZ CONNECT HOUSING)

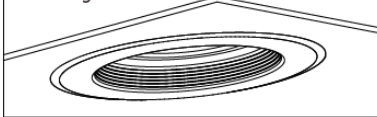
1. EZ Connect housing, then connect the terminals



2. Attach the torsion springs to the brackets of the recessed can



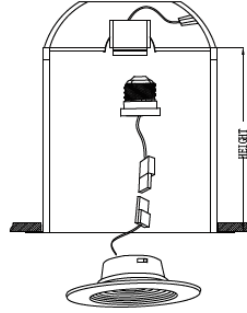
3. Insert the LED Rertofit Kit into the recessed housing unit



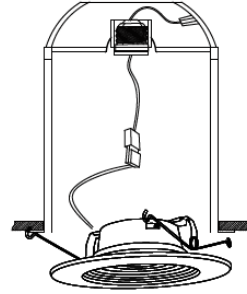
LED Down Light

EASY INSTALLATION 2 (WITH STANDARD SOCKET HOUSING)

1. Install the adapter, then connect the terminals



2. Attach the torsion springs to the brackets of the recessed can



3. Insert the LED Rertofit Kit into the recessed housing unit

