

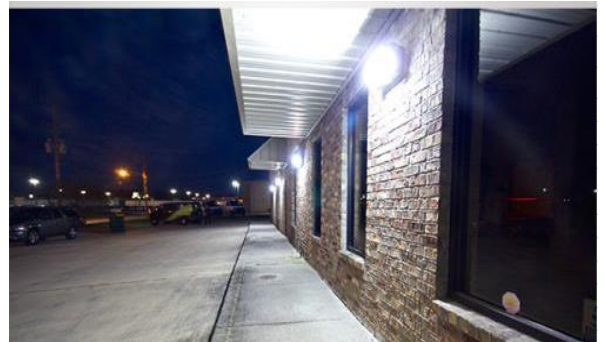


LED Wall Pack

Model : SZ-WP150WA-5700K

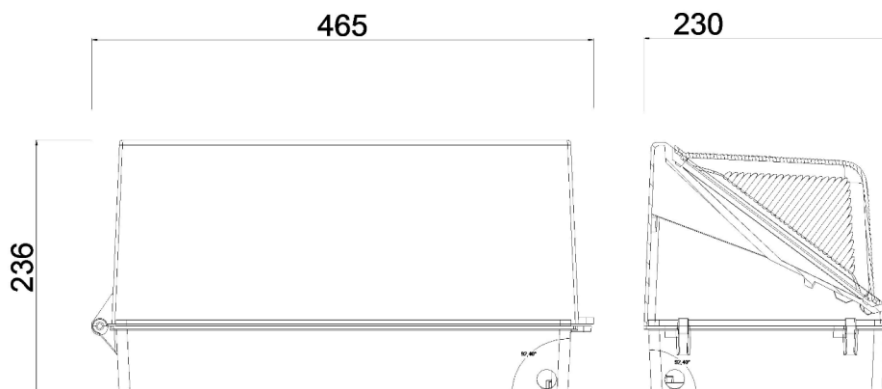
Advantage:

- UL certificate;
- IP65 Internal driver,
- Input voltage 100-277VAC;
- No UV or IR in the beam;
- Easy to install and operate;
- Energy saving, long lifespan;
- Light is soft and uniform, safe to eyes;
- Instant start, NO humming;
- Green and eco-friendly without mercury.



Application:

Entrance lighting, courtyard lighting;
Industrial lighting, Outdoor landscape lighting;
Building, The hotel;
Wall lighting area and so on.



Specifications

Product name	LED Wall Pack
Part No	SZ-WP150WA-5700K
Dimension	465*236*230mm

Technical Characteristic

Color temperature	5700K
Lumen	18000-20250LM
Lumen Efficacy	120-135 LM/W
Input Power	150W
Viewing Angle	110 Degree
Input Voltage	100-277VAC 50/60Hz
Driver model	China Brand Driver
PF	>0.9
Waterproof Rating	IP65

Materials

LED Type	3030/1.5W
LED QTY	380 PCS
Housing	Aluminum(ADC12) +PC
Housing color	Brown

Others

Operating Temperature	-20℃ TO 45℃
Operating Humidity	20%-90% RH
Storage Temperature	-30℃ TO 80℃
Storage Humidity	10%-95%
Application	Outdoor / Indoor
Safety Certification	UL
Warranty Time	5 Years

Light Distribution Testing Parameters

Luminaire Property

Luminaire Manufacturer:
Voltage: 120.5 V
Power: 151.30 W

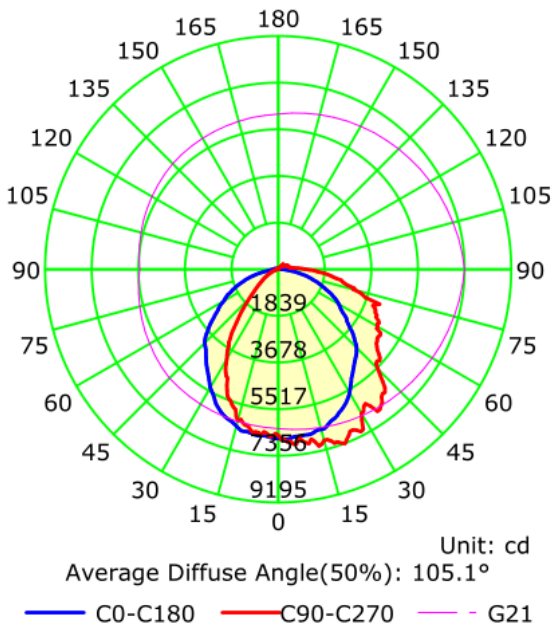
Current: 1.259 A
Power Factor: 0.997

Photometric Results

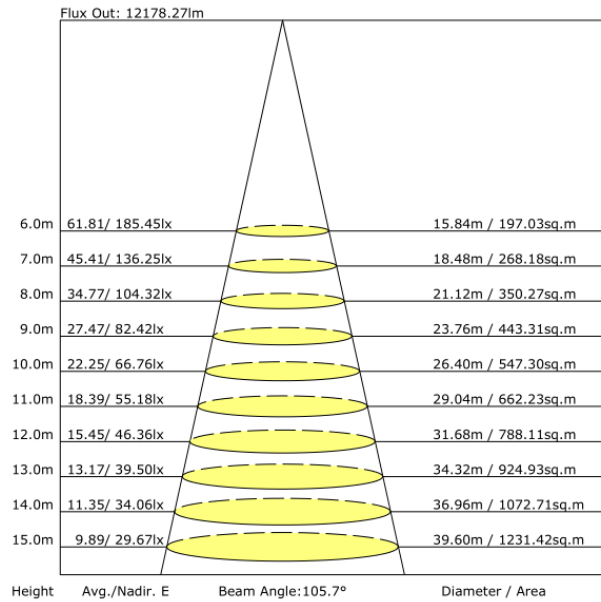
IES Classification: Type IV
Total Rated Lamp Lumens: 18853.9 lm
Efficiency: 100%
Upward Ratio: 4%
Central Intensity: 6676.24 cd
Pos of Max. Intensity: H90 V21

Longitudinal Classification: Very Short
Measurement Flux: 18853.9 lm
Downward Ratio: 96%
Luminaire Efficacy Rating (LER): 124.66
Max. Intensity: 7356.23 cd

Luminous Intensity Distribution Curve



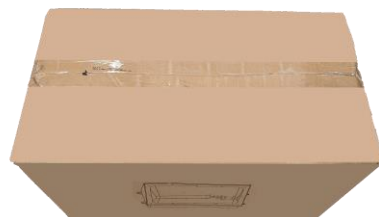
The Average Illuminance Effective Figure



Package

Lamps Net Weight: 4.7kg / pcs

Model	Size	Qty/ Carton	Weight/ Carton
SZ-WP150WA-5700K	490*270*280mm	1	5.4 KG



Notice For User

Please turn off power before install or change assembly parts.

The input voltage and lamps should be matched, after connecting the power line,

Please make sure the wiring section is insulated.

No-professionals, must not install and disassemble the lamps.

Trouble Shootings

Troubles	Check points
Flickering of the light	Turn off the power and turn on again in 3 minutes. If same phenomena occur, then call agencies
Out of working	Please check the connection