

# HM-12RGB10A3-EX Specification



## Forward

Thanks for using our Power Repeater. Before using this product, please read this manual carefully and check if there's any defect during transportation before use, if so please don't use and inform your supplier immediately.

## After-Sales

From the day you purchase our products within a year, if being used properly in accordance with the instruction, and quality problems occur, we provide free repair or replacement services except the following cases:

1. Any defects caused by wrong operations.
2. Any damages caused by unauthorized removal, maintenance, modifying circuit, incorrect connections and replacing chips.
3. Any damages due to transportation, breaking, flood after the purchase.
4. Any damages caused by earthquake, fire, flood, lightning strike etc force majeure of natural disasters.
5. Any damages caused by negligence, inappropriate storing at high temperature and humidity environment or near harmful chemicals.
6. Product has been updated.

## Safety warnings

In order to ensure the integrity of the state and use of safe, please follow the instructions on this manual and remind

1. Please don't install this dimmer in lightening, intense magnetic and high-voltage fields.
2. To reduce the risk of component damage and fire caused by short circuit, make sure correct connection
3. Always be sure to mount this unit in an area that will allow proper ventilation to ensure a fitting temperature.
4. Check if the voltage and power adapter suit the dimmer
5. Don't connect cables with power on, make sure a correct connection and no short circuit checked with instrument before power on.
6. Please don't open dimmer cover and operate if problems occur.

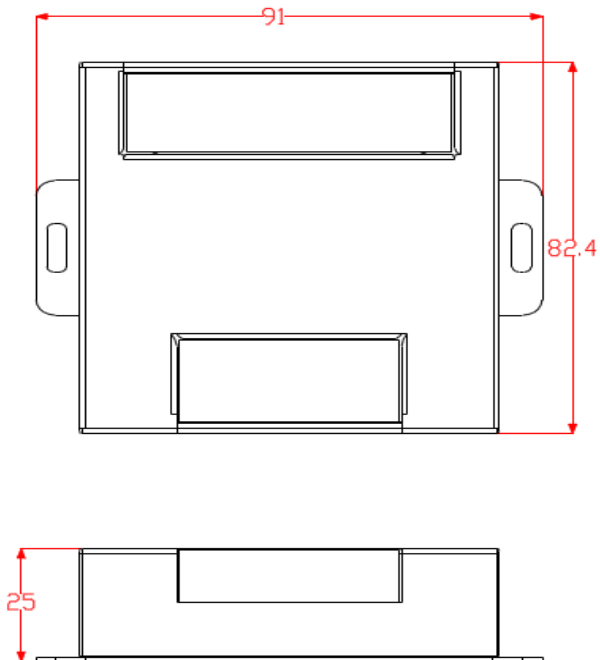
## Features

- For the power of synchronous change signal amplification
- High power of each output
- High-speed process data, no delay, no flicker
- Acceptable PWM control
- DC12-24V wide voltage input
- 3 Channel RGB control, 10A per channel
- Applicable any LED module

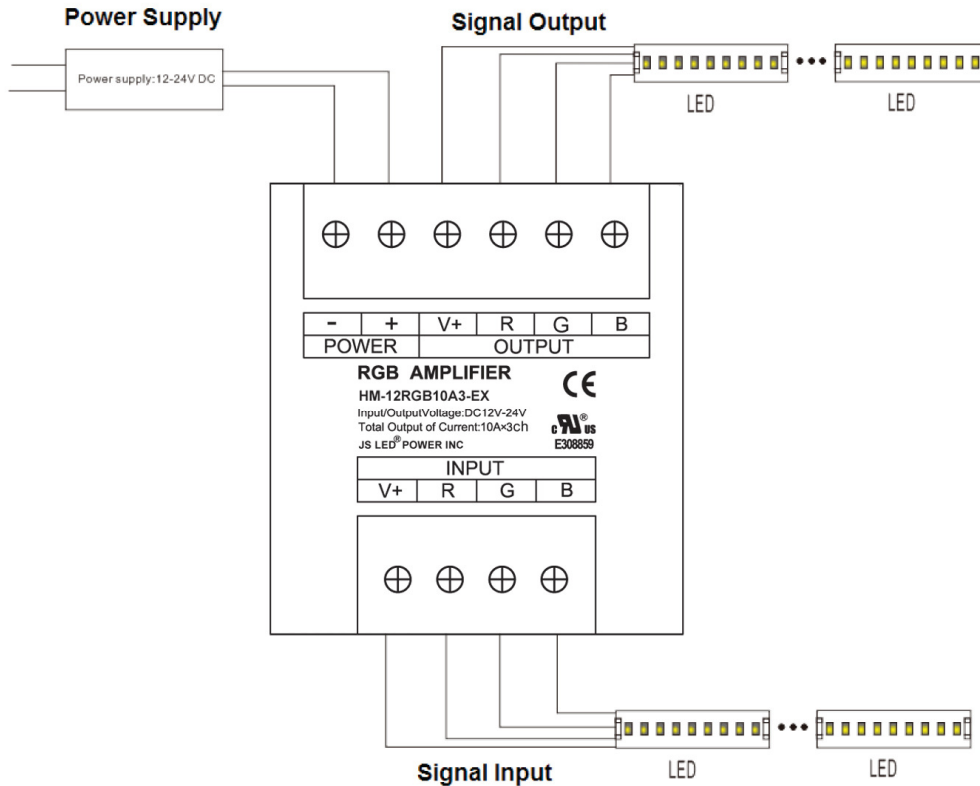
## Technical parameters

|                  |                             |
|------------------|-----------------------------|
| Input voltage    | DC12V~24V                   |
| Signal output    | RGB                         |
| Max Load current | 10A/CH*3CH                  |
| Output power     | 360W max(12V) 720W max(24V) |
| Controller size  | L82.4*W91*H25 mm            |
| Package size     | L84*W93*H27 mm              |
| G.W.             | 224g                        |

## Dimension



## Wiring diagram



## Troubleshooting Guide

| Problem               | Reason   | Solution   |
|-----------------------|--|--|
| No light              | <ol style="list-style-type: none"> <li>1. Switching power supply without power;</li> <li>2. Invert "+" and "-" of power supply</li> <li>3. Wrong connection or not strong</li> <li>4. LED lamp bad</li> </ol>                    | <ol style="list-style-type: none"> <li>1. Check the switching power</li> <li>2. Corrected</li> <li>3. Check wiring</li> <li>4. Replace LED lamp</li> </ol>                                       |
| LED uneven brightness | <ol style="list-style-type: none"> <li>1. The output line is too long with voltage drop</li> <li>2. The wire diameter is too fine with voltage drop</li> <li>3. Power load is too large</li> <li>4. Repeater overload</li> </ol> | <ol style="list-style-type: none"> <li>1. Shorten the line or ring power supply</li> <li>2. Replace coarse wire</li> <li>3. Replace larger Power</li> <li>4. Increase power expander;</li> </ol> |

Notice: Switch power supply effective power is power supply 80% of the mark, so the user select the power a little higher than the load power of LED light, at least more than 20% .