

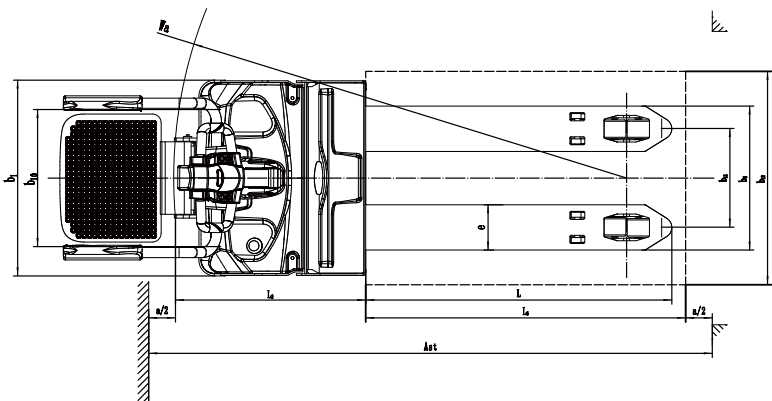
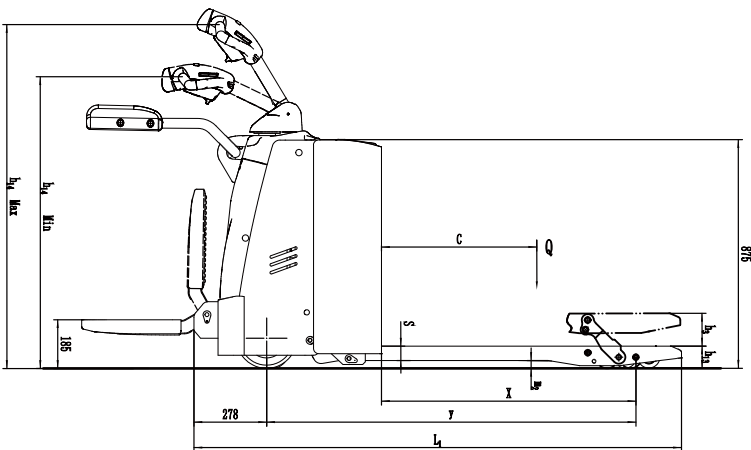
# Dyna Lift



## DYNA20-20RAS



Electric Pallet Truck 2.0t



# Electric Pallet Truck 2.0/2.5t

## DYNA20-20RAS/DYNA20-25RAS

Distinguishing mark							
1.1	Manufacturer			DYNA		DYNA	
1.2	Model designation			DYNA20-20RAS		DYNA20-25RAS	
1.3	Drive unit			Electrics		Electrics	
1.4	Operator type			standing		standing	
1.5	rated capacity	Q	kg	2000		2500	
1.6	Load center distance	c	mm	600		600	
1.8	Load distance	x	mm	916 / 982	937 / 1003	916 / 982	937 / 1003
1.9	Wheelbase	y	mm	1418	1438	1418	1438
Weight							
2.1	Service weight (include battery)		kg	610		630	
2.2	Axle loading, laden driving side/loading side		kg	1006 / 1604		1116 / 2014	
2.3	Axle loading, unladen driving side/loading side		kg	506 / 104		516 / 114	
Types,Chassis							
3.1	Tyre type driving wheels/loading wheels			Polyurethane / Polyurethane		Polyurethane / Polyurethane	
3.2	Tyre size, driving wheels (diameter×width)		mm	Φ230x75		Φ230x75	
3.3	Tyre size, loading wheels (diameter×width)		mm	Φ85x70 / Φ83x115		Φ85x70 / Φ83x115	
3.4	Tyre size, caster wheels (diameter×width)		mm	Φ130x60		Φ130x60	
3.5	Wheels, number driving, caster/loading (x=drive wheels)		mm	1 x +2 / 4 / 1 x + 2 / 2		1 x +2 / 4 / 1 x + 2 / 2	
3.6	Track width, front,driving side	b <sub>10</sub>	mm	510		510	
3.7	Track width,rear,loading side	b <sub>11</sub>	mm	370 / 430 / 515		370 / 430 / 515	
Dimensions							
4.4	Lift height	h <sub>3</sub>	mm	125		125	
4.9	Height drawbar in driving position min./max	h <sub>14</sub>	mm	1150 / 1470		1150 / 1470	
4.15	Lowered height	h <sub>13</sub>	mm	85		85	
4.19	Overall length	l <sub>1</sub>	mm	1860	1930	1860	1930
4.20	Length to face of forks	l <sub>2</sub>	mm	710		710	
4.21	Overall width	b <sub>1</sub> / b <sub>2</sub>	mm	730		730	
4.22	Fork dimensions	s / e / l	mm	55 x 170 x 1150	55 x 170 x 1220	55 x 170 x 1150	55 x 170 x 1220
4.25	Distance between fork-arms	b <sub>5</sub>	mm	540 / 600 / 685		540 / 600 / 685	
4.32	Ground clearance, center of wheelbase	m <sub>2</sub>	mm	30		30	
4.34.1	Aisle width for pallets 1000 × 1200 crossways	Ast	mm	1984		1984	
4.34.2	Aisle width for pallets 800 × 1200 lengthways	Ast	mm	2184		2184	
4.35	Turning radius	Wa	mm	1700		1700	
Performance data							
5.1	Travel speed, laden/ unladen	km/ h	km/h	5.5 / 6		5.5 / 6	
5.2	Lifting speed, laden/ unladen		m/ s	0.023 / 0.031		0.023 / 0.031	
5.3	Lowering speed, laden/ unladen		m/ s	0.043 / 0.032		0.043 / 0.032	
5.8	Max. gradeability, laden/unladen			8 / 16		6 / 16	
5.10	Service brake type			Electromagnetic		Electromagnetic	
Electric-engine							
6.1	Drive motor rating S2 60 min		kW	1.5		1.5	
6.2	Lift motor rating at S3 15%		kW	1		1	
Addition data							
8.1	Type of drive control			AC		AC	
10.5	Steering type			Electronic		Electronic	
10.7	Sound pressure level at the driver's ear			74		74	

- 1.The parameters in the table are of the standard model. For more information, please contact us.
- 2.The parameters are subject to change without notice.