



# NewTek **NDI-PTZ1**<sup>TM</sup>

IP Video Camera

Operating Instructions



Revised –September 21, 2018

Trademarks: NewTek, NewTek VMC1, NewTek VMC1 IN, NewTek VMC1 OUT, NewTek NC1, NewTek NC1 IN, NewTek NC1 I/O, TriCaster, TriCaster TC1, TriCaster Advanced Edition, TriCaster XD, TriCaster 8000, TriCaster TCXD8000, TCXD8000, TriCaster 860, TriCaster TCXD860, TCXD860, TriCaster 460, TriCaster TCXD460, TCXD460, TriCaster 410, TriCaster TCXD410, TCXD410, TriCaster Mini SDI, TriCaster Mini, TriCaster 40, TriCaster TCXD40, TCXD40, TriCaster 855, TriCaster TCXD855, TCXD855, TriCaster 455, TriCaster TCXD455, TCXD455, TriCaster EXTREME, TriCaster 850 EXTREME, TriCaster TCXD850 EXTREME, TCXD850 EXTREME, TriCaster 450 EXTREME, TriCaster TCXD450 EXTREME, TCXD450 EXTREME, TriCaster 850, TriCaster TCXD850, TCXD850, TriCaster 450, TriCaster TCXD450, TCXD450, TriCaster 300, TriCaster TCXD300, TCXD300, TriCaster PRO, TriCaster STUDIO, TriCaster BROADCAST, TriCaster DUO, MediaDS, MDS1, 3PLAY, 3Play, 3Play 3P1, 3Play 4800, 3PXD4800, 3Play 440, 3PXD440, 3Play Mini, 3Play 820, 3PXD820, 3Play 425, 3PXD425 3Play 330, 3PXD330, TalkShow, TalkShow VS 4000, TalkShow VS100, Network Device Interface, NDI, NewTek Connect, NewTek Connect Spark, NewTek IsoCorder, ProTek, ProTek Care, ProTek Elite, iVGA, SpeedEDIT, IsoCorder, LiveText, LiveGraphics Creator, LiveGraphics, DataLink, LiveSet, LiveGraphics, TriCaster Virtual Set Editor, Virtual Set Editor Advanced Edition, TriCaster VSE, TriCaster VSE Advanced Edition, LiveMatte, TimeWarp, VT, VT[3], VT[4], V[T5], Video Toaster, Toaster, Inspire 3D, 3D Arsenal, Aura, LightWave, LightWave 3D and LightWave CORE are trademarks, service marks, and registered trademarks of NewTek. All other brand names, product names, or trademarks belong to their respective holders.

# Table of Contents

SECTION 1 INTRODUCTION AND SETUP .....	1
1.1 Overview .....	1
1.2 Getting Ready .....	1
1.3 Making Connections .....	2
1.4 Web Configuration .....	2
1.4.1 Studio Monitor .....	3
1.4.2 Logging In .....	5
1.1 Video Source .....	6
1.1.1 Video Bandwidth .....	6
1.1.2 Pan, Tilt and Zoom .....	7
1.2 Audio Video Settings .....	7
1.3 Administration .....	8
1.3.1 Multicast .....	9
1.3.2 Network Settings .....	10
1.4 Tally .....	10
SECTION 2 REMOTE CONTROL & OSD .....	11
2.1 Remote Control .....	11
2.2 OSD Menu .....	12
SECTION 3 MOUNTING NDI-PTZ1™ .....	19
3.1 Preparation .....	19
3.1.1 Other Precautions .....	19
3.2 Ceiling Mounting .....	21
3.3 Removal .....	22
SECTION 4 ABOUT NDI® .....	23
4.1 A 'Video Internet' .....	23
4.2 NDI Benefits .....	24

4.3 NDI Virtual Input ..... 24

SECTION 5 END USER LICENSE AGREEMENT ..... 27

CREDITS ..... 37

## Section 1 INTRODUCTION AND SETUP

---



This section explains how to connect and configure your NewTek NDI-PTZ1™ camera. It also explains how to update the device, and where you can find additional NDI® software to extend your workflow. After completing this short section, you'll be all set to begin using your new camera.

### 1.1 OVERVIEW

---

Thank you for purchasing this NewTek™ product. NewTek is proud of its record of innovation and commitment to excellence in design, manufacture, and superb product support.

NewTek provides some of the most advanced live production tools available, and we are confident you will find them exceptionally powerful and versatile.



Your NewTek NDI-PTZ1™ camera delivers amazing functionality in a compact package. Prosumers and video professionals alike will appreciate the convenience and flexibility it provides in connection with video production and capture.

Unlike typical cameras, PTZ1 leverages the ground-breaking benefits of the NDI-based IP workflow supported by leading video software and hardware developers around the globe. This manual will assist you to install and configure your new product.

### 1.2 GETTING READY

---

Your NewTek NDI-PTZ1 device uses the NDI|HX™ protocol for audio/video transmission, and more.

Your first step will be to install NDI|HX drivers as appropriate for your computer platform or device:

1. Navigate to <http://new.tk/PTZ1Info> in your web browser, and follow the relevant directions to download and install NDI|HX drivers for your computer platform.

*NOTE: The NDI|HX driver also installs NewTek's NDI Studio Monitor application, which will not only display the output of your camera, but provide easy access to its settings. It even includes built-in PTZ controls.*

*NOTE: The End User License Agreement under which you use the NDI|HX driver specifies that "you may use up to five (5), and no more than five, copies on separate machines at one time."*

- Optional – for Microsoft Windows® users, downloading and installing the NewTek NDI Tools pack, available at no cost from <https://www.newtek.com/ndi>, will provide a very useful array of practical NDI learning tools and utilities.

## 1.3 MAKING CONNECTIONS

---



FIGURE 1-1

1. Connect the *power supply* line cord to an A/C power outlet, and insert the round power plug into the DC IN 12V socket located at left on the a/v connection panel (Figure 1-1). Push the power plug into the socket until it is firmly seated.

*Hint: Your NDI-PTZ1 supports the Power over Ethernet standard (IEEE802.3at). This allows you to skip the step above if your network supplies DC power by this means.*

2. Connect one end of a network cable to NDI-PTZ1's RJ-45 Ethernet port, marked NDI|HX. Connect the other end of the cable to your network switch or router, or a computer's Ethernet port.

At this point, two lights on the front of PTZ1's base illuminate as the camera performs a self-test. If this does not happen, check your connections and retry. After a few moments, the standby light will go out, leaving only the power light on.

*Hint: These front panel lights do dual duty, serving as Tally lights as discussed later.*

Your NewTek NDI-PTZ1 is already sending NDI audio and video to your local network. We'll talk about how to access it soon, but first let's discuss how to manage configuration settings and options.

## 1.4 WEB CONFIGURATION

---

NewTek NDI-PTZ1 is very easy to configure. In many installations, all you need to do is supply power, connect a video source and your network, and you're ready to go.

Sometimes, though, you will want to access its settings, perhaps to configure login credentials, adjust color balance, and so on.

*Note: As web browsers vary widely, you may occasionally find it necessary to delete cached files (sometimes referred to as the browser's "history") before the display refreshes to properly show some recent change. This can happen, for example, after a firmware update.*

These settings are made available by means of a configuration webpage, which you can access from any suitable device (i.e., one with a web browser) on the same network.

---

*KEEP READING TO LEARN HOW TO ACCESS YOUR CAMERA'S WEBPAGE.*

---

Some devices provide direct, easy access to PTZ1's configuration webpage.

For example, when you select its NDI output as the source for a NewTek TriCaster® input, a convenient "Configure" button is shown. Simply click it to open PTZ1's web control page.

---

#### 1.4.1 STUDIO MONITOR

---

For other platforms, you can use the Studio Monitor application you installed along with the NDI|HX driver back in Section 1.2.

- Windows platform users can launch Studio Monitor from the Start menu or App list (Figure 1-2), where it will appear in the NewTek NDIHX Driver folder.
- OS X users will also find a new Studio Monitor application available to them after installing the NDI|HX driver for their platform.

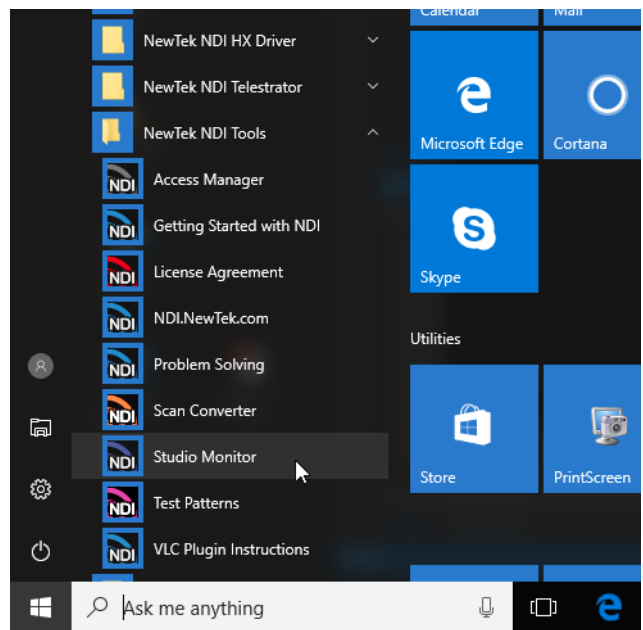


FIGURE 1-2

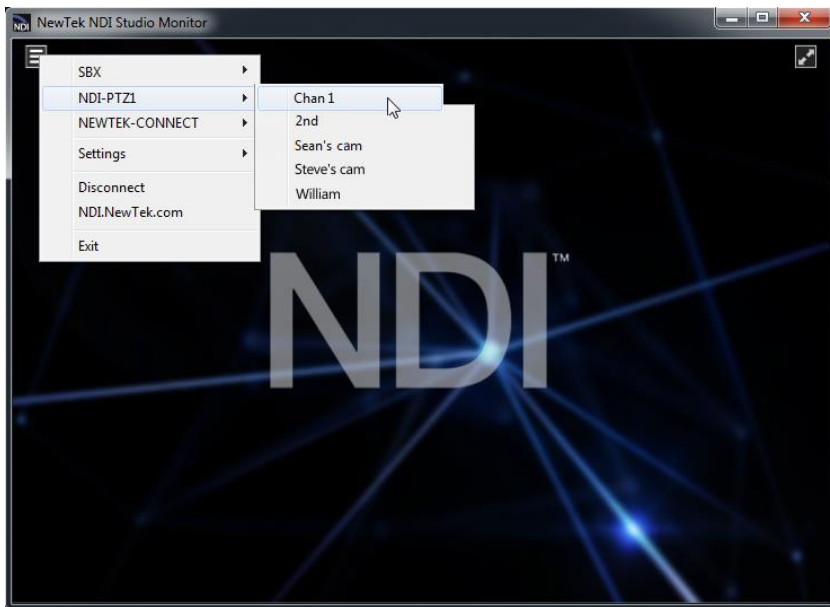


FIGURE 1-3

Among its capabilities, Studio Monitor (see Figure 1-3, which shows the Windows version of the application) detect and display any NDI or NDI|HX sources available on your network.

#### LOCATING YOUR CAMERA ON THE NETWORK – WINDOWS™

1. Having launched Studio Monitor, click the small menu gadget ('hamburger') at upper left to open the application menu. Among other things, this menu displays all NDI sources detected on your network.
2. Shortly, you should see a new main entry named NDI-PTZ1 listed in the menu. Rolling the mouse pointer over this label shows the individual names for the NDI output channels of any NDI-PTZ1 cameras detected on the network.

*Hint: Detection of newly-connected NDI sources can take a few moments; in network settings with a great number of NDI sources available, a complete refresh of the source list can take a minute or even more.*

*When the sub-menu lists multiple NDI channels with the same name, the device IP address is shown to further identify them. (NDI users seldom need to bother with mundane matters such as IP addresses. 😊)*

Select the newly listed channel for the camera you wish to configure. In a few moments, its NDI video output will appear in the Studio Monitor window.



FIGURE 1-4

3. For NDI sources (like PTZ1) that supply a configuration web page, Studio Monitor displays a small configuration (gear) icon at lower right when you roll the mouse pointer over it window – Figure 1-5.

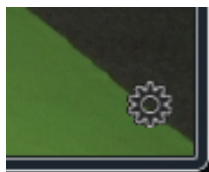


FIGURE 1-5



4. Click the gear to open PTZ1's web page, popping up a request for you to enter login credentials.

**Note:** The Microsoft Edge™ web browser is not fully supported at this time. On Windows platforms, please use another modern web browser or Internet Explorer™.

#### LOCATING YOUR CAMERA ON THE NETWORK – OS X™

The process is very similar for OS X users.

1. Having launched the Studio Monitor application, use the File menu to locate a new main entry named NDI-PTZ1. Rolling the mouse pointer over this label shows the individual names for the NDI output channels of any PTZ1 cameras detected on the network.

*Hint: Detection of newly-connected NDI sources can take a few moments; in network settings with a great number of NDI sources available, a complete refresh of the source list can take a minute or even more.*

*When the sub-menu lists multiple NDI channels with the same name, the device IP addresses are shown to further identify them. (NDI users seldom need to bother with mundane matters such as IP addresses. 😊)*

Select the newly listed channel for the camera you wish to configure. In a few moments, its video output will appear in the Studio Monitor window.

2. The Studio Monitor application's Settings menu shows an option near the bottom that lets you open the Device Webpage in your system web browser. Select this item, and continue as follows.

#### 1.4.2 LOGGING IN

**Note:** If you were unable to detect your camera using the methods described above, refer to the sub-heading Network Settings in Section 1.3.2 for details of an alternative way to locate it on the network.

1. Enter the User Name "admin" and the default Password - also "admin".

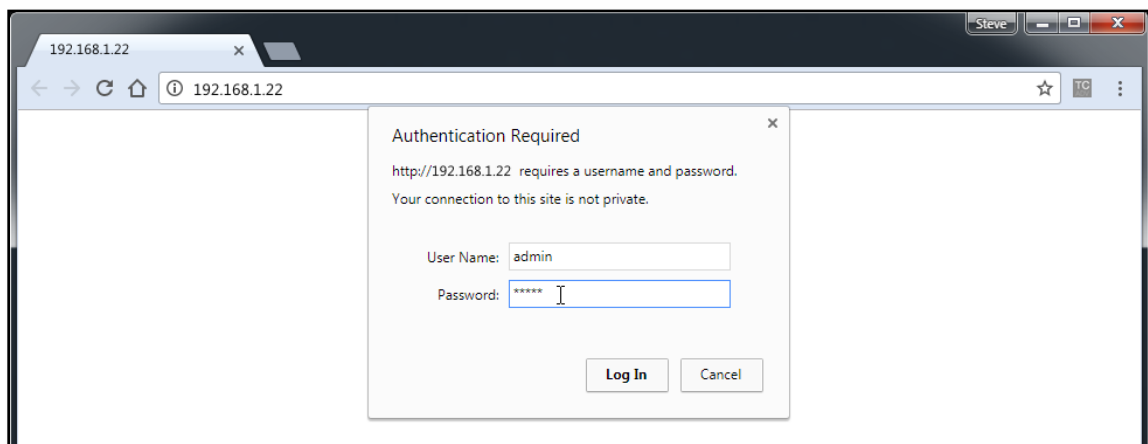


FIGURE 1-6

## 1.1 VIDEO SOURCE

After logging in, your camera's options and controls are shown in your web browser (Figure 1-7).

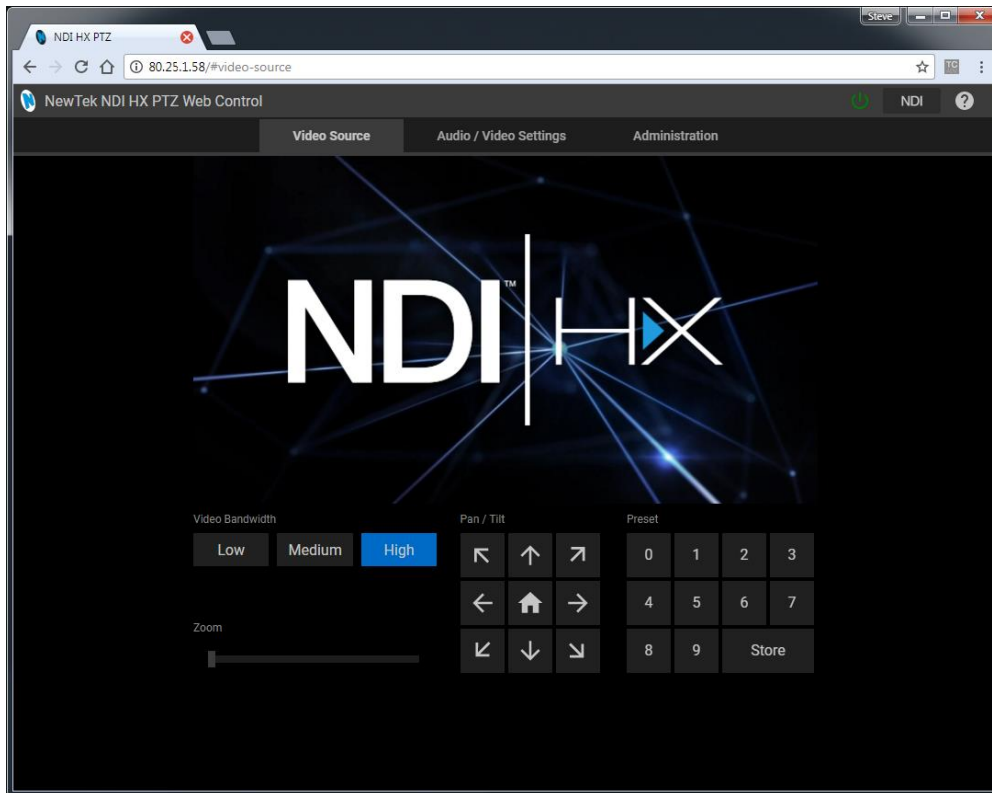


FIGURE 1-7

The first tab shown on this web page is labeled Video Source. At the time of writing, a placeholder image substitutes for the 'monitor' on the web page. Below this, you will see:

- Video Bandwidth buttons
- Live Pan, Tilt, and Zoom controls
- Preset buttons

*Hint: Studio Monitor provides an excellent alternative to almost all of the settings on this first tab.*

### 1.1.1 VIDEO BANDWIDTH

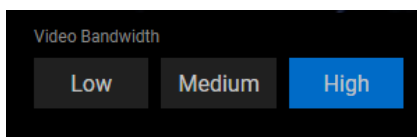


FIGURE 1-8

Video Bandwidth controls (Figure 1-8) allow you to select between the default High bandwidth output, or Medium and Low reduced bandwidth options which, dependent on your network throughput capabilities and other traffic, or size of the image required to display on the receiver, may work better for you.

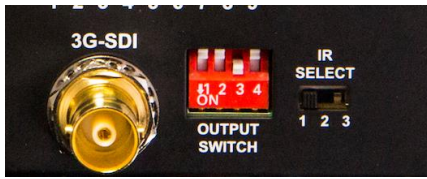


FIGURE 1-9

The highest Video Bandwidth setting outputs the same video format as you have selected using the Output DIP switches, located near the 3G-SDI connector on the camera’s connector panel.

**NOTE:** The various DIP switch configurations for different output formats are depicted on a sticker on the underside of PTZ1’s pedestal base. Typically, you might choose something like 1080p/59.94, or 1080p/50.

From left to right, the other Bandwidth options correspond to SD and 720P output formats.

### 1.1.1.2 PAN, TILT AND ZOOM



The Pan, Tilt controls and Zoom slider work much as you would expect.

Likewise the neighboring preset buttons are easy to use.

Simply click Store followed by a numbered Preset button to store the current PTZ1 position; click the numbered Preset button along to send the camera to the stored position.

FIGURE 1-10

## 1.2 AUDIO VIDEO SETTINGS

Click the second web page tab to reveal more advanced Audio/Video Settings (Figure 1-11).

Expanding the Video Settings control group shows additional nested tabs with various Exposure, Picture, White Balance, and Focus options.

A little lower on the page, you can expand the Audio Settings control group (Figure 1-12).

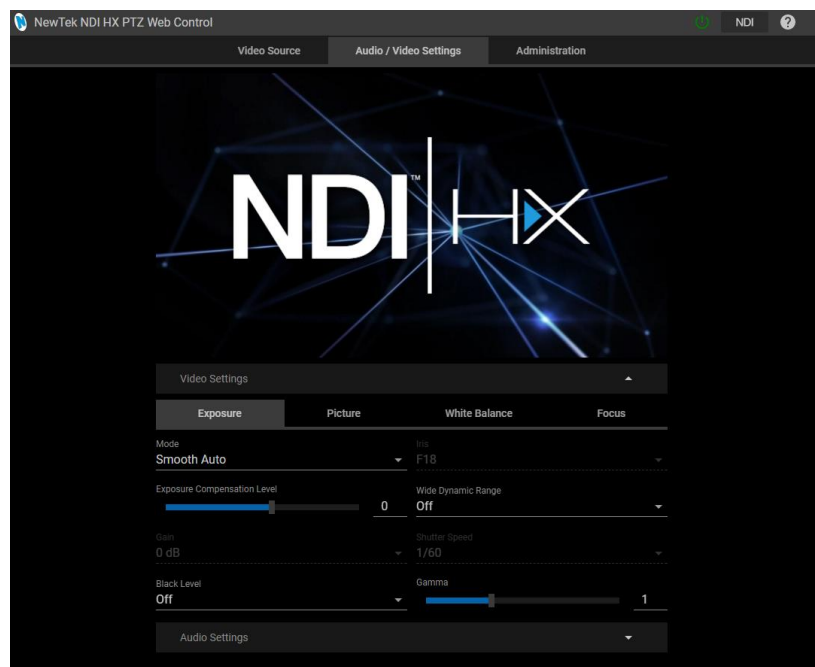


FIGURE 1-11

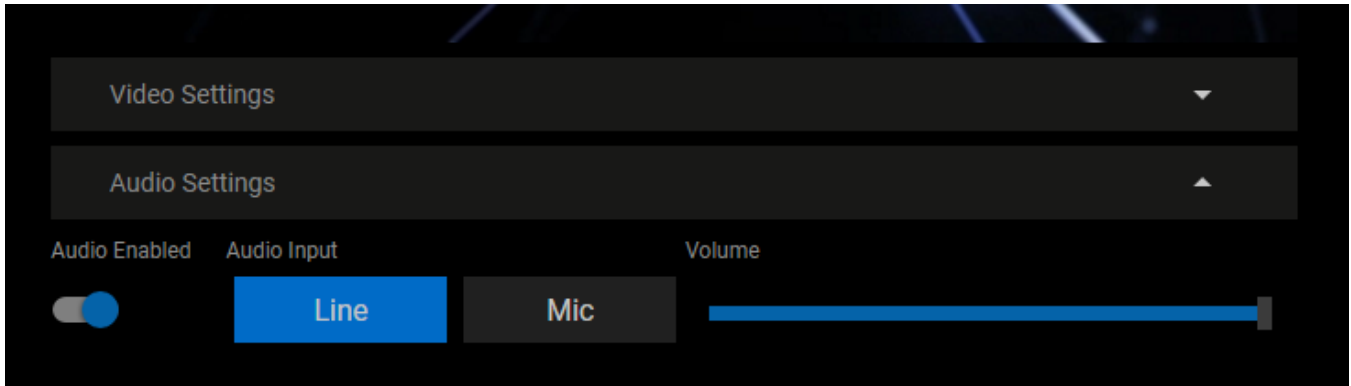


FIGURE 1-12

This group includes Audio Input level buttons labeled Line and Mic, along with the Volume slider. The switch at left allows you to completely disable audio output.

### 1.3 ADMINISTRATION



FIGURE 1-13

The third tab on the configuration web page is labeled Administration. Here you will find information and settings related to your camera, and its network connection.

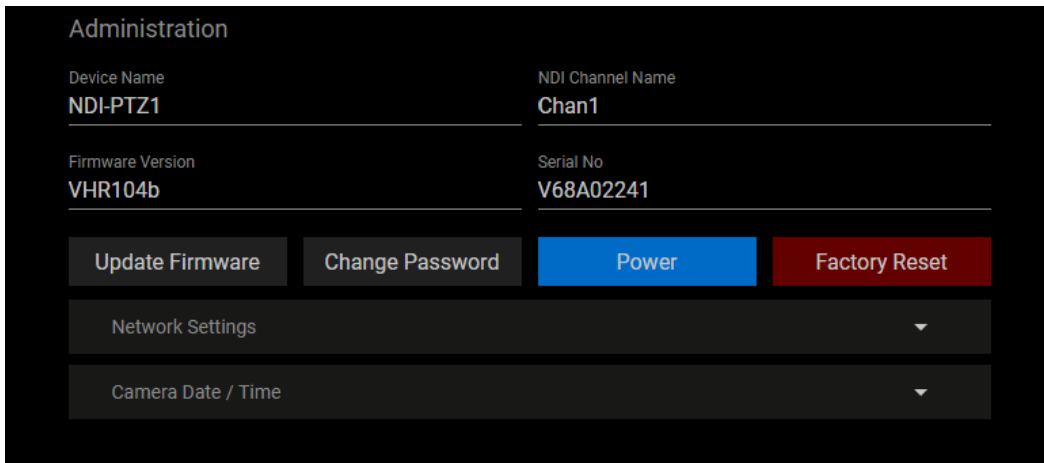


FIGURE 1-14

The uppermost section of this tab displays the Device Name and NDI Channel Name fields, which determine how your camera is identified on your NDI network. These names are editable, allowing you a convenient way to make identify the output of specific cameras to other NDI-enabled devices and systems connected downstream.

You will also see the Hardware and Firmware versions for your camera displayed in this area, along with its unique serial number. Buttons just below allow you to update the installed firmware, modify the default network password, or to power the device down ('sleep').

---

### 1.3.1 MULTICAST

---

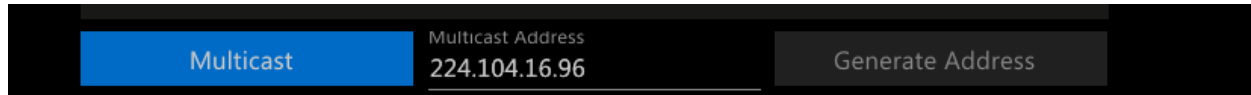


FIGURE 15

Click Multicast to transmit video using multicast, rather than the default unicast method. A suitable Multicast address is generated, but you can edit the result manually if you need to. To update the address to another random value, click Generate Address. *Please take time to consider the following information before enabling this feature.*

#### MULTICAST OR UNICAST?

Multicast can seem like a bandwidth-saving miracle. Unlike NDI's default mode (unicast), multicast does not require a unique stream from the source to each receiver. When using unicast, each connection to the sender reduces the bandwidth available by a similar amount.

By contrast, multicast connections do *not* add significantly to the bandwidth required as connections multiply. You could be forgiven for wondering why anyone would ever turn this option off - yet, it is off by default. Why?

This is because multicast requires more careful network configuration. While you might not notice any issues in a simple network setting; a poorly configured environment can have serious impact on more complex networks.

- Specifically, it is essential that IGMP snooping be enabled for each switch on the network. This lets the device listen to traffic between other hosts, switches and routers, and identify receiving ports using various IP multicast streams.
- In addition, we strongly recommend that all network switches be of the 'managed' type (see the sidebar "Managed vs. Un-managed").

#### Managed vs. Unmanaged

An un-managed (a.k.a., 'dumb') network switch will cause a multicast stream to revert to unicast. This can have serious ramifications.

For example, even though a device broadcasts a multicast stream, the un-managed switch will pass *unicast* packets to downstream switches and clients. This can flood parts of the network with unnecessary traffic. It can even slow down the rest of the network, as upstream devices are forced to wait for responses from the over-saturated devices.

The net result of such a poor setup can be likened to a self-inflicted denial of service attack.

---

### 1.3.2 NETWORK SETTINGS

---

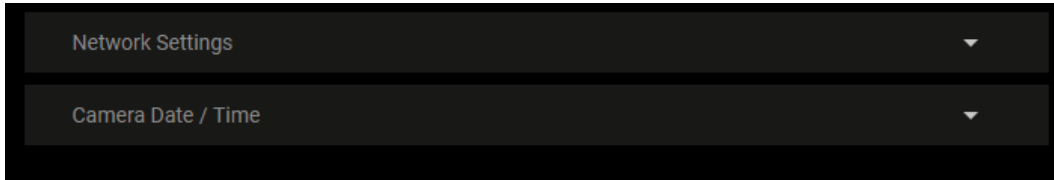


FIGURE 1-16

Controls in the Network Settings section will be familiar to anyone who has connected a computer or mobile device to a network, and thus require little explanation.

Typically, your network will be configured to automatically supply IP addresses to devices you connect to it by means of a DHCP server. Your camera’s IP Address resolution method is set to Dynamic by default, to take advantage of this scheme. To assign a static IP address to your PTZ1, change the IP Address setting to Manual.

*NOTE: Should the default IP Address mode (Dynamic) fail to provide a usable IP address within a minute or two of powering up – as when an active DHCP server is not found on the network – PTZ1 will automatically switch to Manual mode and attempt to connect using a static IP address. The default IP address is 192.168.100.168.*

---

### 1.4 TALLY

---

Your camera unit provides ‘tally’ notification from NDI devices supporting it. Specifically, the Power and Standby lights and located on the front of the pedestal base light up in red or green to tell you when video output from the device is visible on the Program output or Preview, as listed in the following table.

POWER	STANDBY	Indicates (tally state)
Green	Off	On preview
Red	Red	On program
Green	Red	On program and preview
Off	Off	Not on output

## Section 2 REMOTE CONTROL & OSD



Some of the more exotic settings and options available on your NDI-PTZ1™ are supported by means of the onscreen display, and accessed via the included remote control. This section first describes the features of the latter, then provides a full list of options and settings in the 'OSD'.

### 2.1 REMOTE CONTROL

The following table identifies the various controls and buttons on your NDI-PTZ1™ remote control.

	Item	Description
	◀, ▶, ▲, ▼	Pan or tilt the camera
	Back Light	Enable/Disable backlight compensation
	Camera select	Control 1 ~ 3 of VC-A50P
	Auto	Auto focus
	Focus: Manual, Far, Near	Turn on manual focus to adjust the focal length using the Far and Near buttons
	Freeze	Freeze the screen
	Home-Enter	Go back to the main page / Execute
	Info	Status information
	L/R Direction Set	L/R Direction / Normal
	Menu	Display OSD menu
	Mirror	Rotate the image (OFF / Mirror / Flip / Rotate)
	Pan/Tilt Reset	Clear the Pan / Tilt setting
	Picture	Image effect: OFF / NEG / Black & White
	Power	Power Switch
	Preset	Select a Preset (0 ~ 9) to store the current position data
	Reset	Select a Preset (0 ~ 9) to clear
	Zoom-Fast	Adjust image size
	Zoom-Slow	Fine-tune image size

## 2.2 OSD MENU

Press the Menu button on the remote control to display the OSD (On Screen Display) and settings menu over your live video on PTZ1's hardware video output (SDI or HDMI).

*Hint: The bold underlined values in the following table are the defaults.*

The following tables detail the options available to you in the OSD settings menu.

Level 1	Level 2	Level 3		Description
<b>Exposure</b>	<b>Mode</b>	1. Full Auto 2. Shutter Pri 3. Iris Pri 4. Manual 5. White Board 6. <b><u>Smooth Auto</u></b>		Exposure mode
	<b>Exposure Comp.</b>	On / <b><u>Off</u></b>		AE Level
	<b>Exposure Level</b>	-6 ~ <b><u>0</u></b> ~ 5		Available when <b>Exposure Comp.</b> is enabled.
	<b>Shutter Pri</b>	60/30 mode	50/25 mode	
		1/10000	1/10000	
		1/5000	1/5000	
		1/3000	1/3000	
		1/2500	1/2500	
		1/2000	1/1750	
		1/1500	1/1250	
		1/1000	1/1000	
		1/725	1/600	
		1/500	1/425	
		1/350	1/300	
		1/250	1/215	
		1/180	1/150	
	1/120	1/120		
	1/100	1/100		
	1/90	1/75		
	<b><u>1/60</u></b>	<b><u>1/50</u></b>		
	1/30	1/25		
	1/15	1/12		
	1/8	1/6		
	1/4	1/3		
	1/2	1/2		
	1/1	1/1		



	<b>Iris Pri</b>	<ol style="list-style-type: none"> <li>1. <b>F1.6</b></li> <li>2. F2</li> <li>3. F2.2</li> <li>4. F2.7</li> <li>5. F3.2</li> <li>6. F3.8</li> <li>7. F4.5</li> <li>8. F5.4</li> <li>9. F6.3</li> <li>10. F7.8</li> <li>11. F9</li> <li>12. F11</li> <li>13. F13</li> <li>14. F16</li> <li>15. F18</li> </ol>		Iris setting
	<b>Manual Gain</b>	<ol style="list-style-type: none"> <li>1. <b>0dB</b></li> <li>2. 2 dB</li> <li>3. 4 dB</li> <li>4. 6 dB</li> <li>5. 8 dB</li> <li>6. 10 dB</li> <li>7. 12 dB</li> <li>8. 14 dB</li> <li>9. 16 dB</li> <li>10. 18 dB</li> <li>11. 20 dB</li> <li>12. 22dB</li> <li>13. 24dB</li> <li>14. 26 dB</li> <li>15. 28 dB</li> <li>16. 30 dB</li> </ol>		Manually set the gain
	<b>Manual Speed</b>	60/30 mode	50/25 mode	Manually set the shutter
	1/10000	1/10000		
	1/5000	1/5000		
	1/3000	1/3000		
	1/2500	1/2500		
	1/2000	1/1750		
	1/1500	1/1250		
	1/1000	1/1000		
	1/725	1/600		
	1/500	1/425		
	1/350	1/300		
	1/250	1/215		
	1/180	1/150		

		1/120	1/120	
		1/100	1/100	
		1/90	1/75	
		<b>1/60</b>	<b>1/50</b>	
		1/30	1/25	
		1/15	1/12	
		1/8	1/6	
		1/4	1/3	
		1/2	1/2	
		1/1	1/1	
	<b>Manual Iris</b>	<ol style="list-style-type: none"> <li>1. <b>F1.6</b></li> <li>2. F2</li> <li>3. F2.2</li> <li>4. F2.7</li> <li>5. F3.2</li> <li>6. F3.8</li> <li>7. F4.5</li> <li>8. F5.4</li> <li>9. F6.3</li> <li>10. F7.8</li> <li>11. F9</li> <li>12. F11</li> <li>13. F13</li> <li>14. F16</li> <li>15. F18</li> </ol>		Manually set the iris
	<b>Gain Limit</b>	<ol style="list-style-type: none"> <li>1. 8 dB</li> <li>2. 10 dB</li> <li>3. 12 dB</li> <li>4. 14 dB</li> <li>5. 16 dB</li> <li>6. 18 dB</li> <li>7. <b>20 dB</b></li> </ol>		Maximum limit of electronic gain
	<b>Iris Limit</b>	<ol style="list-style-type: none"> <li>1. F1.6</li> <li>2. <b>F2.2</b></li> <li>3. F3.2</li> <li>4. F4.5</li> <li>5. F6.3</li> <li>6. F9</li> <li>7. F13</li> <li>8. F18</li> </ol>		Maximum limit value of iris

	<b>WDR</b>	<ol style="list-style-type: none"> <li><b>Off</b></li> <li>1</li> <li>2</li> <li>3</li> <li>4</li> <li>5</li> </ol>	WDR settings
<b>White Balance</b>	<b>Mode</b>	<ol style="list-style-type: none"> <li><b>Auto</b></li> <li>Indoor</li> <li>Outdoor</li> <li>One Push WB</li> <li>ATW</li> <li>Manual</li> <li>Sodium Lamp</li> <li>3000K</li> <li>4300K</li> <li>5000K</li> <li>6500K</li> <li>8000K</li> <li>WideAuto</li> </ol>	Select color temperature mode <ol style="list-style-type: none"> <li>4000k ~ 7000k</li> <li>3200k</li> <li>5800k</li> <li>1700k ~ 10000k</li> <li>1700k ~ 10000k</li> <li>Custom</li> <li>2800k</li> <li>3000K</li> <li>4300K</li> <li>5000K</li> <li>6500K</li> <li>8000K</li> <li>3000k ~ 7000k</li> </ol>
	<b>One Push Trigger</b>	<b>ENTER</b>	One push trigger
	<b>Manual Red</b>	0 ~ <b>C</b> ~ 128	Adjustable when the white balance mode is set to <b>Manual</b>
	<b>Manual Blue</b>	0 ~ <b>C</b> ~ 128	Adjustable when the white balance mode is set to <b>Manual</b>
<b>Picture</b>	<b>Picture effect</b>	<ol style="list-style-type: none"> <li><b>Off</b></li> <li>Neg</li> <li>B &amp; W</li> </ol>	Set the picture effect
	<b>Sharpness</b>	0 ~ <b>C</b> ~ 15	Adjust the <b>sharpness</b> of the image
	<b>2D NR</b>	<ol style="list-style-type: none"> <li><b>Auto</b></li> <li>Off</li> <li>1</li> <li>2</li> <li>3</li> <li>4</li> <li>5</li> </ol>	2D noise reduction settings
	<b>3D NR</b>	<ol style="list-style-type: none"> <li>Off</li> <li>Low</li> <li><b>Typ</b></li> <li>Max</li> <li>Auto</li> </ol>	3D dynamic noise reduction settings

	<b>Image Mode</b>	<ol style="list-style-type: none"> <li>Mode 1</li> <li><b>Mode 2</b></li> <li>Mode 3</li> <li>Mode 4</li> <li>Mode 5</li> <li>Mode 6</li> <li>Custom</li> </ol>	Customize desired image modes
	<b>Image Mode Load</b>	<ol style="list-style-type: none"> <li>Mode 1</li> <li><b>Mode 2</b></li> <li>Mode 3</li> <li>Mode 4</li> <li>Mode 5</li> <li>Mode 6</li> </ol>	Adjustable when the <i>image mode</i> is set to <i>Custom</i> . After selection, the <i>image mode</i> parameters are read and applied to <i>Custom</i>
	<b>Brightness</b>	0 ~ <u>C</u> ~ 25	Adjustable when the <i>image mode</i> is set to <i>Custom</i>
	<b>Contrast</b>	0 ~ <u>C</u> ~ 25	Contrast adjustment; Adjustable when the <i>image mode</i> is set to <i>Custom</i>
	<b>Saturation</b>	0 ~ <u>C</u> ~ 25	Adjustable in the <i>Custom Mode</i>
	<b>Black Level</b>	<ol style="list-style-type: none"> <li><b>Off</b></li> <li>Type 1</li> <li>Type 2</li> <li>Type 3</li> <li>Type 4</li> <li>Type 5</li> </ol>	Adjustable in the <i>Custom Mode</i>
	<b>Gamma</b>	0 ~ <u>C</u> ~ 3	Adjustable in the <i>Custom Mode</i>
	<b>Skin Tone</b>	0 ~ <u>C</u> ~ 5	Skin tone setting, adjustable in the <i>Custom Mode</i>
<b>Pan Tilt Zoom</b>	<b>Pan/Tilt Limit</b>	ON/ <b>Off</b>	Turn on/off the angle limit setting
	<b>Pan Right Limit</b>	0 ~ <u>170</u>	Limit the right angle
	<b>Pan Left Limit</b>	<u>-170</u> ~ 0	Limit the left angle
	<b>Tilt UP Limit</b>	0 ~ <u>90</u>	Limit the upward angle
	<b>Tilt Down Limit</b>	<u>-30</u> ~ 0	Limit the downward angle
	<b>Pan Flip</b>	On/ <b>Off</b>	Activate the reverse Pan command
	<b>Tilt Flip</b>	On/ <b>Off</b>	Activate the reverse Tilt command
	<b>Preset Speed</b>	<ol style="list-style-type: none"> <li>5 per second</li> <li>25 per second</li> <li>50 per second</li> <li><b>120 per second</b></li> </ol>	Set the rotation speed of the cradle head when Preset is executed
	<b>PTZ Speed Comp</b>	On/ <b>Off</b>	PTZ Speed Compensation

	<b>Zoom Limit</b>	X1 - <b>X20</b>	
<b>Dig-Effect</b>	<b>Mirror</b>	<ol style="list-style-type: none"> <li><b>Off</b></li> <li>Mirror</li> <li>Flip</li> <li>Mirror + Flip</li> </ol>	Set the mode at which the image is turned
<b>Auto Focus</b>	<b>AF Sensitivity</b>	<ol style="list-style-type: none"> <li>Low</li> <li><b>Middle</b></li> <li>High</li> </ol>	Select the AF triggering speed. The higher the speed is, the faster AF is triggered
	<b>AF speed</b>	Fast / <b>Normal</b>	Focus speed after AF triggering
	<b>AF Frame</b>	<b>Full Frame/Center</b>	AF frame setting, when central area was set as AF frame, focusing will be on the center of the screen. When Full Frame was set as AF frame, focusing will be calculated based on the full screen
	<b>PTZ Assist</b>	<ol style="list-style-type: none"> <li>On</li> <li><b>Off</b></li> </ol>	<p>On: Focus In Manual mode, PTZ will trigger focus. Scene changes do not trigger focus (such as blocking the lens with paper)</p> <p>Off: Focus In Manual mode, PTZ will not trigger focus. Scene changes do not trigger focus, but retain Zoom Tracking (remember the last Zoom focus setting).</p>
<b>Ethernet</b>	<b>DHCP</b>	<b>On / Off</b>	Enable/Disable DHCP setting using left and right arrow keys and press [ENTER] to apply setting.
	<b>IP Address</b>	<b>192.168.100.168</b>	Press [ENTER] to modify the items; select the item to be modified using left and right arrow keys, and modify the value using numeric keys.
	<b>Subnet mask</b>	<b>255.255.255.0</b>	Press [ENTER] to modify the items; select the item to be modified using left and right arrow keys, and modify the value using numeric keys.
	<b>Gateway</b>	<b>0.0.0.0</b>	Press [ENTER] to modify the items; select the item to be modified using left and right arrow keys, and modify the value using numeric keys.
<b>Audio</b>	<b>Audio In</b>	<ol style="list-style-type: none"> <li><b>Line In</b></li> <li>Mic In</li> </ol>	
	<b>Audio Enable</b>	<ol style="list-style-type: none"> <li>Line In</li> <li><b>On</b></li> </ol>	

	<b>Audio Volume</b>	0 - 10	Defaults to 5
	<b>Audio Delay</b>	1. <u>Off</u> 2. On	
	<b>Audio Delay Time</b>	<u>-1ms</u> to -500ms	
<b>System</b>	<b>Prompt</b>	On / <u>Off</u>	Turn on/off the prompt information on the display
	<b>IR Receive</b>	<u>On</u> / Off	Turn on/off the infrared reception
	<b>Motionless Preset</b>	On / <u>Off</u>	When the function is enabled, the screen will Freeze when Preset is executed. Freeze will be released after Preset is completed.
	<b>Tally Lamp</b>	<u>Enable</u> / Disable	Turn on/off the Tally Mode
	<b>Audio In</b>	<u>Line In</u> /Mic In	Set Audio In
	<b>Audio Enable</b>	On / <u>Off</u>	Turn on/off sound output
	<b>Audio Volume</b>	0 ~ <u>C</u> ~ 10	Volume Setting
	<b>Language</b>	1. <u>English</u> / Chinese	Language
	<b>Initial Position</b>	<u>Last Mem</u> 1 <sup>st</sup> Preset	On bootup, return to the last position or Preset1
	<b>Control Device</b>	Encoder / <u>Controller</u>	Control Device: Controller: acceleration on Encoder: acceleration off
	<b>Protocol</b>	1. <u>Protocol V</u> / Protocol PD	Protocol V: VISCA Protocol PD: PELCO D
	<b>PD Address</b>	1~ <u>C</u> ~255	The Protocol set to PD allows the camera ID address to be assigned
	<b>Factory Reset</b>	On / <u>Off</u>	Resume the factory default setting
	<b>FW Upgrade</b>	On / <u>Off</u>	Upgrade Firmware
<b>Status</b>			Displays current settings

## Section 3 MOUNTING NDI-PTZ1™



Of course it is vital that your camera installation be secure and safe. This section provides detailed information to help you ensure your installation poses neither safety nor environmental risks, and provides performance consistent with your expectations.

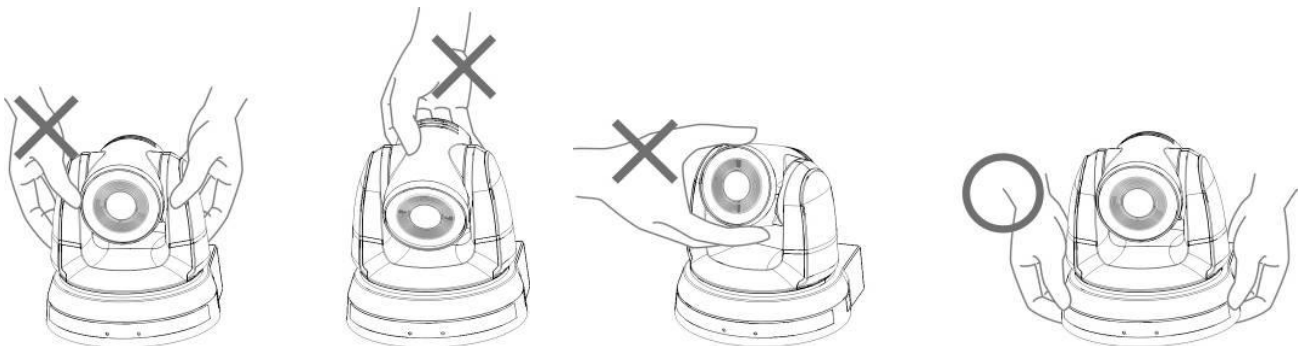
### 3.1 PREPARATION

Installation and connection of your camera requires some skill. Please ensure stable and secure mounting of the device, and pay attention to your personal safety and that of any other persons while mounting the unit to avoid any accident.

- Ensure a safety installation environment. Please do not install the device on an unstable ceiling or anywhere the unit would be in danger of falling. Be careful to avoid overhead or hidden hazards.
- Please choose a suitable place for installation of NDI-PTZ1 in advance. Please determine an installation place according to requirements which follow in this section.
- It is recommended that the unit be located more than 1 meter away from the object to be captured. Please adjust for a best distance according to the magnification of the lens, confirming the position suits the scene you wish to capture.
- Confirm the unit is a suitable distance from nearby light sources and any visual obstructions.

#### 3.1.1 OTHER PRECAUTIONS

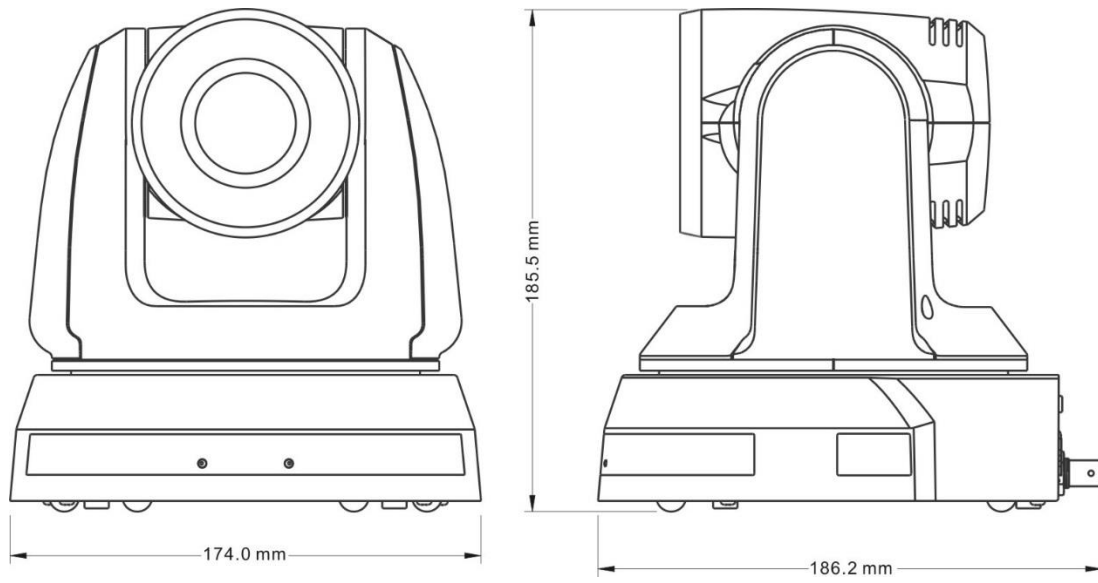
- Handle and transport the unit by its pedestal base. Do not lift, carry or manipulate the camera head by hand, nor manually rotate the camera head (improper handling may damage the camera).



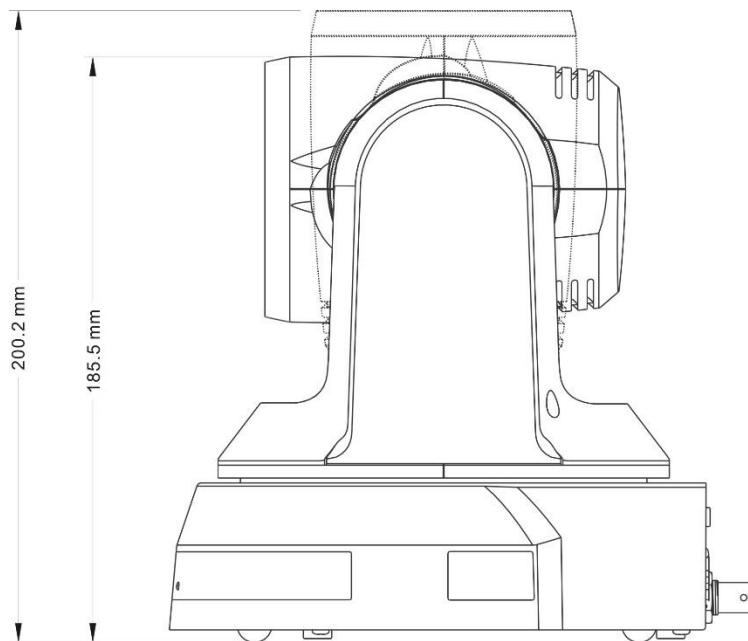
- Locate the parts and equipment required for installation
  - Accessories (metal plates A,B, M3 screw silver x 8, black x 2)
  - Screw for locking on ceiling mounted hanger x 4
  - Drill, screw driver, ladder

## DIMENSIONS

- Length x Width x Height: 174 x 186.2 x 185.5 mm
- Weight: 1.8 Kg

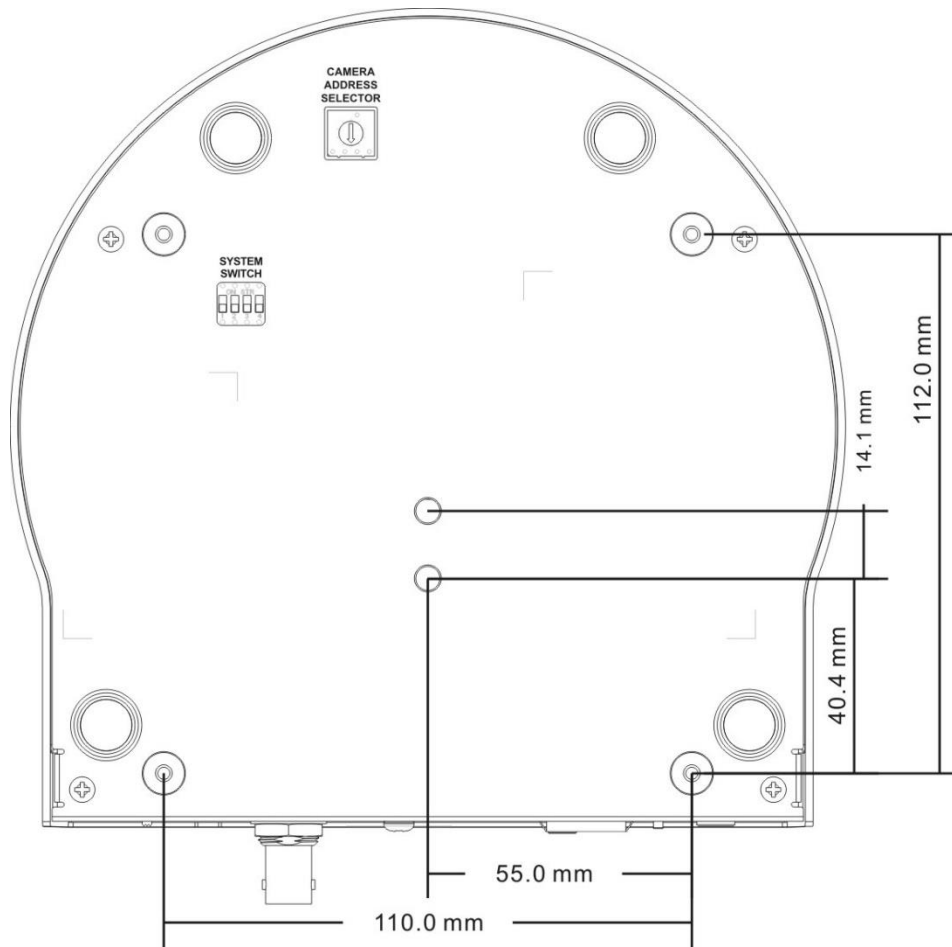


## MAX. ROTATIONAL DIMENSION





## BOTTOM DETAILS



### 3.2 CEILING MOUNTING

The camera (including mounting plates) weighs about 2.5 kg. If it is to be installed on the ceiling, please use the supplied UL approved hanger, which is designed to prevent the unit from falling.

**NOTE:** Please check periodically to ensure the camera is installed securely.

- Please determine the desired resolution for the camera, and set it using the DIP switches before continuing.

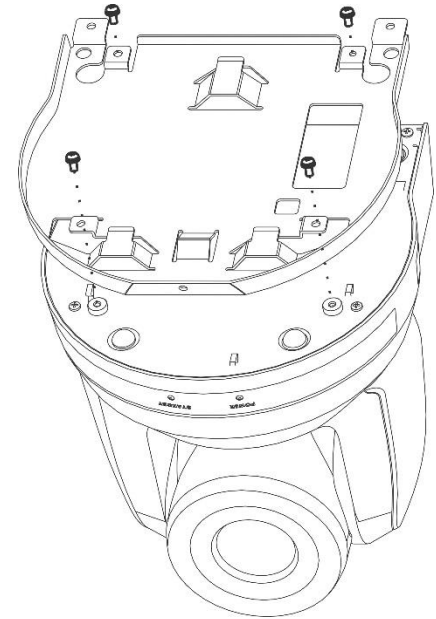
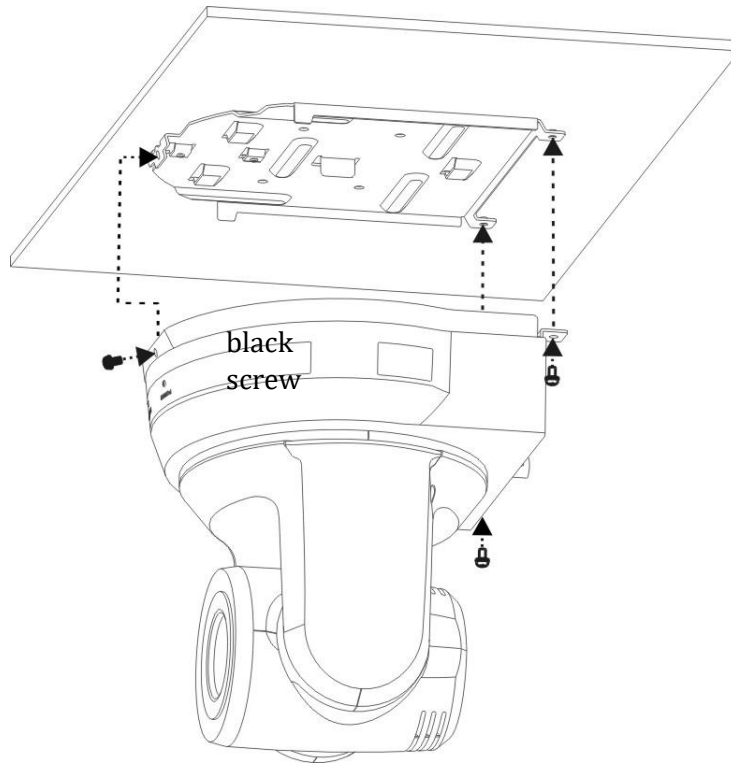
**NOTE:** The various DIP switch configurations for different output formats are depicted on a sticker on the underside of PTZ1's pedestal base. Typically, you might choose something like 1080p/59.94, or 1080p/50.

- Attach the metal plate (A) on the machine base using 4x M3 silver screws.

- Lock the metal plate B on ceiling mounted hanger

**Caution:** Please use supplied UL approved mounting plate.

- Combine the metal plates A and B
  - Push metal plate A up to the ceiling and then to the right to latch the metal plate B;
  - Then secure with 2x M3 silver screws and 1x M3 black screw.



### 3.3 REMOVAL

- Remove the connecting wires from the camera.
- Uninstall the camera together with the ceiling, loosen the three screws that fix the metal plates A and B and push to the left to remove the machine.
- Then remove the screws on the hanger and the camera.
- Loosen three screws affixing metal plates A and B, and slide the camera sideways to dismount it.
- Then remove the screws on the hanger and the machine.

## Section 4 ABOUT NDI®



NDI is much more than simply 'video over IP'. As you begin using it, you'll increasingly discover its many advantages. Soon you'll realize you never want to go back to simple 'point A to point B' methods of video transport.

This section provides a brief overview of NDI and the power it delivers to unleash your creativity and provide newfound production efficiency.

We live in a world in which virtually every computer system in the world is potentially connected to every other. Likewise, our countless mobile devices are connected too. These devices have high quality screens, fast processors and cameras. It is no surprise, then, that efficient, economical, non-linear video transfer in IP space is augmenting and even superseding traditional linear connection methods (SDI, HDMI, etc.) and systems.



NewTek NDI® (Network Device Interface) makes it easy to share high-quality video over a local Ethernet network. However, the NDI vision is vastly exciting than any mere 'cable upgrade'. Production systems using IP to integrate data, video, and audio are transforming live video production in ways that would have seemed miraculous just a few years ago. You can think of NDI as turning your network into a 'video internet'.

### 4.1 A 'VIDEO INTERNET'



Like a webpage, each NDI source is instantly available to many viewers and devices. Wherever your network extends – throughout your office, broadcast studio, hospital, campus (etc.) – NDI is ready for immediate display, capture, replay, production, and more. NDI operates bi-directionally over a local area network, and supports many ultra-low latency, ultra-high quality video streams on shared connections. It is resolution and framerate independent, and natively supports tally, metadata, access management, and more.

NDI's superb performance over standard 1Gbit/s networks makes it possible to transition facilities to an incredibly versatile IP video production pipeline without negating existing investments in SDI infrastructure, or costly new high-speed network installations. NDI|HX is a high-efficiency NDI mode expressly designed to facilitate wifi and long distance connections.

## 4.2 NDI BENEFITS

The NDI concept is simple: You supply a video source – in this case, an NDI stream from your NewTek NDI-PTZ1™. At that point, anyone else on that network can see it and work with it just as if it was a locally connected to their system (unless you deliberately limit access).

In this brave new world of IP video, you hardly need to think about capture cards, SDI, HDMI connections, a/v formats, etc. You also enjoy freedom from dependency on distribution amps, video matrix routers, and the like. There are many hundreds of software and hardware systems with native NDI input and output support – both commercial and open source. Now you can supply your video to these without running bulky cables over long distances.

More than simply replacing a cable, though, NDI enables multiple applications to access the same sources at the same time. For example, you might simultaneously send high-quality, low latency video to your video mixer system, while also streaming it and capturing it elsewhere on your network.

For a deeper introduction to the world of NDI, download and install the free NewTek NDI Tools pack from [www.NDI.NewTek.com](http://www.NDI.NewTek.com), which includes a Getting Started with NDI guide.

## 4.3 NDI VIRTUAL INPUT

If you installed the NDI|HX driver for Windows™, you were given the opportunity to install NewTek NDI Virtual Input at the same time. This is a very useful application that allows you to make a designated NDI source available on the local as a proxy 'webcam'.

In turn, this means that you can quickly and flexibly assign NDI sources from your network to supply video to applications like Skype™, Google + Hangouts™, GoToMeeting™, and many more.

*Hint: At the time of installation, you will be asked whether you would like to Virtual Input to be launched automatically when you boot the system. In most situations you may want to choose this option.*

When running, NDI Virtual Input adds a small icon to the Windows task tray (Figure 4-2).

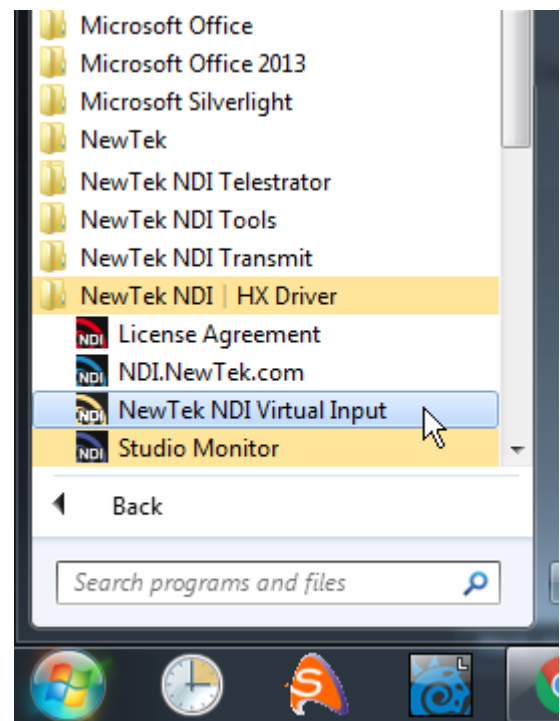


FIGURE 4-1

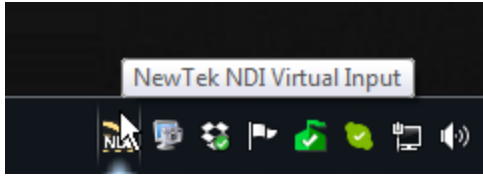


FIGURE 4-2

Configuring (and using) Virtual Input is very easy:

- Simply right-click the icon to select an NDI source from your network (Virtual Input requires that at least one NDI|HX source must be detected on the network for this to work).
- The Settings menu item allows you to mute or adjust audio levels, or select a Low Bandwidth mode, as you might do to make optimal use of your network when a lower resolution image will suffice.

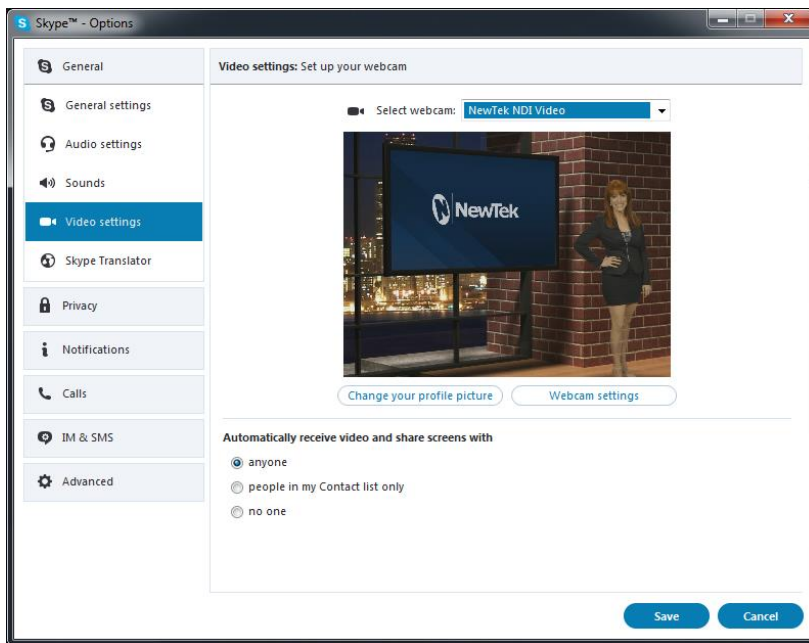


FIGURE 3

- Afterward, you will see an entry named NewTek NDI Video (or Audio) listed along with any other qualified sources available to applications like Skype™, etc.



## Section 5 END USER LICENSE AGREEMENT

---

This NewTek Software License and Limited Warranty applies to combined software/hardware product provided including but not limited to:

TriCaster® TC1, TriCaster® TCXD8000™, TriCaster® TCXD860™, TriCaster® TCXD460™, TriCaster® TCXD410™, TriCaster® Mini™, TriCaster® Mini SDI™, TriCaster® TCXD40™, MDS1, Media DS, VMC1, NC1 IN, NC1 I/O, VMC1 IN, VMC1 OUT, 3Play™ 3PXD4800™, 3Play™ 3PXD440™, 3Play Mini™, 3Play™ 3PXD425™, TalkShow™, NewTek TC1, NewTek VMC1, NewTek NC1 IN, NewTek NC1 I/O, NewTek VMC1 OUT, TalkShow, TalkShow VS 4000, TalkShow VS100, Network Device Interface, NDI, NewTek Connect, NewTek Connect Pro, NewTek IsoCorder, NewTek IsoCorder Pro, NewTek NDI PTZ Camera, NewTek Connect Spark SDI, NewTek Connect Spark HDMI, NewTek NVG1 Vizrt IP Graphics Server, including all Factory Reconditioned versions of the above Products (except TalkShow factory reconditioned products).

PLEASE READ THIS CAREFULLY BEFORE USING THIS PRODUCT. BY USING THIS PRODUCT YOU AGREE TO BE BOUND BY THESE TERMS OF THE SOFTWARE LICENSE AND LIMITED WARRANTY. CERTAIN PRODUCTS, INCLUDING BUT NOT LIMITED TO THE MDS1 AND NVG1 HAVE ADDITIONAL END USER LICENSE AGREEMENTS THAT ARE BINDING. IF YOU DO NOT AGREE TO THESE LICENSES AND THESE TERMS, RETURN THE PRODUCT TO THE PLACE WHERE YOU OBTAINED IT WITHIN 15 DAYS OF PURCHASE FOR A FULL REFUND.

THIS PRODUCT IS AN INTEGRATED HARDWARE/SOFTWARE PRODUCT. YOU OWN THE HARDWARE AND LICENSE THE SOFTWARE.

THIS SOFTWARE LICENSE AND LIMITED WARRANTY APPLIES TO THE PRODUCTS LISTED ABOVE. TRICASTERS, 3PLAY AND TALKSHOW ARE REFERRED TOGETHER AS "PRODUCT" IN THIS SOFTWARE LICENSE AND LIMITED WARRANTY.

This license does not replace the NDI License for developers, which are under separate SDK license agreement.

### SOFTWARE LICENSE AND LIMITED SOFTWARE WARRANTY

#### 1. Grant of License

The computer program(s) (the "Software") installed and/or enclosed with the Product is licensed, not sold, to you by NewTek, Inc. (NEWTEK) for use only under the terms of this License, and NEWTEK reserves any rights not expressly granted to you. You own the any disk(s) and/or tangible media that might be enclosed with the Product on which any Software is recorded or fixed, but the Software and all copyright rights therein, foreign and domestic, is owned by NEWTEK or its suppliers and is protected by United States and foreign copyright laws and international treaty provisions. You do not have any grant of a license herein if you acquired the Product and/or software by fraud, stealth, or other unlawful means, including but not limited to acquiring the product by means of credit card fraud, mail fraud or the like.

The copyright restrictions of this license extend to any further updates, software patches, or bug fixes made available to you by NEWTEK, regardless of how the software is delivered (by downloading, through magnetic media, or other). Any Software updates and/or patches later obtained by you from NewTek may be used on, and only on, a Product that has a valid and legal Software License for which the update was obtained. IF YOU

USE A SOFTWARE UPDATE, IT MAY INCLUDE TERMS THAT MODIFY OR CHANGE THIS LICENSE; YOUR ACCEPTANCE AND USE OF SUCH PATCH WILL CONSTITUTE YOUR CONSENT AND AGREEMENT TO MODIFY THIS LICENSE TO THE EXTENT THE PATCH INDICATES THIS LICENSE IS MODIFIED.

This License allows you to use one copy of the Software and when installed on this Product's hardware. However, if the Product is an NDI/HX driver, you may use up to five (5), and no more than five, copies on separate machines at one time.

You may make one copy of the Software in machine readable form solely for backup purposes. The Software is protected by copyright law. As an express condition of this License, you must reproduce on the backup copy the NEWTEK copyright notice in the following format "(c) 1990 - 2017 NEWTEK."

On Products that include the Network IN feature, this license permits you to copy certain files to other computers, for the purpose of bringing their display into the Product host computer for viewing.

EXCEPT WITH REGARD TO THE PROHIBITIONS ON TRANSFER AND ASSIGNMENT PERTAINING TO THE TALKSHOW PRODUCT AND SOFTWARE IN PARAGRAPH 14 BELOW, you may permanently transfer all your rights under this License to another party, if transferred along with the hardware, by providing such party all copies of the Software licensed under this License together with this License, and all licenses of any subsequent updates that modify this license, and all written materials accompanying the Software, provided that the other party reads and agrees to accept the terms and conditions of this License and other licenses pertaining to the Software and its updates. Your rights under this license terminate upon such transfer. You may not transfer any rights under this agreement if you acquired the Product and/or software by fraud, stealth, or other unlawful means, including but not limited to acquiring the product under fraud and/or false pretenses of any kind, including by means of credit card fraud, or mail fraud. Some of these restrictions may not apply to the GPL, LGPL, or other licensed software/libraries referenced in paragraph 9 below.

Limited Educational License. If the Product was obtained for Educational Use with an Educational price discount, this license is a limited Educational License, and as such the Software is not licensed to be used for any commercial or other use that is not an Educational Use. Educational Use means use by students, instructors, educational and/or government facilities directly connected with the user's employment with, or as a student of, a bona fide educational institution of primary, secondary, graduate, or postgraduate level. The terms of purchase relating to restrictions to educational uses in effect at the time of purchase also are part of this license to the extent they don't conflict. These Educational Uses may be stated from time to time on NewTek's website, including restrictions on availability of technical support, and are part of the terms of this Educational license. Any non-educational use will be considered, as with other uses in contravention of this license, copyright infringement. You may determine whether it is a Limited Educational License by referring to the serial number and letter code. \*\*Call NewTek to determine the nature of the license for this Product.

## 2. Restrictions.

The Software contains trade secrets in its human perceivable form and, to protect them, YOU MAY NOT COPY (EXCEPT AS EXPRESSLY AUTHORIZED HEREIN), AND YOU MAY NOT DISTRIBUTE, MODIFY OR CREATE DERIVATIVE WORKS, OR REVERSE ENGINEER, DECOMPILE, DISASSEMBLE, OR OTHERWISE REDUCE THE SOFTWARE TO ANY HUMAN PERCEIVABLE FORM. YOU MAY NOT MODIFY, ADAPT, TRANSLATE, RENT, LEASE, LOAN, RESELL FOR PROFIT, OR CREATE ANY MODIFICATIONS OR OTHER DERIVATIVE WORKS BASED UPON THE SOFTWARE OR ANY PART THEREOF.



### 3. Termination

This License is effective until terminated. This License will terminate immediately without notice from NEWTEK, or by judicial resolution, if you fail to comply with any provision of this License. Upon such termination you must destroy the Software, all accompanying written materials and all copies thereof. You may also terminate this License at any time by destroying the Software, all accompanying written materials and all copies thereof.

### 4. Export Law Assurances.

You agree to comply with all applicable export/import laws and regulations when using or transferring this software. You agree that neither the Software nor any direct product thereof is being or will be shipped, transferred or re-exported, directly or indirectly, into any country prohibited by the United States Export Administration Act and the regulations thereunder or will be used for any purpose prohibited by the Act. Any violation of this provision will terminate the license and void the transfer.

### 5. Limited Warranty and Disclaimer, Limitation of Remedies and Damages.

YOU ACKNOWLEDGE THAT THE SOFTWARE MAY NOT SATISFY ALL YOUR REQUIREMENTS OR BE FREE FROM MINOR DEFECTS. NEWTEK WARRANTS THE DISCS OR OTHER TANGIBLE STORAGE MEDIA PROVIDED, IF ANY, ON WHICH THE SOFTWARE IS RECORDED. TO BE FREE FROM DEFECTS IN MATERIALS AND WORKMANSHIP UNDER NORMAL USE FOR 90 DAYS FROM PURCHASE.

ALL IMPLIED WARRANTIES RELATING TO THE PRODUCT SOFTWARE ARE DISCLAIMED (INCLUDING ANY IMPLIED WARRANTY OF MERCHANTABILITY OR FITNESS FOR A PARTICULAR PURPOSE). YOUR EXCLUSIVE REMEDY FOR BREACH OF WARRANTY WILL BE THE REPLACEMENT OF THE MEDIA OR REFUND OF THE PURCHASE PRICE. IN NO EVENT WILL NEWTEK OR ITS DEVELOPERS, SHAREHOLDERS, DIRECTORS, OFFICERS, EMPLOYEES OR AFFILIATES BE LIABLE TO YOU FOR ANY CONSEQUENTIAL, INCIDENTAL OR INDIRECT DAMAGES (INCLUDING DAMAGES FOR LOSS OF BUSINESS PROFITS, BUSINESS INTERRUPTION, LOSS OF BUSINESS INFORMATION, AND THE LIKE), WHETHER FORESEEABLE OR UNFORESEEABLE, ARISING OUT OF THE USE OR INABILITY TO USE THE SOFTWARE OR ACCOMPANYING WRITTEN MATERIALS, REGARDLESS OF THE BASIS OF THE CLAIM AND EVEN IF NEWTEK OR AN AUTHORIZED NEWTEK REPRESENTATIVE HAS BEEN ADVISED OF THE POSSIBILITY OF SUCH DAMAGES. IF THIS IS AN EVALUATION OR BETA VERSION, YOU ACKNOWLEDGE THAT THE SOFTWARE AND ACCOMPANYING MATERIALS ARE ACCEPTED "AS IS" AND MAY NOT BE FREE FROM DEFECTS.

NEWTEK DISCLAIMS ANY IMPLIED OR OTHER WARRANTY OF TITLE. NEWTEK EXPRESSLY DOES NOT WARRANT THAT THE SOFTWARE DOES NOT INFRINGE ANY PATENT, TRADEMARK, COPYRIGHT OR OTHER INTELLECTUAL PROPERTY OR OTHER RIGHTS OF ANY THIRD PARTY, AND SUCH WARRANTY OR ANY OTHER WARRANTY OF TITLE IS EXPRESSLY DISCLAIMED. THIS EXCLUSION OF WARRANTY AGAINST INFRINGEMENT IS INAPPLICABLE WHERE SUCH EXCLUSION IS PROHIBITED BY LAW.

NO WARRANTIES OF ANY KIND APPLY TO THE X264 SOFTWARE.

SPECIAL WARRANTY TERMS APPLY TO AUSTRALIA, SEE BELOW.

Other Legal Disclosures and Limitations. The above warranty is exclusive and in lieu of all other warranties, express or implied. Because some states and jurisdictions have different laws that are ever-changing, and

because we have no desire to conflict with these laws, then any term of this warranty or the warranty limitations that is prohibited by applicable law shall not apply. IF ANY STATE OR JURISDICTION PROHIBITS EXCLUSION OF ANY IMPLIED OR OTHER WARRANTY, THEN SUCH MANDATED IMPLIED OR OTHER WARRANTY SHALL BE LIMITED TO SUCH WARRANTY CLAIMS BEING BROUGHT WITHIN TWO (2) YEARS FROM DATE OF PURCHASE. YOUR SOLE REMEDY IN ANY EVENT SHALL BE TO TERMINATE THE LICENSE.

ALL ACTIONS ON ANY BREACH OF WARRANTY OF ANY KIND MUST BE BROUGHT WITHIN TWO (2) YEARS OF DATE OF PURCHASE AND ANY LONGER STATUTE OF LIMITATION SHALL NOT APPLY. Some states do not allow limitations on how long an implied warranty lasts or the exclusion of incidental or consequential damages, so the above limitations or exclusions may not apply to you.

This warranty gives you specific legal rights, and you may have other rights which vary from state to state.

The above warranty limitations will not apply in case of personal injury where and to the extent that applicable law requires such liability.

## 6. Trademarks.

The following are trademarks of NewTek, Inc.: TriCaster®, 3Play®, NDI®, TalkShow®, NDI®, NewTek, NewTek TC1, NewTek VMC1, NewTek NC1 IN, NewTek NC1 I/O, NewTek VMC1 OUT, NewTek MDS1, MDS1, MediaDS, NDI/HX, NewTek NDI Connect Spark SDI, NewTek NDI Connect Spark HDMI, Connect Spark, Spark, NewTek NDI PTZ, PTZ-1, NewTek NVG1, NVG1, TriCaster Advanced Edition, TriCaster XD, TCXD8000, TriCaster 8000, TC, TCXD 860, TriCaster 860; TCXD855, TriCaster 855, TCXD850, TCXD850 Extreme, TriCaster 850 Extreme, TriCaster Extreme, TriCaster 850, TCXD455, TCXD460, TriCaster 460, TCXD410, TriCaster 410, TriCaster Mini, TriCaster Mini SDI, TriCaster TCXD455, TriCaster 455, TCXD450, TCXD450 Extreme, TriCaster TCXD450 Extreme, TriCaster 450, TriCaster 450 Extreme, TCXD300, TriCaster 300, TCXD 40, TriCaster 40, TriCaster PRO, TriCaster STUDIO, TriCaster BROADCAST, TriCaster DUO, Media DS, MDS1, TalkShow VS 4000, TalkShow VS100, Network Device Interface, NewTek Connect, NewTek Connect Pro, NewTek IsoCorder, NewTek IsoCorder Pro, DataLink, TriCaster Virtual Set Editor, Virtual Set Editor Advanced Edition, TriCaster VSE, TriCaster VSE Advanced Edition, SpeedEDIT, NewTek AutoLink for Panasonic PTZ, VMC1, VMC1 IN, VMC1 OUT, 3P, , 3PLAY 425, 3PXD440, 3PLAY 440, 3PXD425, 3PXD820, 3PLAY 4800, 3PLAY 820, 3PXD820, 3Play Mini, TriCaster LC-11, LC-11, RS-8, DataLink, iVGA RS-8, ProTekSM, ProTek CareSM, ProTek EliteSM, IsoCorder, Broadcast Minds®, DataLink, Digital Confusion, Endomorphs, HardFX, HyperVoxels, LiveTime, LScript, Motion Mixer, Morph Mixer, Particle FX, Partigons, Skelegons, SkyTracer, SoftFX, LiveText, LiveSet, LiveMatte, TransWarp, TimeWarp, NewTek VT, VT, VT[3], VT[4], VT[5], Video Toaster, Toaster, LiveControl, Chronosculpt, NevronMotion, Inspire 3D, 3D Arsenal, Aura, LightWave, LightWave 3D® and LightWave CORE. The list is not intended to be exhaustive, and others are or may be claimed by NewTek related to these or other NewTek products, some of which may be found at [www.newtek.com](http://www.newtek.com). All other brand names, product names, or trademarks belong to their respective holders.

## 7. MPEG-2, MPEG-4, AVC/H.264

Use of this product commercially, including the distribution of content media, may require additional licenses from MPEG sources, depending on your usage.

MPEG-2: ANY USE OF THIS PRODUCT IN ANY OTHER MANNER THAN CONSUMER PERSONAL USE THAT COMPLIES WITH THE MPEG-2 STANDARD FOR ENCODING VIDEO INFORMATION FOR PACKAGED MEDIA IS EXPRESSLY PROHIBITED WITHOUT A LICENSE UNDER APPLICABLE PATENTS IN THE MPEG-2 PATENT

PORTFOLIO, WHICH LICENSE IS AVAILABLE FROM MPEG LA, L.L.C., 250 STEELE STREET, SUITE 300, DENVER, COLORADO 80206.

MPEG-4; THIS PRODUCT IS LICENSED UNDER THE MPEG-4 VISUAL PATENT PORTFOLIO LICENSE FOR THE PERSONAL AND NON-COMMERCIAL USE OF A CONSUMER FOR (i) ENCODING VIDEO IN COMPLIANCE WITH THE MPEG-4 VISUAL STANDARD ("MPEG-4 VIDEO") AND/OR (ii) DECODING MPEG-4 VIDEO THAT WAS ENCODED BY A CONSUMER ENGAGED IN A PERSONAL AND NON-COMMERCIAL ACTIVITY AND/OR WAS OBTAINED FROM A VIDEO PROVIDER LICENSED BY MPEG LA TO PROVIDE MPEG-4 VIDEO. NO LICENSE IS GRANTED OR SHALL BE IMPLIED FOR ANY OTHER USE. ADDITIONAL INFORMATION INCLUDING THAT RELATING TO PROMOTIONAL, INTERNAL AND COMMERCIAL USES AND LICENSING MAY BE OBTAINED FROM MPEG LA, LLC. SEE [HTTP://WWW.MPEGLA.COM](http://www.mpegla.com).

AVC/H.264: The use within this product of any files using AVC/H.264 encoding and/or decoding are subject to the following restrictions: CERTAIN SOFTWARE HEREIN IS LICENSED UNDER THE AVC PATENT PORTFOLIO LICENSE FOR THE PERSONAL AND NON-COMMERCIAL USE OF A CONSUMER TO (I) ENCODE VIDEO IN COMPLIANCE WITH THE AVC STANDARD ("AVC VIDEO") AND/OR (II) DECODE AVC VIDEO THAT WAS ENCODED BY A CONSUMER ENGAGED IN A PERSONAL AND NON-COMMERCIAL ACTIVITY AND/OR WAS OBTAINED FROM A VIDEO PROVIDER LICENSED TO PROVIDE AVC VIDEO. NO LICENSE IS GRANTED OR SHALL BE IMPLIED FOR ANY OTHER USE. ADDITIONAL INFORMATION MAY BE OBTAINED FROM MPEG LA, L.L.C. SEE [HTTP://WWW.MPEGLA.COM](http://www.mpegla.com).

#### 8. Other MPEG – No warranty

Your use of this product to distribute CD's, streaming video, or other media, or certain other commercial uses, may require additional licensing from other appropriate MPEG licensing sources, and no warranty is made otherwise. \*\*9. Other Licenses – Any use by you of Adobe Reader®, Adobe Flash Player®, and/or Windows Media® viewers and/or players constitutes your acceptance of the terms of the respective licenses by Adobe and Microsoft for such viewers and players. Adobe®, Adobe Flash Player® are trademarks of Adobe®; Windows®, Windows Media® are trademarks of Microsoft®. HDMI®, the HDMI logo, and High-Definition Media Interface® are trademarks of High Definition Licensing, Inc. ADOBE AIR AND FLASH PLAYERS ARE LICENSED UNDER THE AVC PATENT PORTFOLIO LICENSE FOR THE PERSONAL AND NON-COMMERCIAL USE OF A CONSUMER TO (I) ENCODE VIDEO IN COMPLIANCE WITH THE AVC STANDARD ("AVC VIDEO") AND/OR (II) DECODE AVC VIDEO THAT WAS ENCODED BY A CONSUMER ENGAGED IN A PERSONAL AND NON-COMMERCIAL ACTIVITY AND/OR WAS OBTAINED FROM A VIDEO PROVIDER LICENSED TO PROVIDE AVC VIDEO. NO LICENSE IS GRANTED OR SHALL BE IMPLIED FOR ANY OTHER USE. ADDITIONAL INFORMATION MAY BE OBTAINED FROM MPEG LA, L.L.C. SEE [HTTP://WWW.MPEGLA.COM](http://www.mpegla.com). Other licenses from third parties, including that for INNO SETUP, are referenced in the ABOUT BOX, and you agree to those terms by agreeing to this License.

This Product may include certain software, including libraries, licensed under the GNU General Public License (GPL) and Lesser General Public License (LGPL) of the Free Software Foundation and some of the above restrictions may not apply to such software, and no warranties apply to such software. Information on these programs, the rights and limitations, is in the ABOUT BOX for you to review and are incorporated herein.

#### 10. US Government Restricted Provision.

If this Software was acquired by or on behalf of a unit or agency of the United States Government this provision applies.

- (a) This Software was developed at private expense, and no part of it was developed with government funds,
- (b) This Software is a trade secret of NEWTEK for all purposes of the Freedom of Information Act,
- (c) This Software is "commercial computer software" subject to limited utilization as provided in the contract between the vendor and the government entity, and
- (d) This Software in all respects is proprietary data belonging solely to NEWTEK.
- (e) For units of the Department of Defense (DoD), this Software is sold only with "Restricted Rights" as that term is defined in the DoD Supplement to the Federal Acquisition Regulations, 52.227-7013 (c) (1) (ii).
- (f) Use, duplication or disclosure is subject to restrictions as set forth in subdivision (c) (1) (ii) of the Rights in Technical Data and Computer Software clause at 52.227-7013. Manufacturer: NEWTEK, 5131 Beckwith Boulevard, San Antonio, TX 78249.
- (g) Title to and ownership of this Software and documentation and any reproductions thereof shall remain with NEWTEK,
- (h) Use of this Software and documentation shall be limited to the facility for which it is required;
- (i) If use of the Software is discontinued to the installation specified in the purchase/delivery order and the US Government desires to use it at another location, it may do so by giving prior written notice to NEWTEK, specifying the type of computer and new location site. US Governmental personnel using this Software, other than under a DoD contract or GSA Schedule, are hereby on notice that use of this Software is subject to restrictions which are the same as or similar to those specified.
- (j) If this Software was acquired under a GSA Schedule, the US Government has agreed to refrain from changing or removing any insignia or lettering from the software or the accompanying written materials that are provided or from producing copies of manuals or disks (except one copy for backup purposes)

## 11. General.

This Software License will be construed under the laws of the State of Texas, except for that body of law dealing with conflicts of law. If any provision shall be held by a court of competent jurisdiction to be contrary to law, that provision will be enforced to the maximum extent permissible and the remaining provisions of this License will remain in full force and effect.

## 12. Special Provisions for Australia.

The following additional Limited Warranty terms apply to Australian original purchasers (licensees) only and controls over any expressly contradicting warranty terms above. NewTek warrants to the original Australian purchaser (licensee) of this Software that the recording media on which the software programs are recorded will be free from defects in materials and workmanship for 90 days from the date of purchase. During such period defective media will be replaced if the original product is returned to NewTek at the below address, together with a dated proof of purchase, a statement describing the defects, the faulty media and your return address. This warranty does not apply to the software program itself, which is provided "as is", nor does it apply to media which has been subject to misuse, damage or excessive wear. The benefits to

you by this Limited Warranty are in addition to other rights or remedies you may have under law in relation to the goods to which the warranty relates:

Our goods come with guarantees that cannot be excluded under the Australian Consumer Law. You are entitled to a replacement or refund for a major failure and for compensation for any other reasonably foreseeable loss or damage. You are also entitled to have the goods repaired or replaced if the goods fail to be of acceptable quality and the failure does not amount to a major failure. Goods presented for repair may be replaced by refurbished goods of the same type rather than being repaired. Refurbished parts may be used to repair the goods. If you have any questions please contact NewTek at [www.newtek.com](http://www.newtek.com), or call at 1-210-370-8000, or write to NewTek, Inc. 5131 Beckwith Blvd., San Antonio, TX, USA, 78249. If goods covered by this Limited Warranty are defective, NewTek will reimburse you for the reasonable direct costs which you incur in making your claim subject to you providing us with original receipts of those direct costs with your claim.

### 13. Limited Content License.

The following terms apply to the use of the Content that is provided with the TriCaster®. The computer software ("Software"), images ("Images"), printed materials ("Index") and other content files, including any files containing photos, video clips, or music, whether contained on Content CD's or otherwise included with the Product on Content directories or elsewhere, as pre-designed images or files of any kind ("Files"), distributed with or in connection with the Products and/or subsequent updates and versions thereof (all such Images and Files collectively called the "Content Data"), are proprietary and all copyrights are owned by NewTek and/or its Licensors. These copyrights are protected under U.S. and International copyright law. NewTek, Inc. ("NewTek") and the parties who granted NewTek special permission to include their respective material as part of the Content Data own and reserve all rights. The Content is for your use only, and not to be distributed in whole or in part by you, with or without being incorporated into any other content or Work, unless expressly granted such right to incorporate the Content Data into your work, granted in writing by NewTek. Certain specific Content Data may have express permissions granted with it. You agree to indemnify and hold harmless NewTek and all of its officers, directors, employees and agents ("Indemnitees") for any and all losses, damages, liabilities, claims, costs or expenses, including reasonable attorneys' fees, incurred directly or indirectly by the Indemnitees in connection with the use of the Content Data for any unlawful, unauthorized or prohibited purpose. You may not sell, sublicense, loan, give, or transfer any part of the Content Data or a copy thereof (except in accordance with the aforementioned permitted use in a work created by you), to another person or company. Under no circumstances shall the Content Data be transferred to third parties through the use of on-line services or networks. The remaining terms of this License apply except where in conflict, in which case the provisions of this Limited Content License shall control.

### 14. Additional Provisions Pertaining to the TALKSHOW product and software.

In addition to the other terms in this Software License and Limited Warranty, the following terms apply to the TalkShow product and its software:

- a. In order to make or receive Skype calls to be processed using TalkShow and its software, you will need Skype Client Software from Skype™, a Microsoft™ company. You will be directed to create your own Skype™ user account(s) and your use of the Skype client software thereunder will be governed by the standard Skype™ Terms of Use. NewTek is not responsible for that license nor a party to it and you agree to be bound by it and comply with the Skype™ Broadcast Terms of Use as found at:

<http://www.skype.com/en/legal/broadcast/>.

- b. NewTek is solely responsible for the TalkShow product.
- c. You agree that NewTek may share certain information about the use and performance of the TalkShow system with Skype™ and Microsoft
- d. As with other software licensed elsewhere in this License, your license of the TalkShow software is limited to the object code only, and all of the provisions of this license apply, including those in paragraph two.
- e. You are further prohibited from any transfer, assignment, or sublicensing of the TalkShow software.

#### Limited Hardware Warranty

This limited warranty covers only the hardware portion of the Product and extends to the original purchaser only. Software with the Product, installed or uninstalled, is licensed to you, not sold, under the separate license agreement, above, that has its own limited warranty terms.

Except for Factory Reconditioned products dealt with hereafter, NewTek warrants that for a period of two (2) years from the date of your original purchase of the Product the hardware shall be free from defects in material and workmanship, subject to the limitations herein. If a defect is determined to be covered by this warranty as determined by NewTek, NewTek will correct it, and may do so using new or remanufactured components.

IF THIS IS AN EVALUATION OR BETA VERSION, YOU ACKNOWLEDGE THAT THE HARDWARE AND MATERIALS ARE ACCEPTED “AS IS” AND MAY NOT BE FREE FROM DEFECTS.

IF THIS PRODUCT IS A FACTORY RECONDITIONED PRODUCT, THE WARRANTY IS LIMITED TO NINETY (90) DAYS. All other terms of the Limited Warranty apply, including exclusions. A Factory Reconditioned product is a refurbished product that has been used and/or returned as trade in or for other reasons. Such products may have replacement parts that are used. Factory Reconditioned products (sometimes referred to as B Stock) will be noted on the Product and/or accompanying product literature as Factory Reconditioned, or with the “B” notation on the front label and/or at initial sign in.

LIMITATIONS ON WARRANTY AND LIMITATIONS ON NewTek’s Liability. NewTek’s obligations are only as expressly stated herein. NewTek is not liable for loss or damage for inconvenience or interruption of service, loss of business, data or anticipatory profits, or consequential, incidental or punitive damages resulting from the use (or operation) of any of the Product. NewTek’s liability is limited solely to the repair or replacement of the defective Product. NewTek is under no obligation or responsibility to enhance or update the product. This warranty does not cover damage or malfunctions resulting from improper handling, accident, misuse, abuse, neglect, electrical surges, failure of electrical power, use with other products not manufactured or approved by NewTek, installation or removal charges or damages, damage while in transit for repair, repair attempted by any unauthorized person, or any other reason not due to defects in materials and workmanship. This warranty is also void if any applicable serial number has been altered, defaced, or removed, OR IF THE PRODUCT WAS PURCHASED UNDER FRAUD OR FALSE PRETENSES.

The hardware and software in this product are designed to work in conjunction with each other. Any termination of the Software License, and any use of the software, or any portion of the software, not in

conjunction with the hardware, will void all warranties and any technical support service otherwise available.

TO THE BEST OF NEWTEK'S KNOWLEDGE, NEITHER THE SOFTWARE NOR THE HARDWARE OF THE PRODUCT INFRINGE ANY PATENT, TRADEMARK, COPYRIGHT OR OTHER INTELLECTUAL PROPERTY RIGHTS OF ANY THIRD PARTY; NO WARRANTY IS PROVIDED AGAINST SUCH INFRINGEMENT OR CLAIMS OF INFRINGEMENT. THIS EXCLUSION OF WARRANTY AGAINST INFRINGEMENT IS INAPPLICABLE WHERE SUCH EXCLUSION IS PROHIBITED BY LAW.

To Obtain Warranty Service. To obtain free repair under this warranty, contact NewTek Technical Support for confirmation, at [www.newtek.com](http://www.newtek.com), or call at 1-210-370-8000, or write to NewTek, Inc. 5131 Beckwith Blvd., San Antonio, TX, USA, 78249 to receive a Returned Materials Authorization (RMA), and deliver the product along with proof of ownership (such as the original invoice, or a photocopy) to NewTek. You will be responsible for any costs associated with the delivery to and from our service center.

Other Legal Disclosures and Limitations. The above warranty is exclusive and in lieu of all other warranties, express or implied. Because so many states have different laws that are ever-changing, and because we have no desire to conflict with these laws, then any term of this warranty or the warranty limitations that is prohibited by applicable law shall not apply. IF ANY STATE PROHIBITS EXCLUSION OF ANY IMPLIED OR OTHER WARRANTY, THEN SUCH MANDATED IMPLIED OR OTHER WARRANTY SHALL BE LIMITED TO SUCH WARRANTY CLAIMS BEING BROUGHT WITHIN TWO (2) YEARS FROM DATE OF PURCHASE.

ALL ACTIONS ON ANY BREACH OF WARRANTY OF ANY KIND MUST BE BROUGHT WITHIN TWO (2) YEARS OF DATE OF PURCHASE AND ANY LONGER STATUTE OF LIMITATION SHALL NOT APPLY. Some states do not allow limitations on how long an implied warranty lasts or the exclusion of incidental or consequential damages, so the above limitations or exclusions may not apply to you.

This warranty gives you specific legal rights, and you may have other rights which vary from state to state.

The above warranty limitations will not apply in case of personal injury only where and to the extent that applicable law requires such liability.

For certain purchasers in Australia of certain of our Products governed by the Australian Consumer Law, the following applies:

“Our goods come with guarantees that cannot be excluded under the Australian Consumer Law. You are entitled to a replacement or refund for a major failure and for compensation for any other reasonably foreseeable loss or damage. You are also entitled to have the goods repaired or replaced if the goods fail to be of acceptable quality and the failure does not amount to a major failure. Goods presented for repair may be replaced by refurbished goods of the same type rather than being repaired. Refurbished parts may be used to repair the goods. If you have any questions please contact NewTek at the above address. If goods covered by this Limited Warranty are defective, NewTek will reimburse you for the reasonable direct costs which you incur in making your claim subject to you providing us with original receipts of those direct costs with your claim.”

This Limited Hardware Warranty will be construed under the laws of the State of Texas, USA, except for that body of law dealing with conflicts of law. If any provision shall be held by a court of competent jurisdiction to be contrary to law that provision will be enforced to the maximum extent permissible and the remaining provisions of this Limited Warranty will remain in full force and effect.





## CREDITS

---

**Acknowledgments:** Tim Jenison, Jim Plant

**Engineering:** Andrew Cross, Alvaro Suarez, Brian Brice, Cary Tetrick, Charles Steinkuehler, Dan Fletcher, Gil Triana, Greg Heine, James Killian, Jan Uribe, Jarrod Davis, Jeremy Wiseman, John Perkins, Karen Zipper, Kevin Rouviere, Kirk Morger, Mahdi Mohajer, Masaaki Konno, Matt Gorner, Menghua Wang, Michael Watkins, Mike Murphy, Nathan Kovner, Naveen Jayakumar, Ryan Hansberger, Shawn Wisniewski, Steve Bowie, Troy Stevenson, Zack Lounsbury

**Additional thanks to:** NewTek Marketing, Sales, Business Development, Customer Support, Training and Development, and Operations

Trademarks: NewTek, NewTek VMC1, NewTek VMC1 IN, NewTek VMC1 OUT, NewTek NC1, NewTek NC1 IN, NewTek NC1 I/O, TriCaster, TriCaster TC1, TriCaster Advanced Edition, TriCaster XD, TriCaster 8000, TriCaster TCXD8000, TCXD8000, TriCaster 860, TriCaster TCXD860, TCXD860, TriCaster 460, TriCaster TCXD460, TCXD460, TriCaster 410, TriCaster TCXD410, TCXD410, TriCaster Mini SDI, TriCaster Mini, TriCaster 40, TriCaster TCXD40, TCXD40, TriCaster 855, TriCaster TCXD855, TCXD855, TriCaster 455, TriCaster TCXD455, TCXD455, TriCaster EXTREME, TriCaster 850 EXTREME, TriCaster TCXD850 EXTREME, TCXD850 EXTREME, TriCaster 450 EXTREME, TriCaster TCXD450 EXTREME, TCXD450 EXTREME, TriCaster 850, TriCaster TCXD850, TCXD850, TriCaster 450, TriCaster TCXD450, TCXD450, TriCaster 300, TriCaster TCXD300, TCXD300, TriCaster PRO, TriCaster STUDIO, TriCaster BROADCAST, TriCaster DUO, MediaDS, MDS1, 3PLAY, 3Play, 3Play 3P1, 3Play 4800, 3PXD4800, 3Play 440, 3PXD440, 3Play Mini, 3Play 820, 3PXD820, 3Play 425, 3PXD425 3Play 330, 3PXD330, TalkShow, TalkShow VS 4000, TalkShow VS100, Network Device Interface, NDI, NewTek Connect, NewTek Connect Spark, NewTek IsoCorder, ProTek, ProTek Care, ProTek Elite, iVGA, SpeedEDIT, IsoCorder, LiveText, LiveGraphics Creator, LiveGraphics, DataLink, LiveSet, LiveGraphics, TriCaster Virtual Set Editor, Virtual Set Editor Advanced Edition, TriCaster VSE, TriCaster VSE Advanced Edition, LiveMatte, TimeWarp, VT, VT[3], VT[4], V[T5], Video Toaster, Toaster, Inspire 3D, 3D Arsenal, Aura, LightWave, LightWave 3D and LightWave CORE are trademarks, service marks, and registered trademarks of NewTek. All other brand names, product names, or trademarks belong to their respective holders.



**NDI<sup>®</sup>**