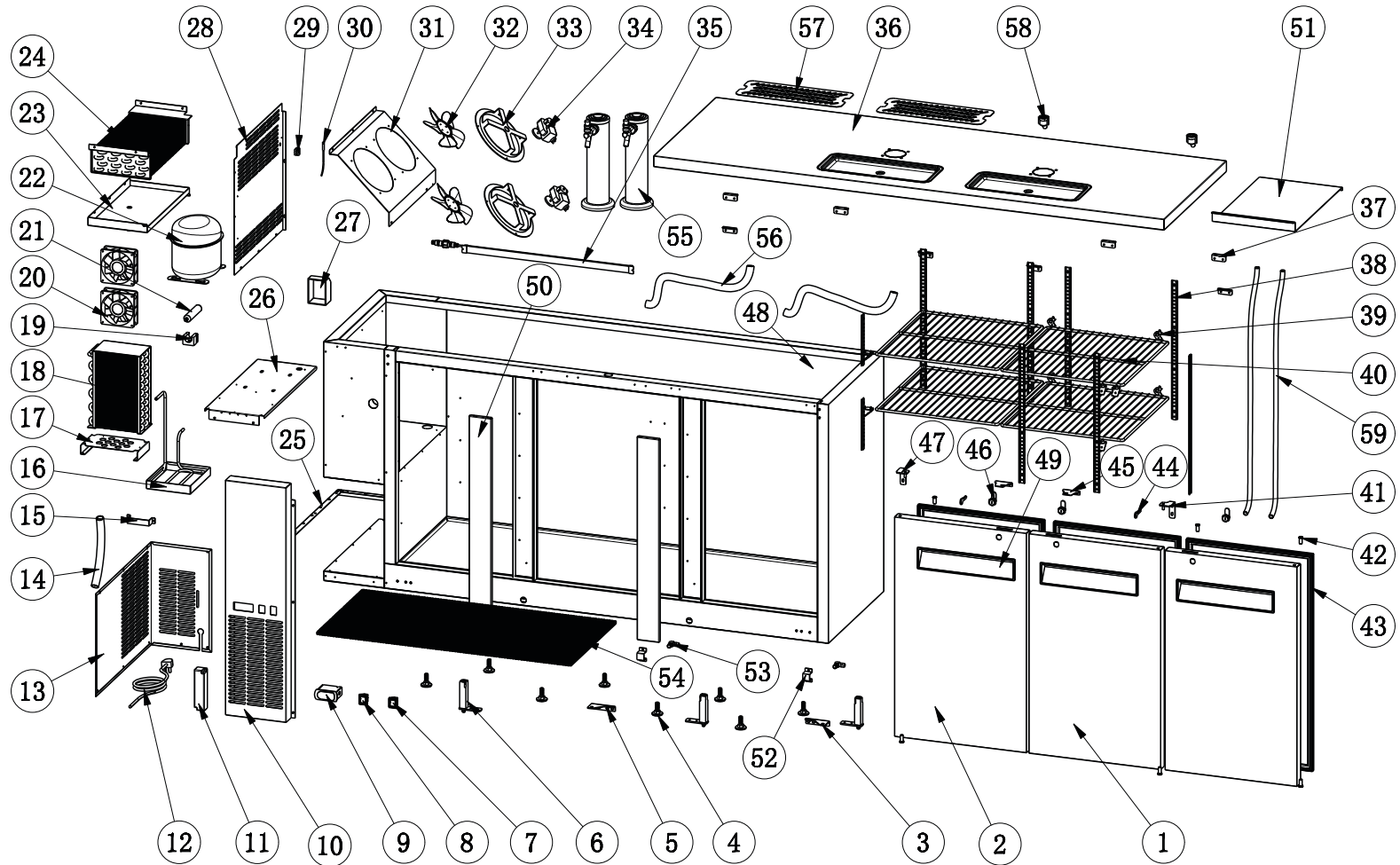


iBeeCool

Parts Breakdown

Model iBC-BD48

Date 10/27/22



IBC-BD48 PARTS LIST

| NO. | NAME | NUMBER | QTY |
|------------|---|---------------|------------|
| 1 | RIGHT DOOR | 2199001130 | 1 |
| 2 | LEFT DOOR | 2199001131 | 2 |
| 3 | BOTTOM RIGHT HINGE | 12517140003 | 2 |
| 4 | LEVELING FEET | 12534030002 | 8 |
| 5 | BOTTOM LEFT HINGE | 12517140005 | 1 |
| 6 | BOTTOM HINGE AXIS | 12517010007 | 3 |
| 7 | POWER SWITCH | 17749211297 | 1 |
| 8 | LED LIGHT SWITCH | 17749180002 | 1 |
| 9 | THERMOSTAT | 17505180005 | 1 |
| 10 | CONTROL PANEL | 22600005188 | 1 |
| 11 | LED POWER SUPPLY | 22753530034 | 1 |
| 12 | POWER CORD | 17664640064 | 1 |
| 13 | BACK GRILLE | 22600005911 | 1 |
| 14 | DRAIN HOSE | 15818180020 | 1 |
| 15 | HANDLE FOR COMPRESSOR INSTALLATION BOARD | 2199001086 | 1 |
| 16 | OUTER DRAIN PAN | 22600005870 | 1 |
| 17 | CONDENSER INSTALLATION BOARD | 22600000139 | 1 |
| 18 | CONDENSER | 17304110152 | 1 |
| 19 | FILTER FIXER | 16369690257 | 1 |
| 20 | CONDENSER FAN MOTOR | 17701151247 | 1 |
| 21 | FILTER | 2400500032 | 1 |
| 22 | COMPRESSOR | 17209010045 | 1 |
| 23 | INNER DRAIN PAN | 16344440008 | 1 |
| 24 | EVAPORATOR | 17406040352 | 1 |
| 25 | FIXED MOUNTS FOR BACK GRILLE | 2199001103 | 1 |
| 26 | COMPRESSOR INSTALLATION BOARD | 22600000136 | 11 |
| 27 | COMPRESSOR COMPONENT | | 1 |
| 28 | EVAPORATOR COVER | 22600005960 | 1 |
| 29 | TEMPERATURE PROBE FIXER | 16357060003 | 1 |
| 30 | TEMPERATURE PROBE | 17649490013 | 1 |

IBC-BD48 PARTS LIST

| NO. | NAME | NUMBER | QTY |
|------------|-----------------------------------|---------------|------------|
| 31 | EVAPORATOR FAN INSTALLATION BOARD | 2199001105 | 1 |
| 32 | EVAPORATOR FAN BLADE | 16381738082 | 1 |
| 33 | EVAPORATOR FAN HOLDER | 12504050201 | 1 |
| 34 | EVAPORATOR FAN MOTOR | 17701190016 | 1 |
| 35 | LED LIGHT | 17740410163 | 1 |
| 36 | TOP BOARD | 22600005957 | 1 |
| 37 | TOP BOARD FIXER | 2199001094 | 8 |
| 38 | K STRIP | 2120601093 | 12 |
| 39 | K CLIP | 5302000003 | 16 |
| 40 | SHELF/LEFT AND RIGHT | 12502012754 | 4 |
| 41 | UPPER RIGHT HINGE | 22600000133 | 2 |
| 42 | AXIS COVER | 16353010008 | 6 |
| 43 | GASKET | 16401000075 | 3 |
| 44 | KEY | 12546310002 | 3 |
| 45 | LOCK PLATE | 2199001097 | 3 |
| 46 | LOCK | 12546100952 | 3 |
| 47 | UPPER LIGHT HINGE | 22600000132 | 1 |
| 48 | CABINET | | 1 |
| 49 | DOOR HANDLE | 16337030003 | 3 |
| 50 | MIDDLE BEAM COVER | 2199001138 | 2 |
| 51 | AIR DEFLECTOR | 2199001139 | 1 |
| 52 | BAFFLE | 2199001328 | 2 |
| 53 | PLASTIC CONNECTOR | 16369690006 | 2 |
| 54 | RUBBER PAD | 16413130007 | 1 |
| 55 | BEER TOWER KIT - ONE TAP | 2599900376 | 2 |
| 56 | CORRUGATED PIPE | 15799990729 | 2 |
| 57 | COVER FOR BEER DRIP PAN | 2199001329 | 2 |
| 58 | DRAIN CONNECTOR FOR BEER DRIP PAN | 22733010002 | 2 |
| 59 | DRAIN HOSE | 15818180013 | 2 |
| | | | |