

# FURRION

1.5 cu.ft OTR CONVECTION  
MICROWAVE OVEN  
FMCM15-SS



**1500W**

MICROWAVE

**1450W**

CONVECTION

**1.5**  
cu. ft.

CAPACITY



LED DISPLAY



10 POWER LEVELS



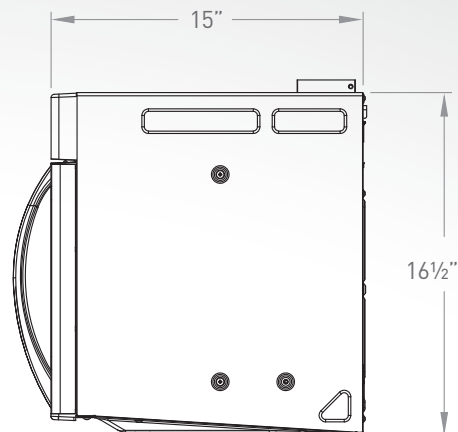
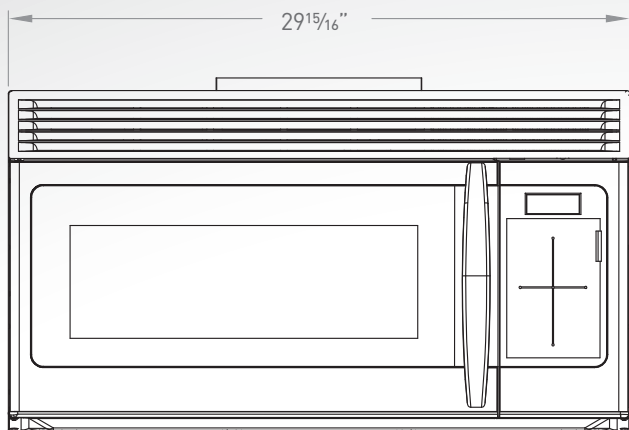
TURNTABLE

- Multi-microwave convenience cooking controls, makes operation quick and easy
- Defrosting times and power levels are programmed automatically or manually for optimal results
- Speed bake convection and microwave cooking combine to deliver fast oven-quality results

- Two-speed, 300 CFM venting system removes smoke, steam and odors efficiently
- Large 1.5cu.ft capacity with 1500W microwave and 1450W convection features
- Convection cooking feature for baking and roasting



# FMCM15-SS | 1.5 cu.ft OTR CONVECTION MICROWAVE OVEN



## Specifications

Oven Capacity	1.5cu.ft. (42L)
Power Source	120V/60Hz
Rated Output Power (Microwave)	900W
Rated Output Power (Convection)	1450W
Rated Input Power (Microwave)	1500W
Display Type	LED
Control Method	Electronic
Door Opening Type	Handle
MW Type	Turntable
Turntable Diameter	Ø13.6"
Turntable Material	Glass
Power Level	10
Max Cooking Time	99"99"
Auto Cook	✓
Child Lock	✓
Reminder End Signal	✓

## Dimensions

Product Size (L x H x W)	29 15/16" x 16 1/2" x 15" (759.5 x 419.1 x 381mm)
--------------------------	--

## Packaging Information

Packaging Type	Brown Carton Box
Quantity Per Box (pcs)	1
Individual Packaging Dimensions (L x H x W)	33 5/16" x 20 1/8" x 19 5/16" (845 x 510 x 490mm)
Individual Packaging Gross Weight (kg/lbs)	30.1/66.4
Individual Packaging Net Weight (kg/lbs)	32.5/71.7

## Container Load Information

20' Container Load (pcs)	
40' Container Load (pcs)	
40'HQ Container Load (pcs)	330