



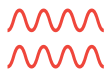
FF34SW15A-BL



FF34SW15A-SS



WORKS WITH
UNIMOTE



VIBRATIONSMART™



CLIMATESMART™



OVERHEATING
SAFETY CUT-OFF



SLIDE-OUT
SAFETY CUT-OFF



TEMPERATURE
CONTROL SETTINGS



HEAT UP
TO 500sq.ft



SIMULATED WOOD
WITH 4-LEVEL LED
FLAME TECHNOLOGY

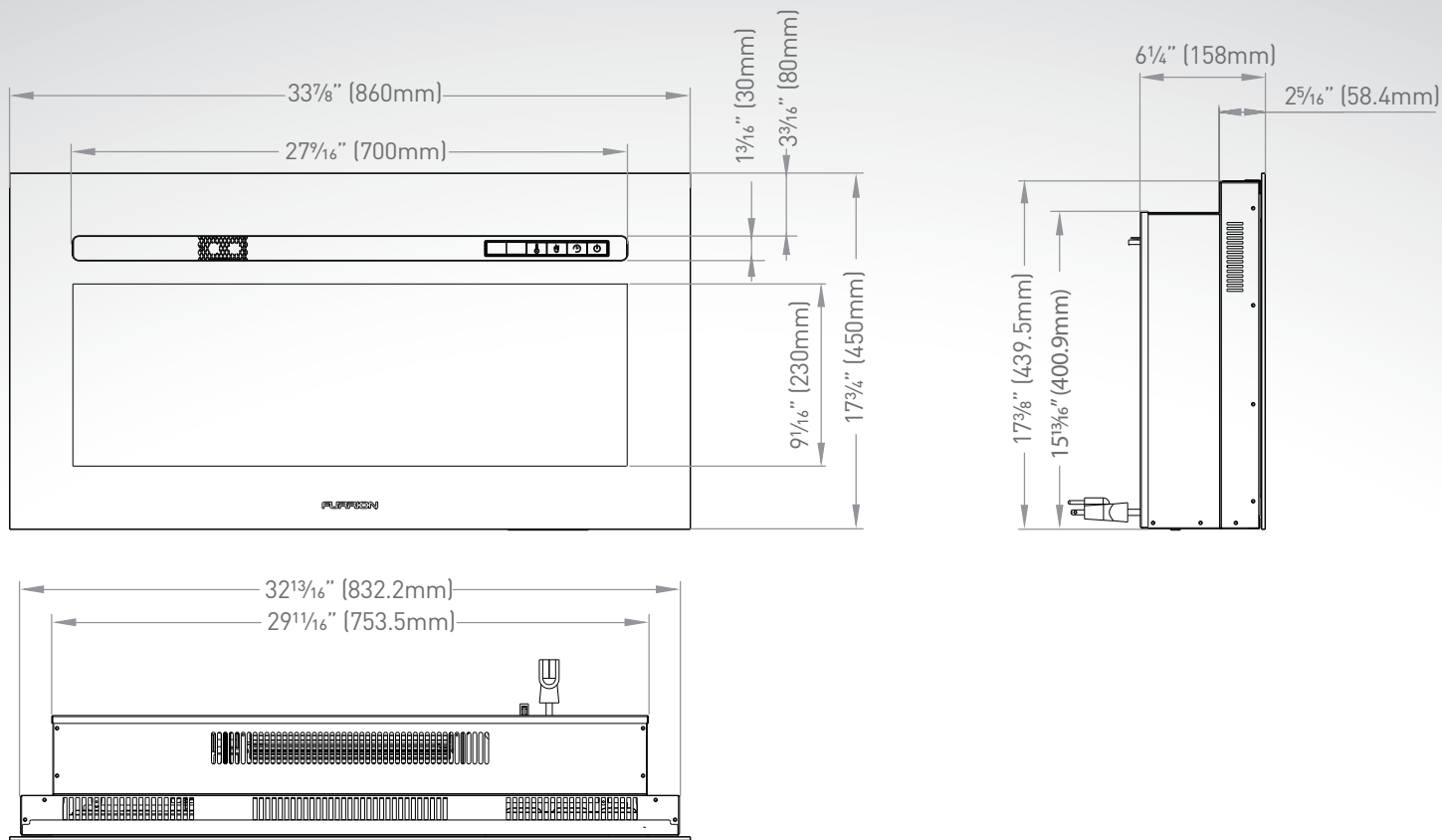


TIMER

- Flame effect technology: traditional flame
- 4 flame brightness settings
- Black tempered glass front panel
- LED control board
- Temperature control
- Slide-out safety cut-off: close proximity sensor switches power off automatically
- Adjustable temperature settings from 65°F to 95°F
- Timer setting up to 5 hours
- Remote control included



FF34SW15A | 34" BUILT-IN ELECTRIC FIREPLACE



Specifications

Rated Voltage	AC 120V/60Hz
Heating Output	750W/1465W
LED Control Board	✓
Timer	✓
Log Fuel Effect	✓
Remote Type	IR

Dimensions

Product Size (W x H x D)	33 ⁷ / ₈ " x 17 ³ / ₄ " x 6 ¹ / ₄ " (860 x 450 x 158mm)
--------------------------	--

Packaging Information

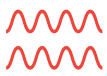
Packaging Type	Brown Carton Box
Quantity Per Box (pcs)	1
Individual Packaging Dimensions (W x H x D)	35 ¹ / ₁₆ " x 19 ¹ / ₂ " x 8" (905 x 495 x 202mm)
Individual Packaging Gross Weight (kg/lbs)	20/44.1
Individual Packaging Net Weight (kg/lbs)	17/37.5

Box Container Qty

20' - Box Container Qty	300
40' - Box Container Qty	600
40'H - Box Container Qty	680



WORKS WITH
UNIMOTE



VIBRATIONSMART™



CLIMATESMART™



OVERHEATING
SAFETY CUT-OFF



SLIDE-OUT
SAFETY CUT-OFF



TEMPERATURE
CONTROL SETTINGS



HEAT UP
TO 500sq.ft



SIMULATED WOOD
WITH 4-LEVEL LED
FLAME TECHNOLOGY

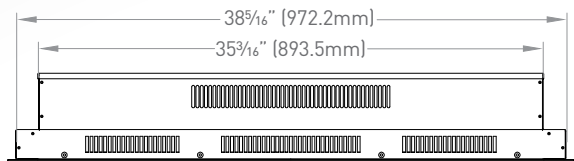
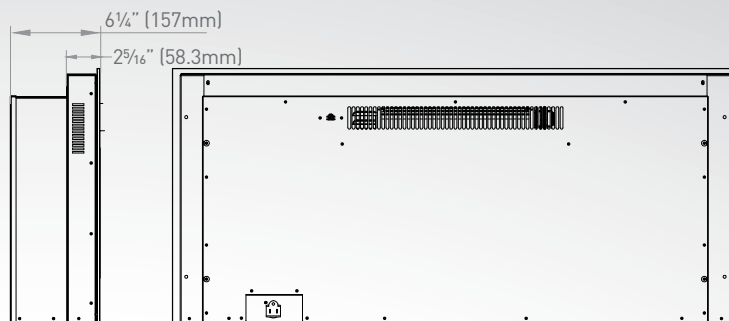
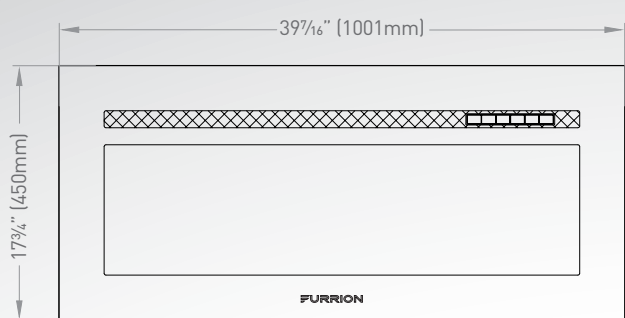


TIMER

- Flame effect technology: traditional flame
- 4 flame brightness settings
- Black tempered glass front panel
- LED control board
- Temperature control
- Slide-out safety cut-off: close proximity sensor switches power off automatically
- Adjustable temperature settings from 65°F to 95°F
- Timer setting up to 5 hours
- Remote control included



FF40SW15A-BL | 40" BUILT-IN ELECTRIC FIREPLACE



Specifications

Rated Voltage	AC 120V/60Hz
Heating Output	750W/1465W
LED Control Board	✓
Timer	✓
Log Fuel Effect	✓
Remote Type	IR

Dimensions

Product Size (W x H x D)	39 7/16" x 17 3/4" x 6 1/4" (1001 x 450 x 157.5mm)
--------------------------	---

Packaging Information

Packaging Type	Brown Box
Quantity Per Box (pcs)	1
Individual Packaging Dimensions (W x H x D)	49 13/16" x 19 1/2" x 8" (1045 x 495 x 202 mm)
Individual Packaging Gross Weight (kg/lbs)	22 / 48.5
Individual Packaging Net Weight (kg/lbs)	20 / 44.1

Container Load Information

40'HQ Container Load (pcs)	615
----------------------------	-----

FURRION

60" BUILT-IN ELECTRIC FIREPLACE FF60SW15A



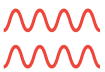
FF60SW15A-BL



FF60SW15A-SS



WORKS WITH
UNIMOTE



VIBRATIONSMART™



CLIMATESMART™



OVERHEATING
SAFETY CUT-OFF



SLIDE-OUT
SAFETY CUT-OFF



TEMPERATURE
CONTROL SETTINGS



HEAT UP
TO 500sq.ft



SIMULATED WOOD
WITH 4-LEVEL LED
FLAME TECHNOLOGY

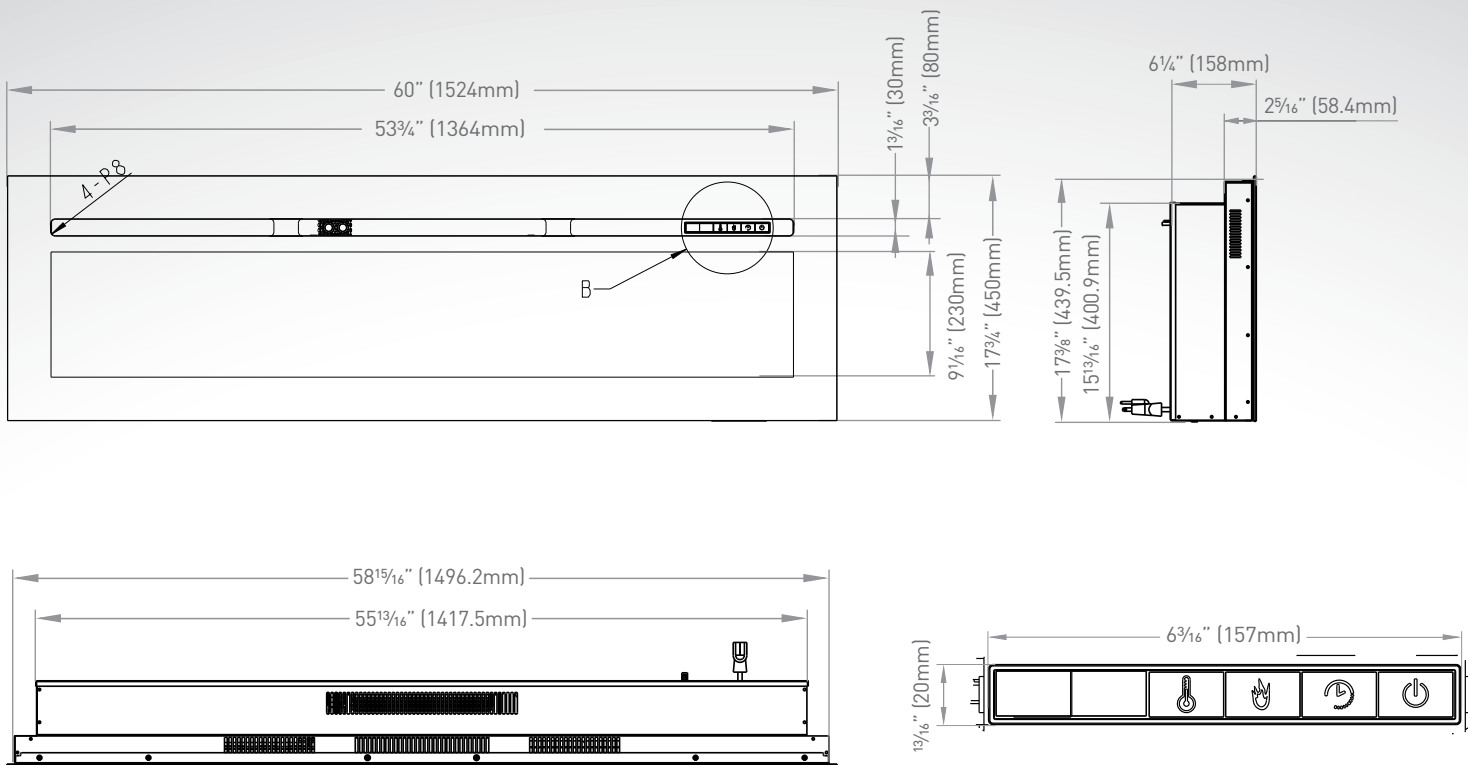


TIMER

- Flame effect technology: traditional flame
- 4 flame brightness settings
- Black tempered glass front panel
- LED control board
- Temperature control
- Slide-out safety cut-off: close proximity sensor switches power off automatically
- Adjustable temperature settings from 65°F to 95°F
- Timer setting up to 5 hours
- Remote control included



FF60SW15A | 60" BUILT-IN ELECTRIC FIREPLACE



Specifications

Rated Voltage	AC 120V/60Hz
Heating Output	750W/1465W
LED Control Board	✓
Timer	✓
Log Fuel Effect	✓
Remote Type	IR

Dimensions

Product Size (W x H x D)	60" x 17 3/4" x 6 1/4" (1524 x 450 x 158mm)
--------------------------	--

Packaging Information

Packaging Type	Brown Carton Box
Quantity Per Box (pcs)	1
Individual Packaging Dimensions (W x H x D)	62 3/8" x 22 13/16" x 8" (1583 x 577 x 202mm)
Individual Packaging Gross Weight (kg/lbs)	29/64
Individual Packaging Net Weight (kg/lbs)	27/59.6

Container Load Information

45' HQ Container Load (pcs)	460
-----------------------------	-----

* Note: "✓"=Equipped