

FV Ginneton



FV Ginneton - 50 m Purse Seiner/ Trawler.
 Delivered in 1998 by West Contractors AS, Ølensvåg, Norway as yard no. 15 to Fiskeri AB Ginneton owned by Kurt, Sture and Thor Claeson, Fiskebäck, Sweden. The design is by Vik & Sandvik AS, Fitjar, Norway. The vessel is a sistership to yard no. 14 – FV Ganthi also delivered by West Contractors AS in 1998.

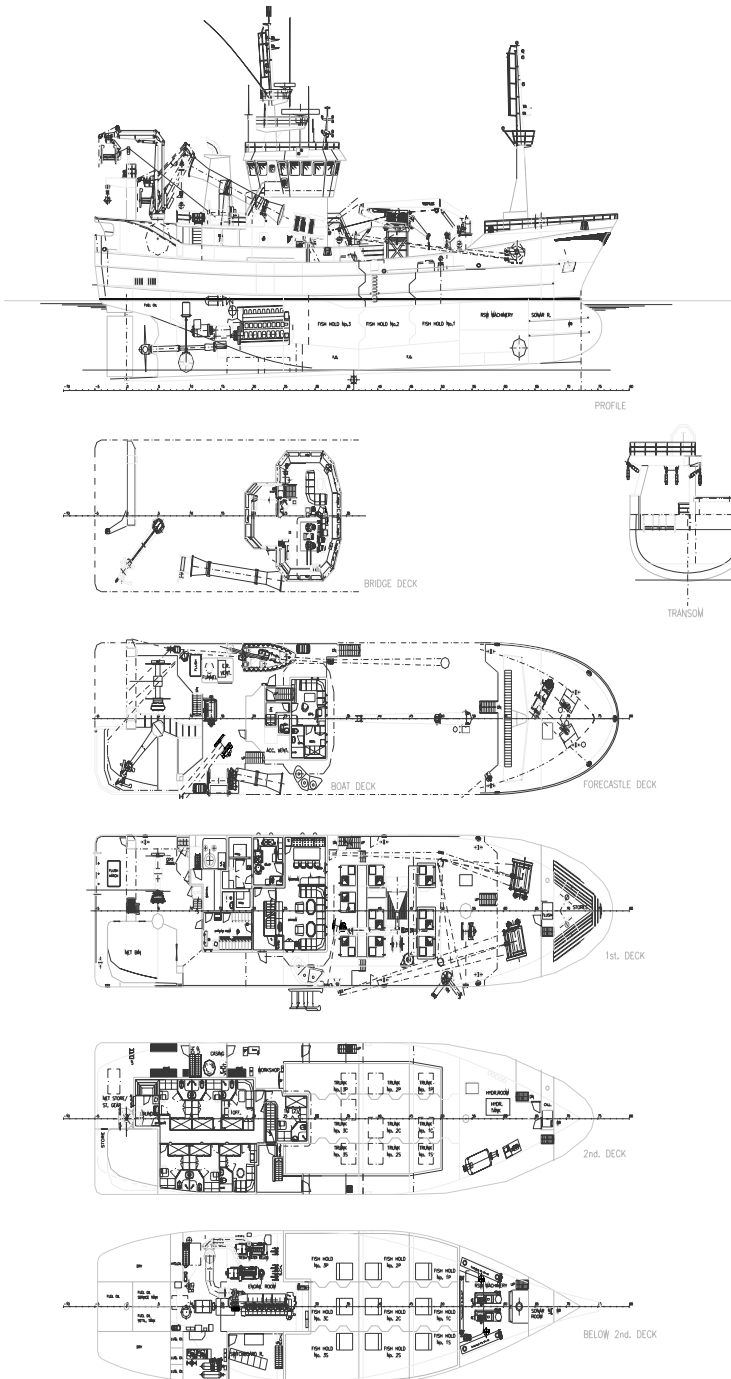
Principal particulars

Length o.a.:	49,90 m
Length p.p:	43,40 m
Breadth mid:	11,00 m
Depth to 1 st deck:	6,90 m
Depth to 2 nd deck:	4,50 m
Gross tonnage:	846 Brt.
Speed:	16,0 knots
Class:	DnV + 1A1 Fishing vessel, ICE

Contact:

West Contractors AS
 NO-5582 Ølensvåg, Norway
 Tel: +47 53 77 50 00
 Fax: +47 53 77 50 01
 E-mail: westcon@westcon.no

www.westcon.no



Main Engine

Make: MaK
 Type: 9M25
 Power: 2700 kW
 Power take out: Stamford shaftgenerator 1300 kW
 Gear: Reintjes LAF 5545
 Propulsion: Stamford Propulsion AB
 Propel 3500 mm, 165 rpm

Auxiliary engines

Make: 2 x Volvo Penta
 Type: 2 x TAMD 163
 Power: 2 x 357 kW

Sidethrusters

Make: 2 x Brunvoll
 Type: 2 x FV-45-LTC-1225
 Power: Aft 404 kW and fwd 250 kW

Electronical equipment

Radar A: Decca C253, Bridgemaster 20 ARPA 10 cm
 2110 3 cm
 Radar B: Sodena
 Chartplotter: Skipper ET-128, 38/200 kHz
 Echo sounder A: Skipper ET-128, 38/50 kHz
 Echo sounder B: Kajo HF KCH 1828
 Sonar 1: Kajo LF KHC 228,24 kHz
 Sonar 2: Sailor, inmarsat-C
 Satcom system: Sailor
 Main radio system: Sailor R 501
 Second radio TX/RX: Sperry RS 140
 Watch receiver: Navitron Autopilot
 Gyro: 2 x Phillips Navigator GPS/DGPS
 Autopilot system: Sailor VHF RT-2048
 GPS: Jotron Tron 30S MK2
 VHF:
 Handheld VHF:

Special Equipment

Fuel oil separator system: Alfa Laval
 Air Compressors: Sperre HLF2/77
 Machine room pumps: Allweiler Norge
 Evaporator: Alfa Laval JWP-16-C40
 Engine room ventilation: Nyborg
 Acc. Ventilation: Covent
 Main alarm system: Steingo
 Engine room CO2Plant: Alf Lea
 Ballast monitoring system: Ulstein
 Vacuum pump system: Önnereids Svets AB
 RSW Cooling systems: Aquaterm AS
 Mob-boat: Weedo 17 peilo/40 hp
 Liferafes: 2 off UFAS, Viking DK16
 Navigational Lights: Tranberg
 Searchlight: Norselight

Capacities

RSW-tanks: 719 m³
 Fuel oil: 199 m³
 Fresh water: 29 m³
 Water ballast: 59 m³
 Accommodation: 14 men

Deck equipment

Deck Crane fwd: SM Triplex, KN-50/4,0 ton
 Deck crane aft: SM Triplex, KN-16/2,0 ton
 Netwinch: SM Triplex, 840/500/2SN max 18,5 ton
 Netstacker: SM Triplex, NK-5012 SWL 4 ton 1,5-10,1 m
 Net roller: SM Triplex TRH-73
 Ring needle: SM Triplex, RN-75
 Anchor winch: Rapp Hydema, AMW-32/10-7,5/110
 Split winches: Rapp Hydema, 2xTWS-3030 2x32,2 ton
 Life line winch: Rapp Hydema, SW-3500_B 24,3 ton
 Aux. winch: Rapp Hydema, GW-2000B 12,3 ton
 Fish hose reel: Rapp Hydema, FHR-680-3, 27-16 4,6 ton
 Hydraulic-hose reel: Rapp Hydema, STH-D 0,42 ton
 Fish pump: Rapp Hydema, CP-2005-RHT-16 2500m³/time
 Aux. Winch: Rapp Hydema, GW-200 3,7 ton
 Net dryer winch: Rapp Hydema, SW-3500-B 32 ton
 Net drum: Rapp Hydema, ND-3500-B 35 ton Cable winch: Rapp Hydema, SOW-500 4 ton