

Industry Carton



Color Box



## FRESH WATER PUMP 41 SERIES(Long)

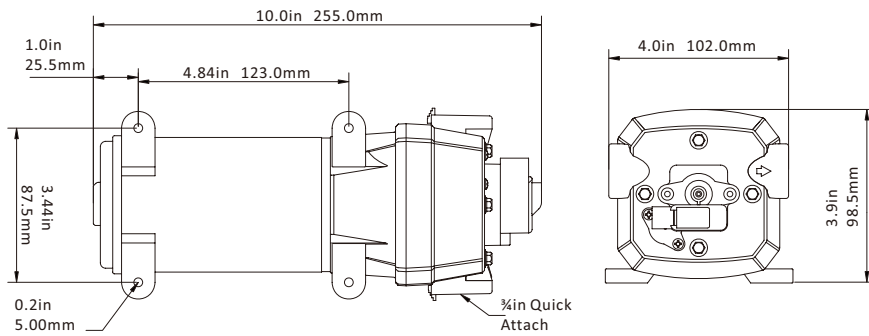
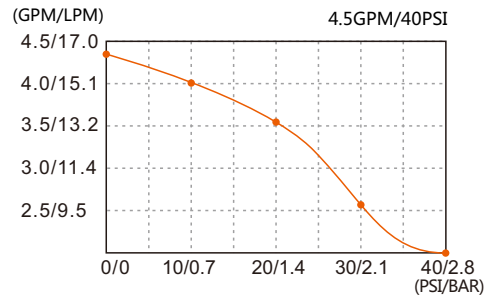
### FEATURES & BENEFITS

- Up to 4.5 GPM
- Can supply up to 4 fixtures
- Quick-Connect fittings
- Self priming
- Run dry safe
- On-demand use
- Industry Standard mounting pattern
- Rubber mounting-feet
- Can be used for Fresh & Salt Water
- Adjustable pressure switch
- 16 AWG, 4.5" Long Leads

### PUMP

- Max Recommended Temperature**  
140 °F (60 °C) Max.
- Priming Capabilities**  
6 feet (1.8 m) suction lift
- Inlet/Outlet Ports**  
Quick Attach
- Weight**  
5.0 lbs (2.30 kg)

### PERFORMANCE



### Standard Accessories



### STANDARD PUMP CONFIGURATIONS

Model	Voltage	Control Type	GPM/LPM	PSI/BAR	Max Draw(A)	Valves	Diaphragm	Ports	Wire Connections
SFDP1-045-040-41	12 V	Switch & By pass	4.5/17.0	40/2.8	16.5	EPDM	Santoprene	Quick Attach	2-Pin/Leads
SFDP2-045-040-41	24 V	Switch & By pass	4.5/17.0	40/2.8	8.0	EPDM	Santoprene	Quick Attach	2-Pin/Leads