



Blister

LIVEWELL/BAITWELL PUMPS 04 SERIES 350/600/800 GPH

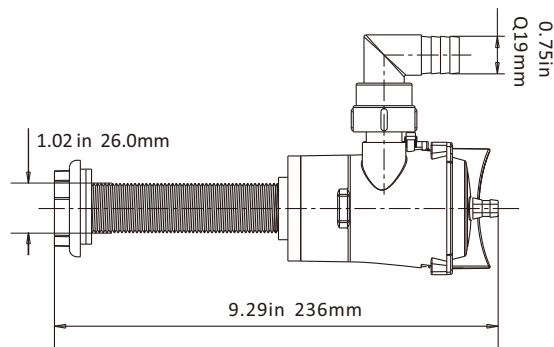
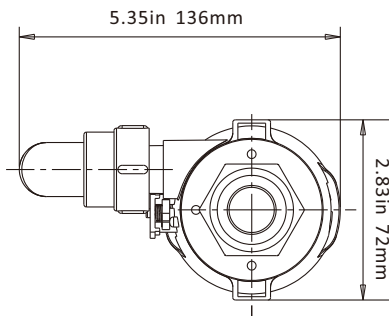
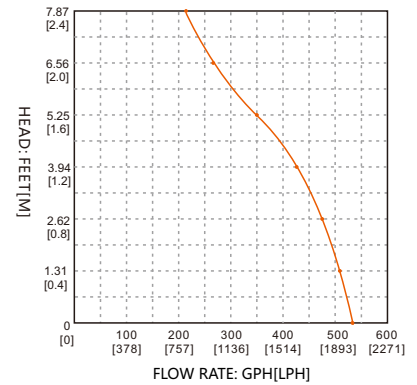
FEATURES & BENEFITS

- Robust, easy click-in, replaceable motor
- Built-in through-hull
- Water cooled motor housing
- Flow: 350, 600 & 800 gph in 12 volt version
- Marine grade blocked wiring
- Stainless steel shaft
- Quiet and vibrationless operation
- 18 AWG, 1 m long Leads

MOTOR

- Type**
Cartridge-Style, easy replace, long life motor
- Temperature Limits**
110 °F (43 °C) Max.
- Duty Cycle**
Intermittent
- Voltage**
12 v

600GPH PERFORMANCE



STANDARD PUMP CONFIGURATIONS

Model	Flow rate	Volts	Current	Head	Wire lead	Outlet Dia.	N.W./G.W.
SFBP1-G350-04	350 GPH	12 V	1.0 A	3.0 m / 10'	1 m / 3'	19 mm / 3/4"	0.4 / 0.5 kg
SFBP1-G600-04	600 GPH	12 V	3.0 A	3.5 m / 11.5'	1 m / 3'	19 mm / 3/4"	0.4 / 0.5 kg
SFBP1-G800-04	800 GPH	12 V	4.0 A	4.0 m / 13'	1 m / 3'	19 mm / 3/4"	0.4 / 0.5 kg