

## 3-WAY SWITCH PANEL

### Features & Benefits

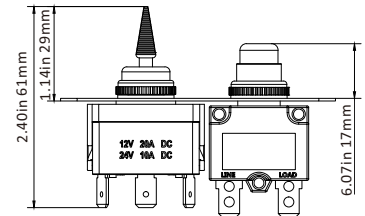
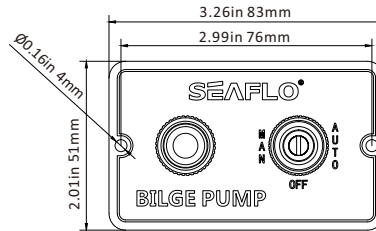
- LED indicator when switch is on
- Control any pump equipped with a float switch
- Prevent impact of intermittent high current
- Toggle has three positions (automatic, off, or manual)
- SFSP-015-01 is black aluminum panel
- SFSP-015-02 is black plastic panel



Blister

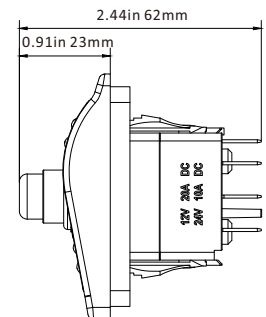
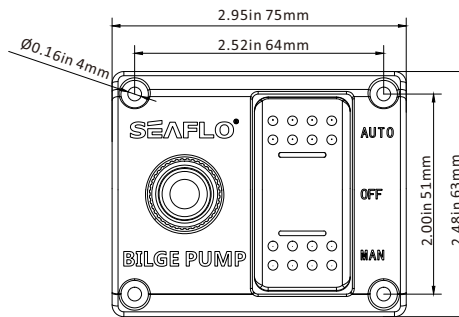


Blister



### STANDARD PUMP CONFIGURATIONS

Model	Volts	Fuel	Led Light	Panel Material	Position	N.W.	Dimension
SFSP-015-01	12 V & 24 V	15 A	Yes	Aluminum	MAN-OFF-AUTO	60 g	83 mm*51 mm



### STANDARD PUMP CONFIGURATIONS

Model	Volts	Fuel	Led Light	Panel Material	Position	N.W.	Dimension
SFSP-015-02	12 V & 24 V	15 A	Yes	Plastic	MAN-OFF-AUTO	62 g	75 mm*63 mm