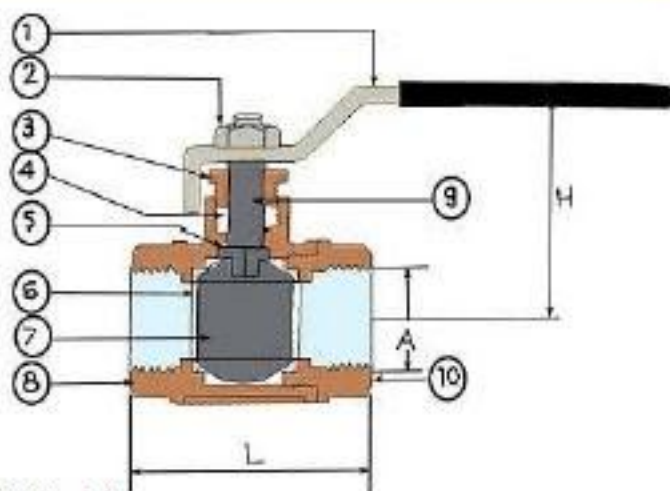


BRONZE BALL VALVE

MSA Code: BBV

Catalogue: Valving, Page 7



Maximum Working Pressure: 14.6 Kg/cm² (200 psig)

Maximum Permissible Temperature: 225° C (437° F)

Hydraulic Test Pressure: 21.1 Kg/cm² (300 psig)

MATERIALS

PART NO.	NAME OF PARTS	MATERIAL
1	Handle	S/S 304
2	Nut	S/S 304
3	Gland Nut	Leaded Tin Bronze
4	Gland Packing	Teflon
5	Stem Seal	Teflon
6	Seat	Teflon
7	Ball	S/S 316
8	Body	Leaded Tin Bronze
9	Stem	S/S 316
10	Bonnet	Leaded Tin Bronze

DIMENSIONS IN MM

Inch	MM	A	L	H
1/2"	15	1/2" BSP	60	50
3/4"	20	3/4" BSP	62	55
1"	25	1" BSP	72	70
1-1/4"	32	1-1/4" BSP	85	82
1-1/2"	40	1-1/2" BSP	99	92
2"	50	2" BSP	120	105
2-1/2"	65	2-1/2" BSP	142	250
3"	80	3" BSP	161	280
4"	100	4" BSP	210	325