

■ Features

- Absolute Supply Voltage: 90-305Vac or 127-420Vdc, 380Vac for 2 hours
- Horticultural Customizable Configuration
- Constant Current Design
- 95% Efficiency Max.
- Low Inrush Current
- 100,000 Hour Life @ Tc=75°C
- 7 Year Warranty @ Tc<=75°C
- NFC Programmability and Isolated Dimming
- +/-2% Output Current Accuracy (Programmable Model)
- 0-10V/PWM/Time/DALI /DMX (Optional) Dimmable
- Dim Off with 0.5W Standby Power
- 12V 300mA Auxiliary Power to Power Controllers and Fans
- UL Class P, ENEC/CB/CCC SELV Output
- Safety according to EN 61347-1, 61347-2-3, 61347-2-13, 623847
- 5+ year warranty
- Near Field Communication Programmability

RoHS Compliant



■ Application

- Bay lights, Pole lights, Stadium lights, Horticultural lighting

■ Model List (See appendix for more details about the operation range)

Model Number	Input Voltage Range	Output Power	Output Voltage	Output Current Min	Output Current Max	Efficiency	Certification
LWA800-C1800-XYZ	90-305Vac	800W	30-56Vdc	14500mA	18000mA	>95%	UL/cUL
LWA800-C860-XYZ	90-305Vac	800W	56-133Vdc	6000mA	8600mA	>95%	UL/CUL
LWA800-C600-XYZ	90-305Vac	800W	80-190Vdc	4200mA	6000mA	>95%	UL/cUL
LWA800-C420-XYZ	90-305Vac	800W	114-286Vdc	2800mA	4200mA	>95%	UL/FCC

Ordering Options	XY=	Dimming Method	Programmable	12Vaux	Dim-off
	NN	-	-	-	-
	DN	0-10V	Cable	-	No Dim-off as default status, programmed to have Dim-off
	EN	0-10V	Cable	300mA	√
	TR	Time/Set Current	NFC Wireless	-	-
	DR	0-10V	NFC Wireless	-	No Dim-off as default status, programmed to have Dim-off

Technical Sales / Customer Service: +1-818-338-7788 • Email: sales@autec.com
 31328 Via Colinas Suite 102 • Westlake Village, CA 91362 USA • www.autec.com

August 27, 2021

	ER	0-10V/PWM/Timer	NFC Wireless	300mA	√
	AR	DALI	NFC Wireless	-	√
	MX	DMX	√	-	√
Cable Options	Z=	K=UL cable with ground wire (green), S=VDE cable/Class I, D=VDE cable/Class II			
External Thermal Protection NTC Option	-THR	LWA800-C1100-XYZ-THR			

*If ordering DMX, Customer must specify DMX512 or RDM

DMX Notes: Works with DMX-512 Presently. DMX Dimming range 10-100% (1% DMX command will be treated as 10% Dimming). Recommended number of LED drivers per DMX channel is ~32, and ~40 meter (132 ft) drop length. You may need a DMX signal amplifier for quantities above 32 drivers per channel, with a maximum allowed of 150 drivers per single channel.

■ Technical Data

Input Voltage	90-305Vac or 127-420Vdc, 380Vac for 2 hours
Input Frequency	47~63Hz
Power Factor	>0.9@60-100%load, refer to PF vs. Load curve
THD	<15%@60-100%load, refer to THD vs. Load curve
Input Current	7.5Amax@120Vac & Full-Load, 3.3Amax@277Vac & Full-Load
Inrush Current	10A peak, 2.2ms duration, <0.15A2s@220Vac, Cold Start 15A peak, 2.3ms duration, <0.35A2s@2770Vac, Cold Start
Leakage Current	1mA max @277Vac 60Hz, UL8750, 0.75mA max @220Vac 50Hz, IEC61347-1
Input Under Voltage	Shut down and auto-restart
Surge Protection	Line to line 6kV, line to ground 10kV, IEC 61000-4-5
Current Accuracy	±5%Io for non programmable models, ±2%Io for programmable models
Ripple Current	Ip-p:5%Io max
Setup Time	1.2s max
Overshoot	10% Io max & LED Load
Output Over Voltage	110% Vomax, typ.
Short Circuit	Auto recovery. The output recovers when short is removed.
Over Temperature	Lower the output current when $T_c \geq 105 \pm 10^\circ\text{C}$; Auto Recovery When $T_c \leq 70 \pm 10^\circ\text{C}$
Auxiliary Power (Vaux)	12V+/-5%, 300mA max
Operating Temperature	Case Temperature $T_c = -40^\circ\text{C} \sim +90^\circ\text{C}$; 10%RH~100%RH
Storage Temperature	$-40^\circ\text{C} \sim +85^\circ\text{C}$; 5%RH~100%RH
MTBF	$\geq 320,000$ hours, 75°C case temperature (MIL-HDBK-217F)
Lifetime	$\geq 100,000$ hours, 75°C case temperature, refer to life vs. T_c curve
Case Temperature	90°C max, marked in the T_c point of label
Dimensions	9.33 x 4.92 x 1.93 by inch (body), 10.3 x 4.92 x 1.93 by inch(endcaps included) 237 x 125 x 49 by mm (body), 262 x 125 x 49 by mm (endcaps included)
Net Weight	2600g
Packing	8pcs/Carton/22.8kg, 490 x 370 x 250 by mm

Notes: Unless specified, all the test results are measured in 25°C room temperature.

Technical Sales / Customer Service: +1-818-338-7788 • Email: sales@autec.com
31328 Via Colinas Suite 102 • Westlake Village, CA 91362 USA • www.autec.com

August 27, 2021

Disclaimer:

Autec Power Systems' (Autec) LED Drivers are Hi-Pot tested during the manufacturing process. Autec assumes no responsibility for secondary Hi-Pot testing at customer location or designated production line(s). Should customer require further Hi-Pot testing, at their own production line, following assembly of the LED Driver into the customer's assembled fixture, Autec requests advance notice. This request must be communicated to Autec in a timely manner and is recommended to be requested at time of issuing each purchase order.

■ Safety/EMC Compliance

Safety Standard	Description
UL8750	Light emitting diode (LED) equipment for use in lighting products
UL1012	Power units other than class 2
IEC 61347-1	Lamp control gear Part 1: general and safety requirements
IEC 61347-2-13	Lamp control gear Part 2-13: particular requirement for d.c. or a.c. supplied electronic control gear for LED modules
EMI Standards	Description
IEC 55015	Conducted emission test & radiated emission test
IEC 61000-3-2	Harmonic current emissions; Class C
IEC 61000-3-3	Voltage fluctuations & flicker
FCC Part 15	ANSI C63.4:2009 Class B
EMS Standards	Description
IEC 61000-4-2	Electrostatic discharge (ESD): 8 kV air discharge, 4 kV contact discharge
IEC 61000-4-3	Radio frequency electromagnetic field susceptibility test (RS)
IEC 61000-4-4	Electrical fast transient (EFT)
IEC 61000-4-5	Surge immunity test
IEC 61000-4-6	Conducted radio frequency disturbances test (CS)
IEC 61000-4-8	Power frequency magnetic field test
IEC 61000-4-11	Voltage dips
IEC 61547	Electromagnetic immunity requirements applies to lighting equipment

■ Dimming

Parameter	Min.	Typ.	Max.
Vdim Sourcing Current	200uA	300uA	450uA
Vdim Allowed Input Voltage	-20 V	-	20 V
0-10V Dimming Range	10% (Vdim=1V)	Linear	100% (Vdim=9~10V)
PWM Dimming Range	10% (Duty=10%)	Linear	100% (Duty=90-100%)
Dim off threshold	0.4V or 4%	0.5V or 5%	0.6V or 6%
Dim on threshold	0.6V or 6%	0.7V or 7%	0.8V or 8%
PWM High	3.8V	-	10V
PWM Low	0V	-	0.6V

Technical Sales / Customer Service: +1-818-338-7788 • Email: sales@autec.com

31328 Via Colinas Suite 102 • Westlake Village, CA 91362 USA • www.autec.com

August 27, 2021

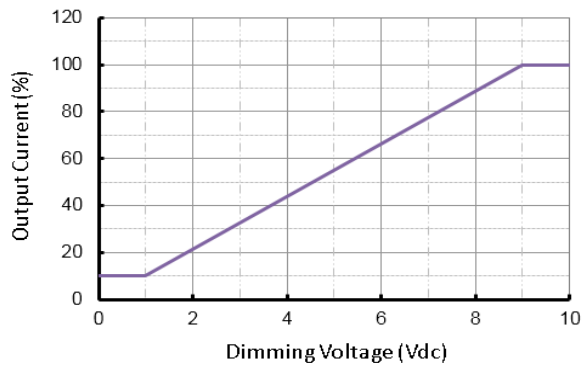
3 / 15

PWM Frequency	300Hz	-	2kHz
External PWM Controller Current Sinking Capability	300uA	-	-
DALI Interface Standard	IEC62386		
DA1,DA2 High Level	9.5	16	22.5
DA1,DA2 Low Level	-6.5	0	6.5
DA1,DA2 Current	0		2mA

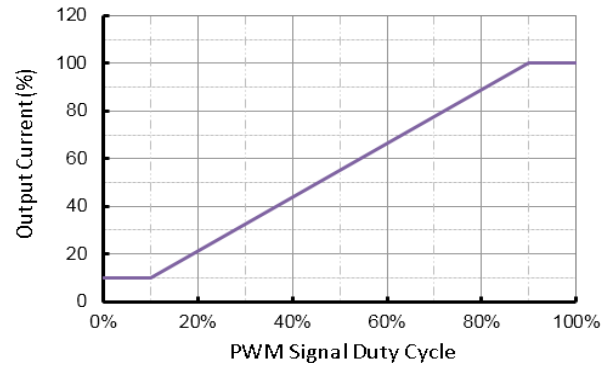
Dimming Curve

a. Without dim-off

0-10V Dimming Curve

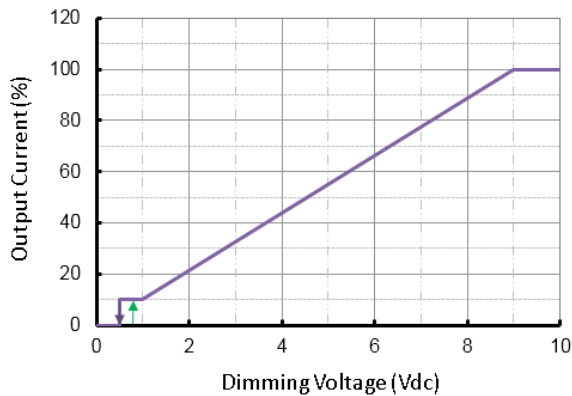


PWM Dimming Curve

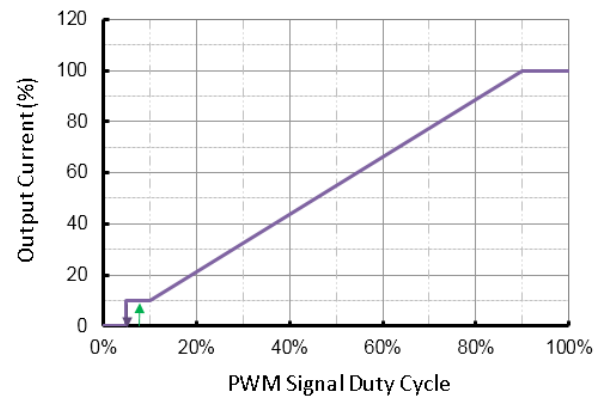


b. With dim-off

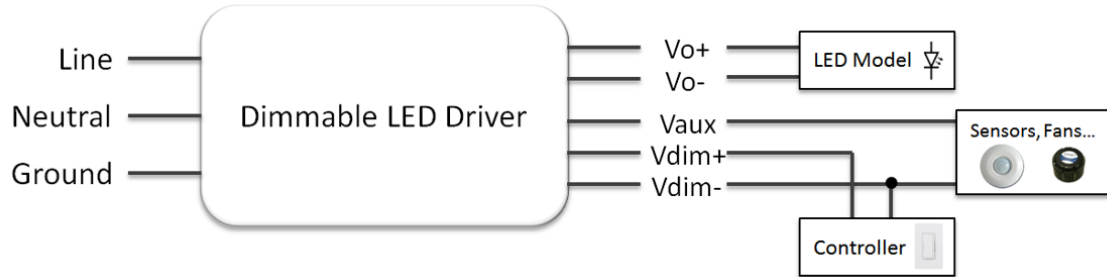
0-10V Dimming Curve



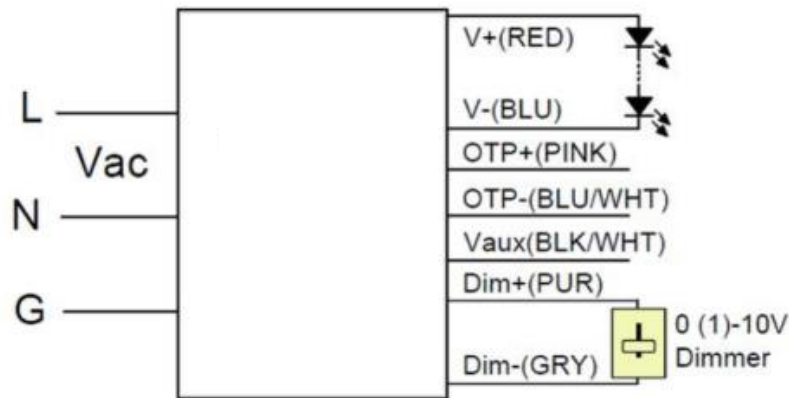
PWM Dimming Curve



- Dimming Wiring



■ Wiring Diagram/Optional External Thermal Protection



■ External Thermal Protection Table(optional)

Parameter		Min.	Typ.	Max.	Notes
External Thermal Protection NTC	R1	-	7.81 kOhm	-	When R_NTC falls below R1, External Thermal Protection is triggered, reducing output current until R2 is reached.
	R2	-	4.16 kOhm	-	When R_NTC is less than R2, output current is reduced to the programmed "Protection Current Floor."
	Protection Current Floor	10%loset	60%loset	100%loset	10%loset>lomin (default setting is 60%)
lomin		60%loset	100%loset	10%loset≤lomin (default setting is 60%)	

■ Near Field Communication Programmability

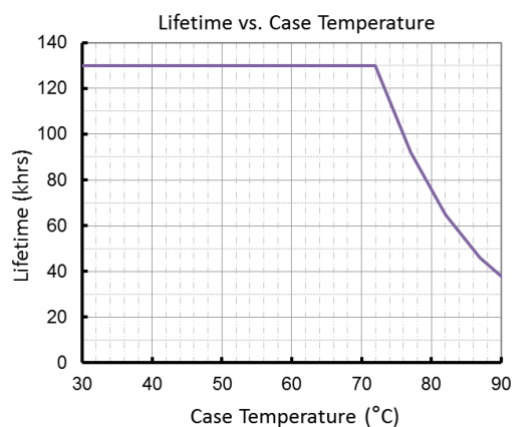


Programming Module
REF. Part# UPRG-NFC

NOTES:

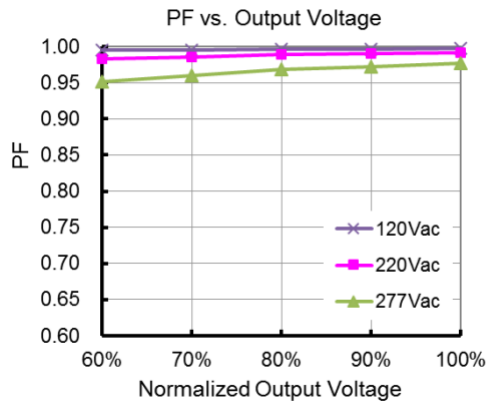
1. The Near Field Communication programming module is used to program the output current, voltage, dimming, and timer settings.
2. The programming function is a non-contact process, which is safer and more efficient compared to traditional programming methods.
3. During programming the LED Driver does not require any external power source.
4. REF. Ordering part number UPRG-NFC (includes programming module, USB cable, and *software).
5. Contact Autec Sales for User Guide and programming software for complete programming instructions.

■ Lifetime vs. Case Temperature

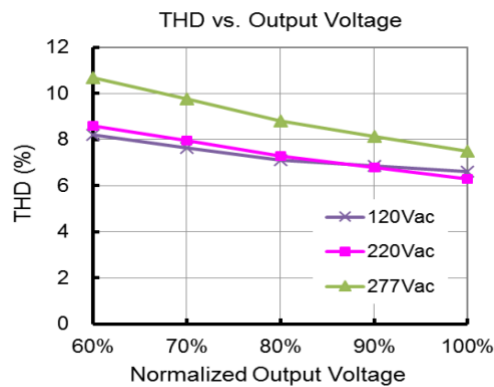


(End of Life: Maximum Failure Rate=10%)

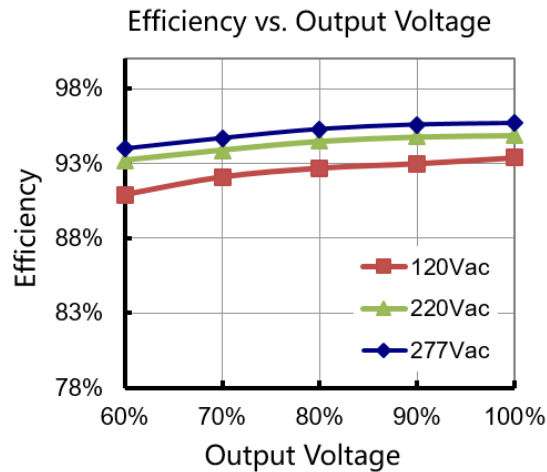
■ Power Factor vs. Load



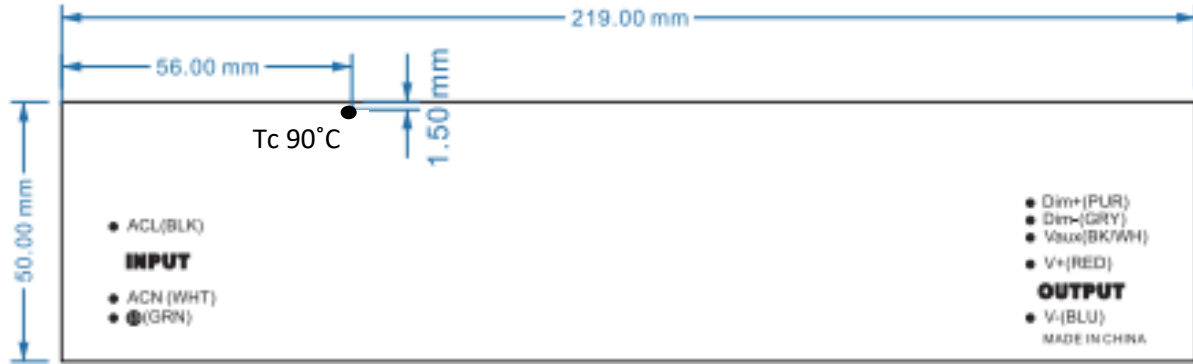
■ THD vs. Load



■ Efficiency vs. Load (18A Model)

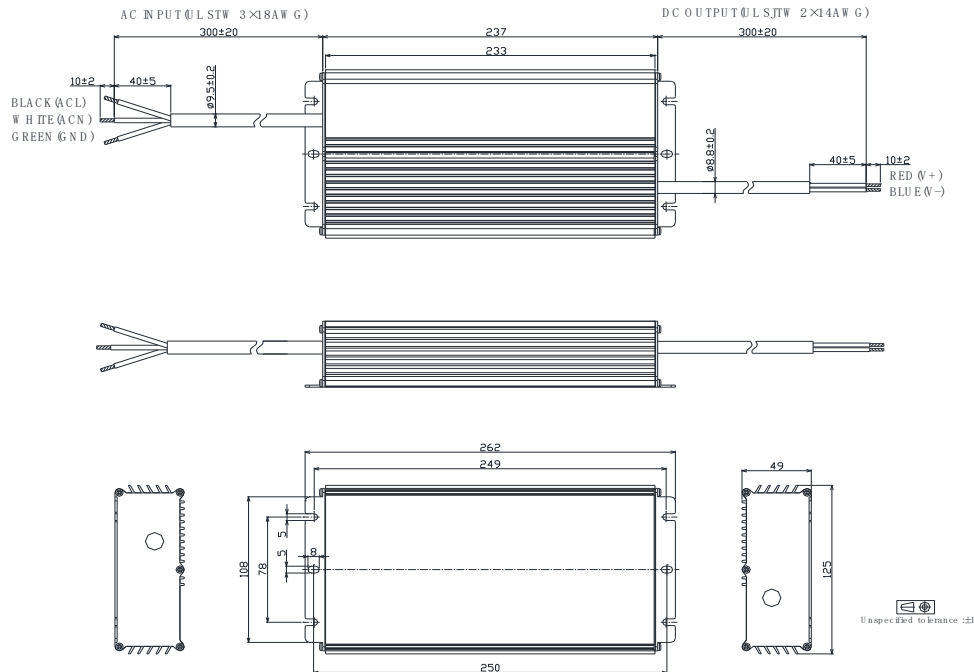


■ Tc Location(LED Driver Label)



■ Mechanical Design

- LWA800-Cxxx-NN/TRK (UL Cable)



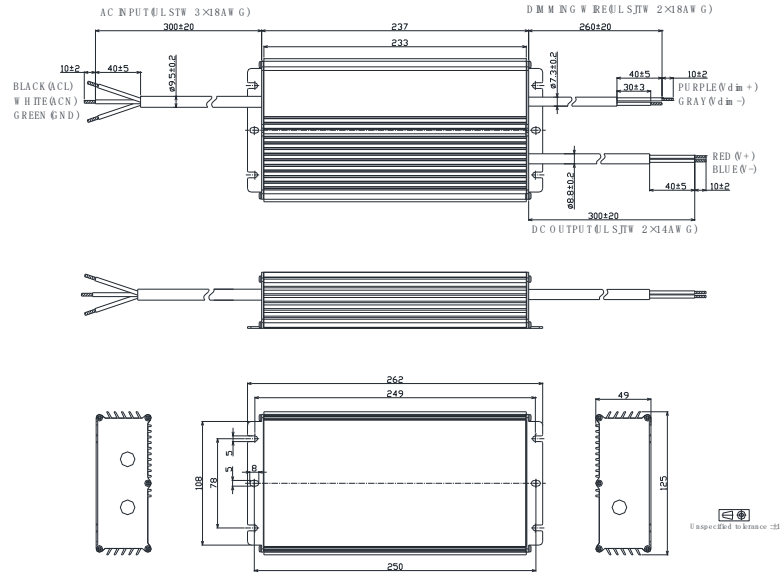
Technical Sales / Customer Service: +1-818-338-7788 • Email: sales@autec.com

31328 Via Colinas Suite 102 • Westlake Village, CA 91362 USA • www.autec.com

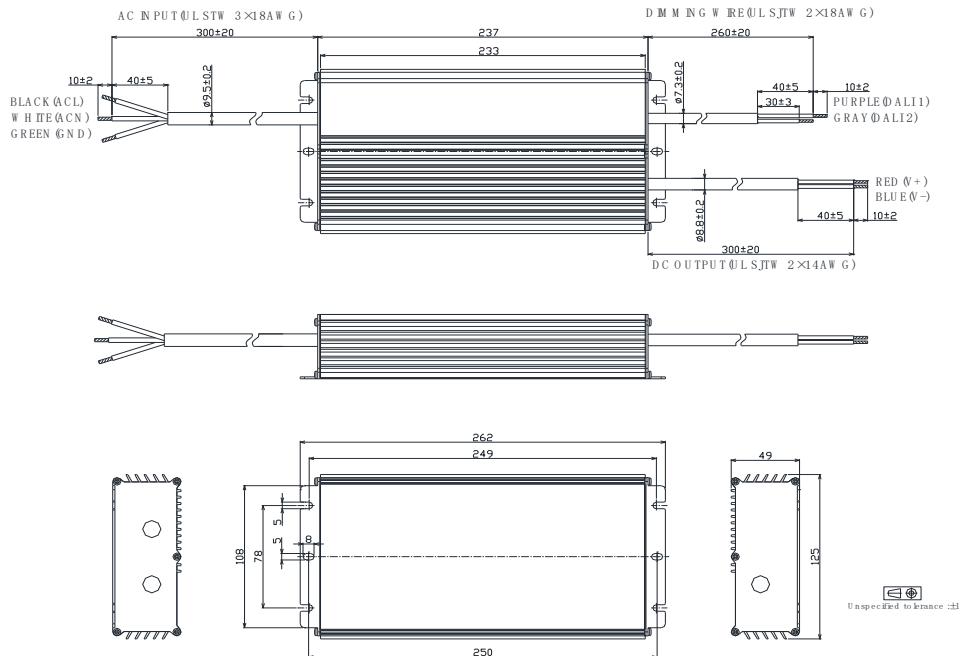
August 27, 2021

8 / 15

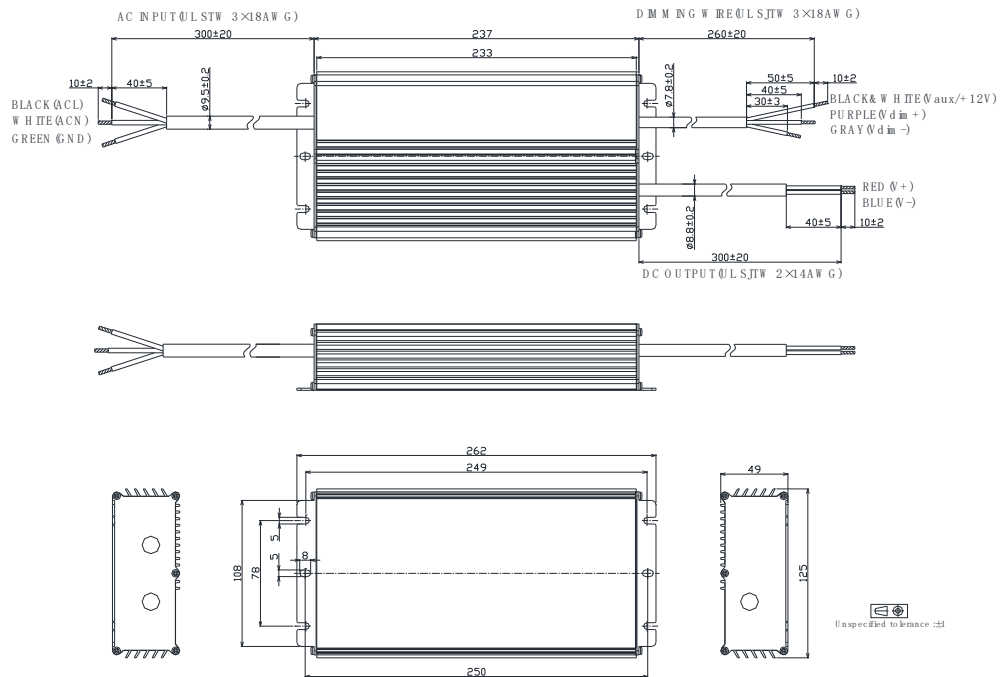
- LWA800-Cxxx-DNK/DRK (UL Cable)



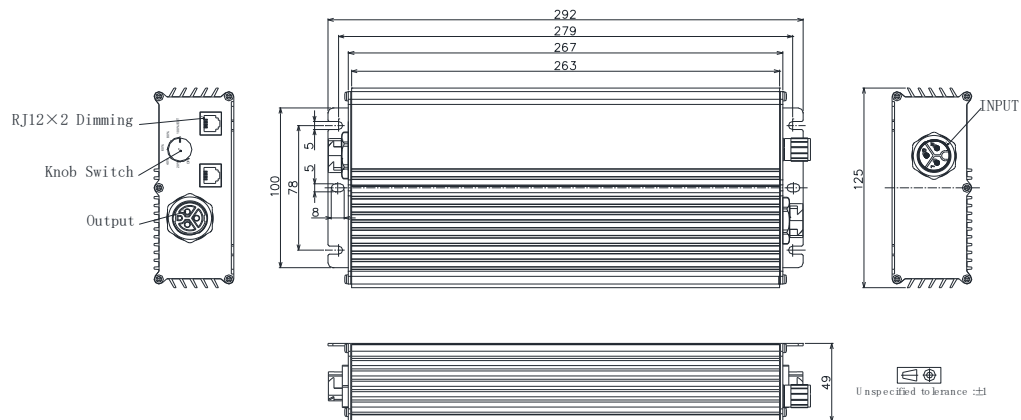
- LWA800-Cxxx-ANK/ARK (UL Cable)



- LWA800-Cxxx-ENK/ERK (UL Cable)



- Customized Functional End Cap Version

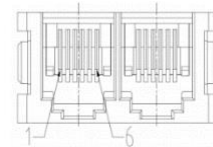


- Add suffix –abcd00 to the end of part number to indicate different configuration.

Item	Value Definition	Description
Input	a	F: M19 Waterproof Connector P: C14 plug N: Same cable as standard version
Output	b	F: M19 Waterproof Connector N: Same cable as standard version
Dimming	c	F: M12 Waterproof Connector R: RJ12 x 2 S: 3.5mm multi-media plug N: Same cable as standard version
Knob	d	K: Knob with steps B: Knob without steps N: No knob

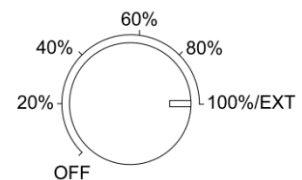
- RJ12 Pin Description

Pin	Description
1,6	12V Aux-power
2,5	Dim+
3,4	Dim-/RTN



- Knob Description:

Position	Description
P1 =100%/EXT	If there is no external control, 100% output. If there is external control, output is controlled by external signal.
P2 =Off,20%,40%60%80%	External signal invalid.



■ Appendix – Operation Range

Model	Typical Set Output Current (mA)	Max Output Power (W)	Output Voltage Min (V)	Output Voltage Max(V)	Minimum Dimming Current (mA)
-C1800	18000	800	30	45	1800
	17000	800	30	48	1700
	16000	800	30	51	1600
	15000	800	32	54	1500
	14500	800	34	56	1450
	14000	782	34	56	1450
	12000	670	34	56	1450
	10000	559	34	56	1450

	1450	80	34	56	1450

Model	Typical Set Output Current (mA)	Max Output Power (W)	Output Voltage Min (V)	Output Voltage Max(V)	Minimum Dimming Current (mA)
-C860	8600	800	56	93	860
	8500	800	56	94	850
	8400	800	57	95	840
	8200	800	59	98	820
	8000	800	60	100	800
	7800	800	62	103	780
	7600	800	63	105	760
	7400	800	65	108	740
	7200	800	67	111	720
	7000	800	69	114	700
	6800	800	71	118	680
	6600	800	73	121	660
	6400	800	75	125	640
	6200	800	77	129	620
	6000	800	80	133	600
	5800	773	80	133	600
	5600	747	80	133	600

	600	80	80	133	600

Model	Typical Set Output Current (mA)	Max Output Power (W)	Output Voltage Min (V)	Output Voltage Max(V)	Minimum Dimming Current (mA)
-C600	6000	800	80	133	600
	5800	800	83	138	580
	5600	800	86	143	560
	5400	800	89	148	540
	5200	800	92	154	520
	5000	800	96	160	500
	4800	800	100	167	480
	4600	800	104	174	460
	4400	800	109	182	440
	4200	800	114	190	420
	4000	762	114	190	420
	3800	724	114	190	420
	3600	686	114	190	420
	3400	648	114	190	420
	3200	610	114	190	420

	420	80	114	190	420

Model	Typical Set Output Current (mA)	Max Output Power (W)	Output Voltage Min (V)	Output Voltage Max(V)	Minimum Dimming Current (mA)
-C420	4200	800	114	190	420
	4100	800	117	195	410
	4000	800	120	200	400
	3900	800	123	205	390
	3800	800	126	211	380
	3700	800	130	216	370
	3600	800	133	222	360
	3500	800	137	229	350
	3300	800	145	242	330
	3200	800	150	250	320
	3100	800	155	258	310
	3000	800	160	267	300
	2900	800	166	276	290
	2800	800	171	286	280
	2700	771	171	286	280

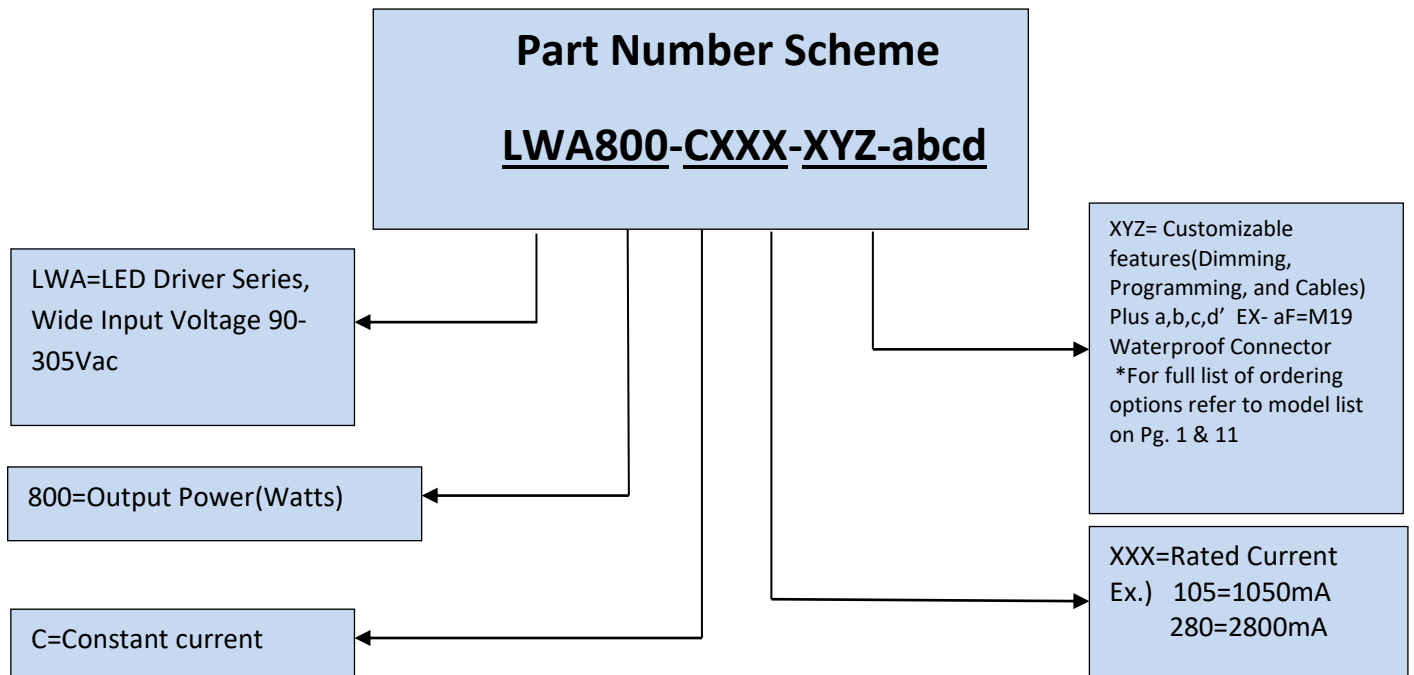
	280	80	171	286	280

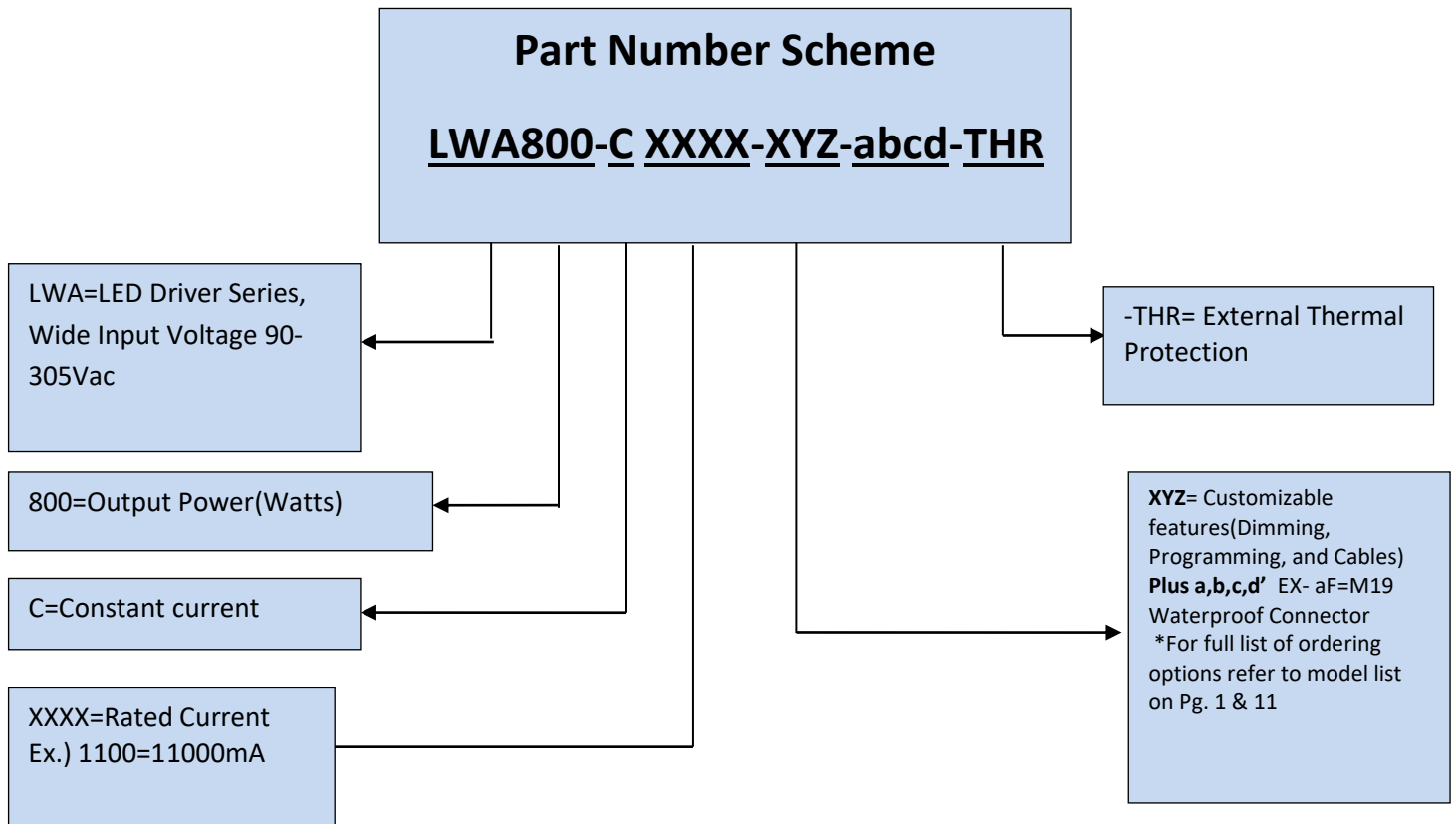
Technical Sales / Customer Service: +1-818-338-7788 • Email: sales@autec.com

31328 Via Colinas Suite 102 • Westlake Village, CA 91362 USA • www.autec.com

August 27, 2021

Contact Autec Sales for non-UL Mechanical Diagrams





*Product images are for illustrative purposes only and may vary from actual design.

*Specifications are subject to change without notice. Autec is not responsible for issues arising from errors or omissions.

Technical Sales / Customer Service: +1-818-338-7788 • Email: sales@autec.com

31328 Via Colinas Suite 102 • Westlake Village, CA 91362 USA • www.autec.com

August 27, 2021

15 / 15