

■ Features

- Single output 120W
- 100-240Vac Universal input
- Efficiency Level VI
- SCP & OCP
- MTBF: 50,000 hours
- Certificates: UL, cUL, CE, FCC
- Dimension: 167 x 65 x 37.50mm
- 1-Year warranty



\*Product images are for illustrative purposes only and may vary from actual design.

■ Application

- Consumer electronics and office equipment
- Industrial equipment

■ Model List

Custom Designs Available!

Model	Output Voltage	Output Current	Power	Certificates
DT120S-400-V-XXX	40V	3.0A	120W	UL, cUL, CE, FCC

■ Technical Data

Voltage	100-240Vac
Output Current	3000mA
Line Frequency	50-60Hz
Input Current	2.5A Max.
Inrush Current	50A(Typ.) @220 Vac
Output Voltage	40V
Output Current	3.0A
Ripple & Noise	300mV
Over/Under Shoot	3%/3%
Rated Load	3.0A
Line/Load Regulation	-+3%
OCP	4.0A
Startup Delay	2s Max @ 115Vac
Rise Time	40mS Max @ 115Vac input & output Max Load
Hold up Time	5mS Min @ 115Vac input & output Max Load
Efficiency	Level VI @ 88% @ full load @ 230Vac
Burn In	2-4hours under normal input & 80% rated load @ 40 °C ±5 °C
MTBF	50,000H @ 25 °C
Operating Temp.	0 °C - 40 °C Full Load
Short Circuit Protection	Auto Recovery when short circuit fault is removed.

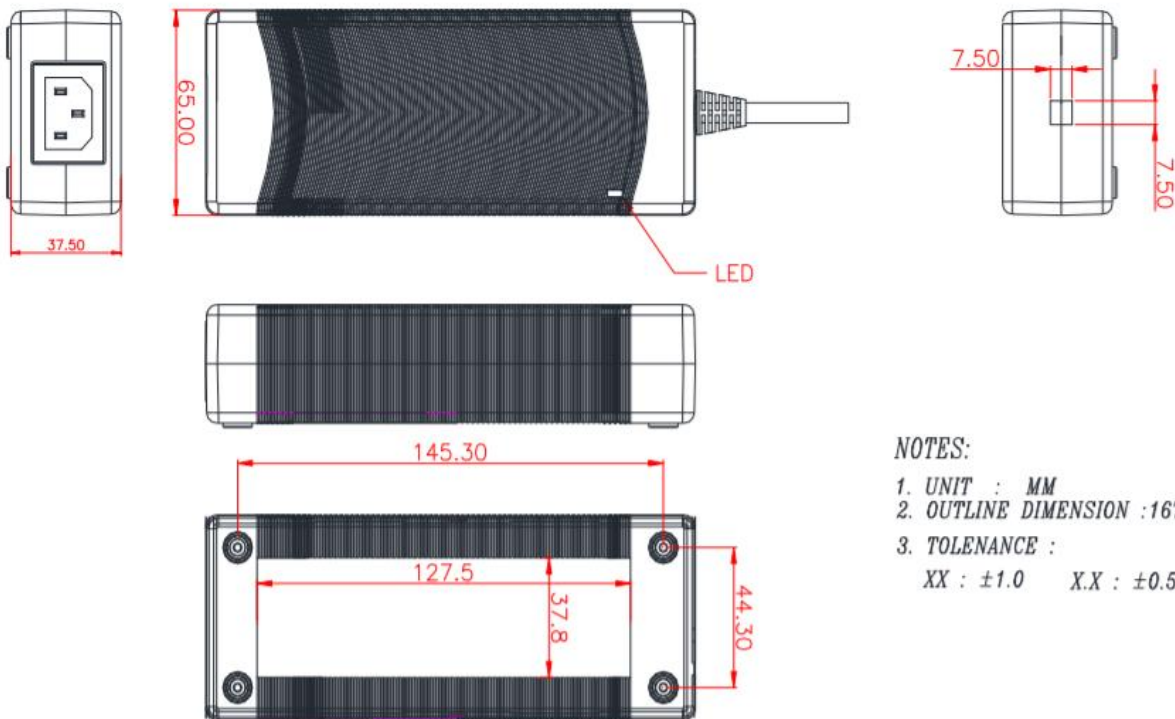
■ Technical Data (Continued)

Over Current Protection	Auto recovery when fault is removed.
Cooling	Natural Convection Cooling
Relative Humidity	5% (0°C) - 95% (40 °C) RH
Vibration	IEC 721-3-3 3M3
Transportation	IEC 721-3-2 2M2
Weight	600g

■ Safety and EMC

Safety	UL60950, EN60950, FCC Class B, EN60950
EMI Standard	EN55022 Class B
Dielectric Strength	3000Vac Primary to Secondary

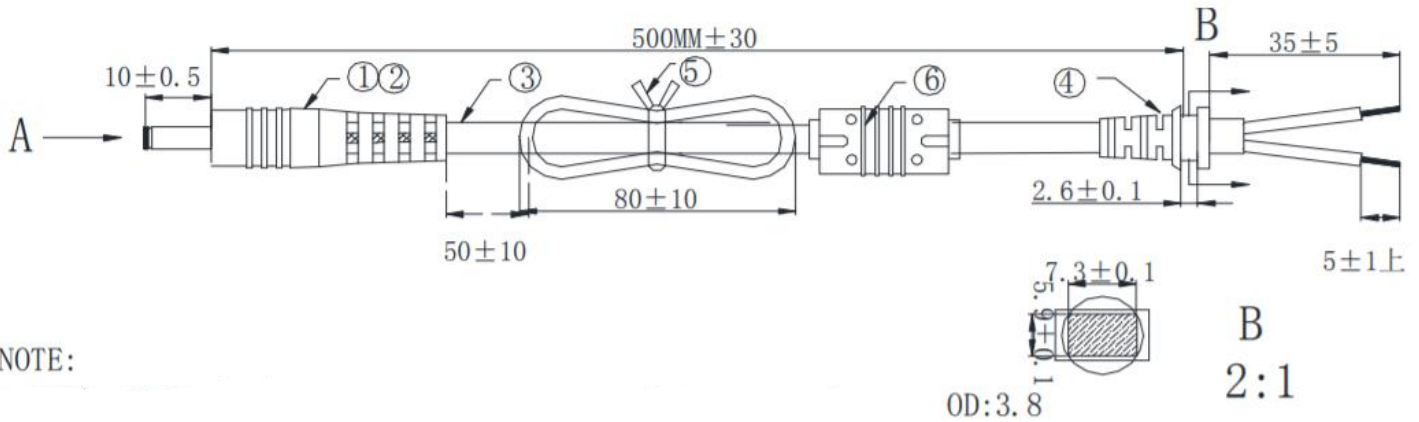
■ Mechanicals



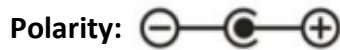
NOTES:

1. UNIT : MM
2. OUTLINE DIMENSION : 167\*65\*37.5mm
3. TOLERANCE :  
 XX : ±1.0    X.X : ±0.5    X.XX : ±0.3

■ **Mechanicals (Continued)**



■ **Label Drawing**



**AUTEC POWER SYSTEMS** AC/DC ADAPTER

Model NO: DT120S-400-V-XX  
 INPUT: 100-240VAC ~ 50/60Hz 2.5A  
 OUTPUT: 40V = 3.0A

LPS

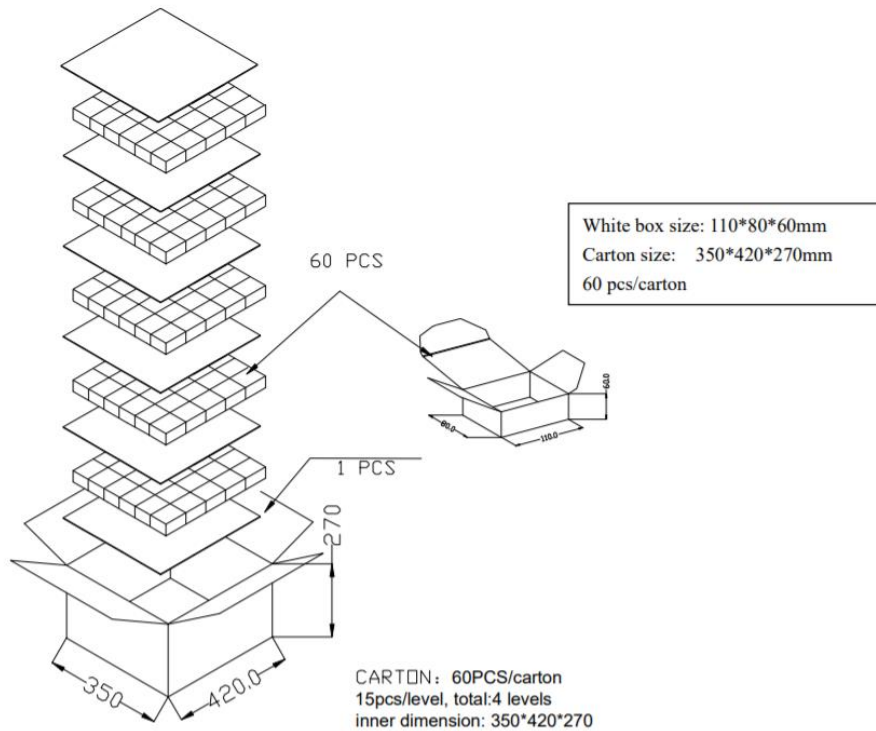
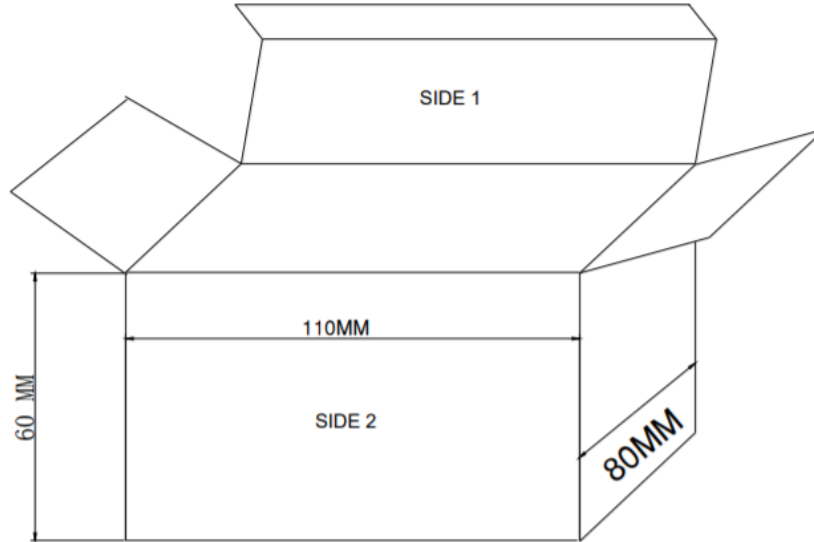
**CAUTION:**  
**RISK ELECTRIC SHOCK**  
**DRY LOCATION USE ONLY**  
**MADE IN CHINA**

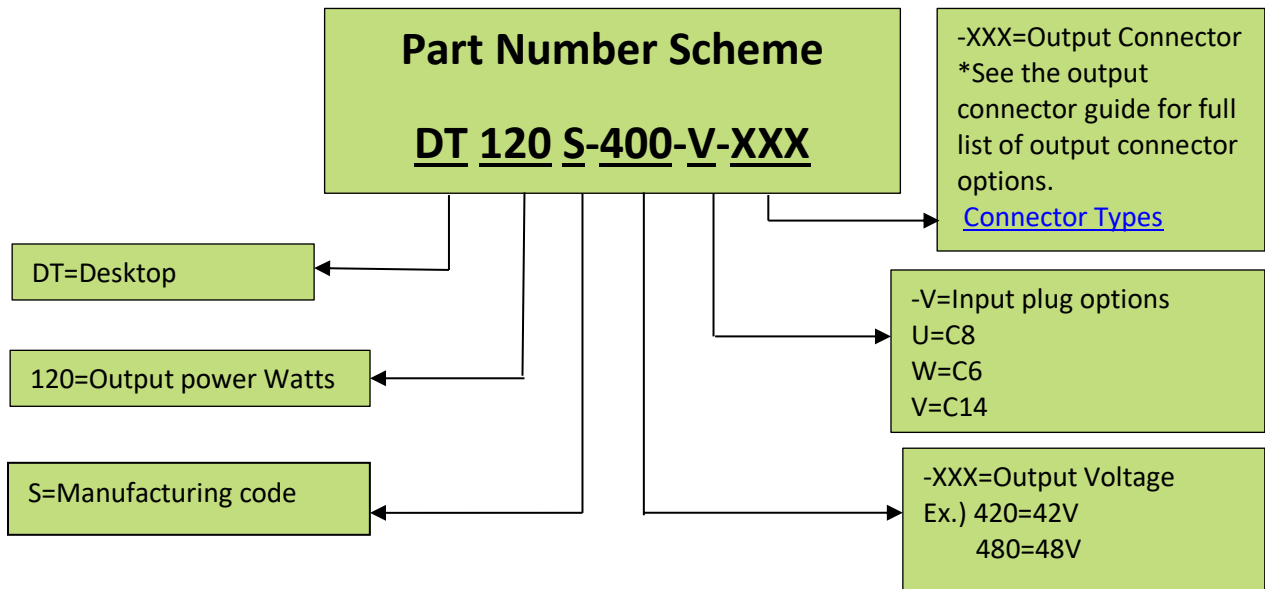
Technical Sales / Customer Service: +1-818-338-7788 • Email: [sales@autec.com](mailto:sales@autec.com)

31328 Via Colinas Suite 102 • Westlake Village, CA 91362 USA • [www.autec.com](http://www.autec.com)

June 9, 2021

■ Packaging





**\*Some Safety Agency Approvals may differ from what is shown. Contact Autec Sales!**

**\*Product images are for illustrative purposes only and may vary from actual design.**

**\*Specifications are subject to change without notice. Autec is not responsible for issues arising from errors or omissions.**