

■ Features

- Single output from 60W
- 100-240Vac Universal input
- Constant Voltage Type
- Efficiency Level VI
- No load consumption <0.5W
- Class I Power(with earth pin)
- OLP, OTP, SCP and OVP
- IEC60320-C14 Inlet
- MTBF: 405.6Khrs
- Dimension: 120x52x31.5mm



■ Application

- Consumer electronics and office equipment
- Industrial equipment

*Product images are for illustrative purposes only and may vary from actual design.

Custom Designs Available!

■ Model List

Model	Power	Output Voltage	Output Current	Ripple & Noise	Efficiency	Tolerance	Load Regulation
DT060E-050-V-XX	60W	5V	12A	150mVp-p	80%	±5%	±5%

■ Technical Data

Input Voltage Rating	100-240Vac
Frequency Range	47-63Hz
Input Current	1.3A@115Vac, 0.6A@230Vac
Line Regulation	±1%
Inrush Current	30A max. @115Vac, 65A max. @230Vac Cold Start
Leakage Current	Touch Current <100A@264Vac
Set up, rise time	1000mS, 50mS@230Vac; 1500mS. 50mS @115Vac full load
Hold up time	50mS@230Vac; 15mS@115Vac full load
Operating Temp. & Humidity	-20°C to +50°C, 20%-90% RH non-condensing
Storage Temp. & Humidity	-25°C to +75°C, 10% -95% RH
Temp. Coefficient	±0.03%/°C(0 to 40°C)
Vibration resistance	10-500Hz, 2G 10min./1 Cycle, period for 60 min. each along X, Y, Z axes
Withstand Voltage	I/P-O/P: 3K Vac, I/P-PG: 2K Vac, O/P-PG: 0.5K Vac
Over Temp. Protection	Shut down O/P voltage, re-power to recover
Over load protection	>110%-150% hiccup mode, Auto recovery
Over Voltage Protection	>115%-135% hiccup mode, Auto recovery
MTBF	405.6Khrs MIL-HDBK-217F (25°C)
Dimensions	120x52x31.5mm
Packing	335g

Technical Sales / Customer Service: +1-818-338-7788 • Email: sales@autec.com
 31328 Via Colinas Suite 102 • Westlake Village, CA 91362 USA • www.autec.com

October 27, 2020

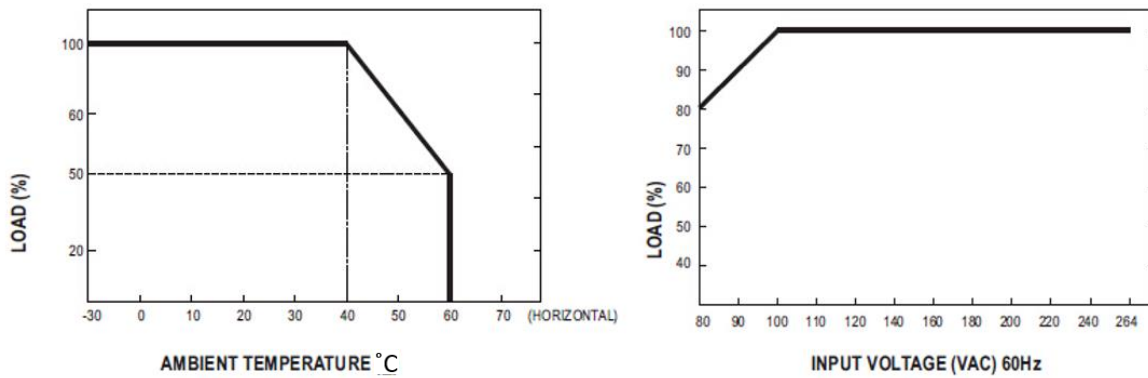
■ Safety & EMC

Safety Standards	Compliance to EN60950-1 ,CCC GB4943, J60950-1
EMC Standard	Compliance to EN55022 class B EN61000-3-2.3 EN61000-4-2,3,4,5,6,8,11

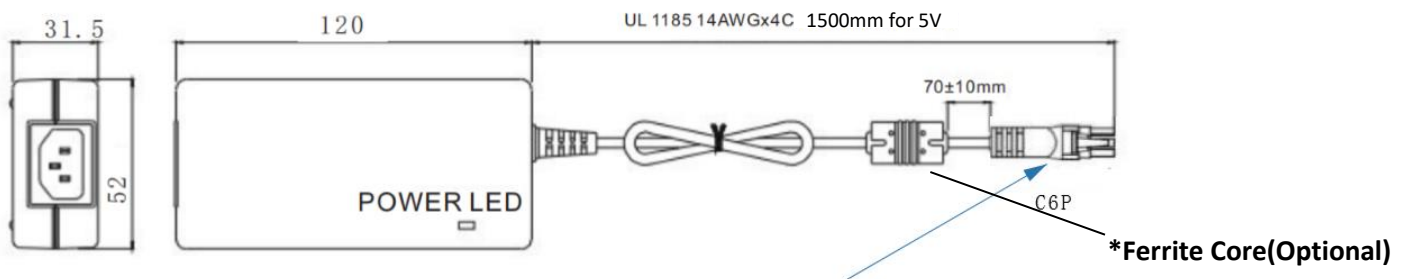
Disclaimer:

Autec Power Systems' (Autec) LED Drivers are Hi-Pot tested during the manufacturing process. Autec assumes no responsibility for secondary Hi-Pot testing at customer location or designated production line(s). Should customer require further Hi-Pot testing, at their own production line, following assembly of the LED Driver into the customer's assembled fixture, Autec requests advance notice. This request must be communicated to Autec in a timely manner and is recommended to be requested at time of issuing each purchase order.

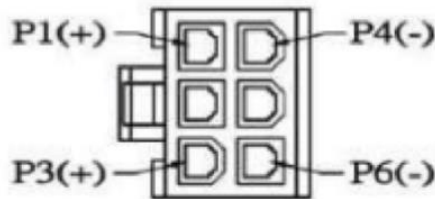
■ Derating Curve/Static Characteristics



■ Mechanical Diagram



similar for models with an output current of 5A and above

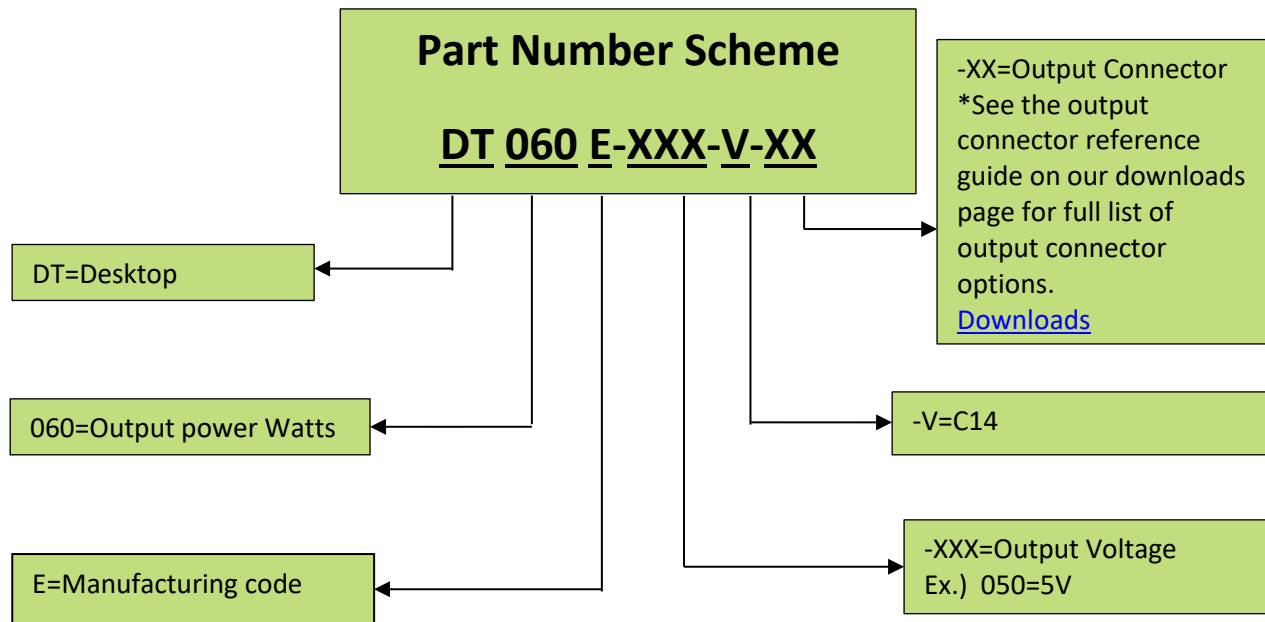


Output Connector -MX shown.
See Output Connector Guide for all options.

Output Cable Plug Pin Assignment

Technical Sales / Customer Service: +1-818-338-7788 • Email: sales@autec.com
31328 Via Colinas Suite 102 • Westlake Village, CA 91362 USA • www.autec.com

October 27, 2020



***Some Safety Agency Approvals may differ from what is shown. Contact Autec Sales!**

***Product images are for illustrative purposes only and may vary from actual design.**

***Specifications are subject to change without notice. Autec is not responsible for issues arising from errors or omissions.**