

■ **Features**

- Power Rating: 200W
- Input Voltage: 120-277Vac
- Constant Voltage design
- Output current (420-8330mA)
- Efficiency up to 89%
- 3 in 1 (PWM, 0-10V, Resistance Dimming)
- 10%-100% Dimming
- UL Class 2 Output
- Tc=90°C
- IP65
- 5-year warranty
- Surge Rating: 2KV
- Made-in-Taiwan



*Product images are for illustrative purposes only and may vary from actual design.

■ **Application**

- Indoor & Outdoor applications

■ **Model List***(See part number scheme for model number details)

Model Number	Input Voltage Range	Output Power	Output Voltage	Output Current Min.	Output Current Max.	Efficiency	Certification
LNWVD200S024SS	120-277Vac	200W	24V	833mA	8330mA	89%	UL/cUL
LNWVD200S036SS	120-277Vac	200W	36V	560mA	5560mA	89%	UL/cUL
LNWVD200S048SS	120-277Vac	200W	48V	420mA	4160mA	89%	UL/cUL

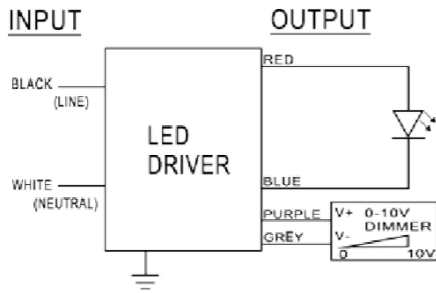
■ **Technical Data**

Start Temp.	40°F/-40C
Tcase Temp.	194°F/90°C
Frequency	50-63Hz
Inrush Current	40A max.
Power factor	Min. 0.9
Output voltage	24V-48V
Output power	200W
Max input current	0.98@120Vac/0.42@277Vac
Max. Input Power	222W
THD	Max. 20%
Case Dimensions LxWxH	241x66x40.5mm
Mounting	228mm
Weight	611g

Disclaimer:

Autec Power Systems' (Autec) LED Drivers are Hi-Pot tested during the manufacturing process. Autec assumes no responsibility for secondary Hi-Pot testing at customer location or designated production line(s). Should customer require further Hi-Pot testing, at their own production line, following assembly of the LED Driver into the customer's assembled fixture, Autec requests advance notice. This request must be communicated to Autec in a timely manner and is recommended to be requested at time of issuing each purchase order.

■ Wiring Diagram



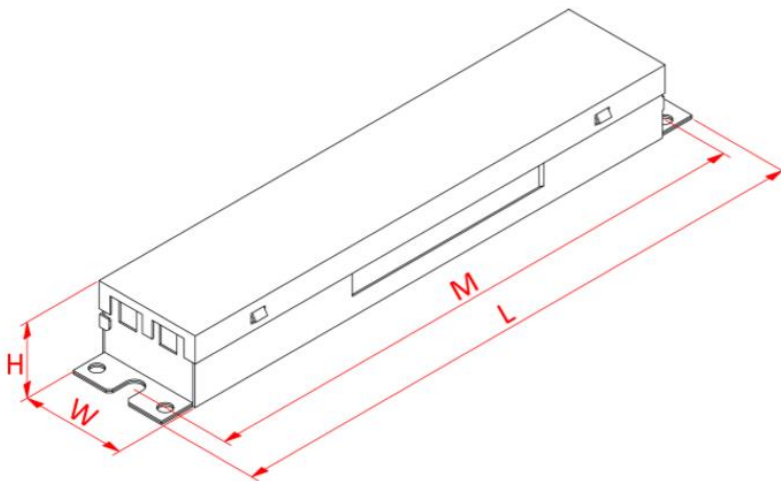
Maximum Wiring Distance (at full load) is 18AWG/18Feet

LED case should be grounded

The driver is suitable for pure LED load only

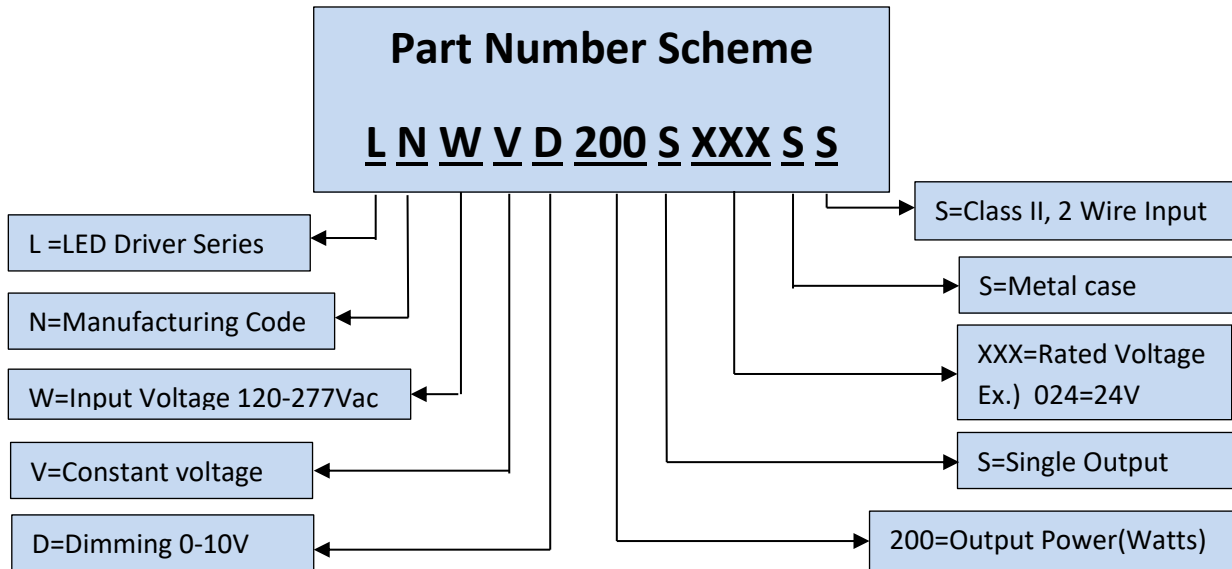
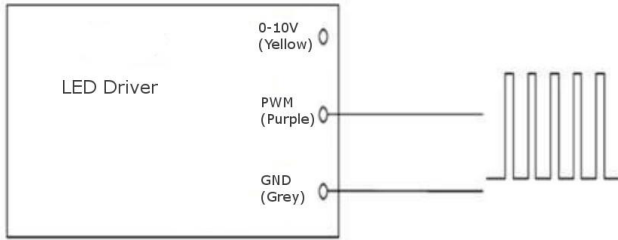
Lead Length	mm
Black	175
White	175
Green	NA
Red	175
Blue	175
Purple	210
Grey	210

■ Mechanical Diagram



Lead Length	mm
L	241
W	66
H	40.5
M	228

■ PWM Dimming



*Product images are for illustrative purposes only and may vary from actual design.

*Specifications are subject to change without notice. Autec is not responsible for issues arising from errors or omissions.