



■ **Features**

- Single output from 30W
- 100-240Vac Universal input
- Certificates: UL, cUL, CE
- PoE: Power over Ethernet 100M/1G/2.5G/5G/10Gbps
- Data speed rate is optional per customer request
- Passive type PoE injector
- Efficiency Level VI
- 2-year warranty
- Dimensions: 88x57.6x34mm



■ **Application**

- Consumer electronics and office equipment
- Industrial equipment

\*Product images are for illustrative purposes only and may vary from actual design.

■ **Model List**

**Custom Designs Available!**

Model	Output Voltage	Output Current	Power	Certificates
DT030GS-120P-X	12V	2.5A	30W	UL/cUL, CE
DT030GS-150P-X	15V	2A	30W	UL/cUL, CE
DT030GS-190P-X	19V	1.58A	30W	UL/cUL, CE
DT030GS-240P-X	24V	1.25A	30W	UL/cUL, CE
DT030GS-480P-X	48V	0.63A	30W	UL/cUL, CE
DT030GS-560P-X	56V	0.536A	30W	UL/cUL, CE

\*Available in 0.1V increments please contact Autec Sales for more information

■ **Technical Data**

Frequency	50/60Hz
Input voltage	100-240Vac(nom); 90-264Vac(max)
Input Current	0.75A max. 220Vac/60Hz max. load
Inrush Current	50A max@120Vac, 100A max@230Vac @25° maximum load cold start
Power Over Ethernet Output	48-57V, 0.01-0.67A.
PoE Standard	Active injector, compliant with IEEE 802.3at
Power Consumption	32W max.
RJ-45 pin assignment and polarity	Power: Pins 4/5(+), 7/8(-)
MTBF	500K Hours
Data Rate	100M/1G/2.5G/5G/10Gbps
LED Indicator	AC Power
Interface	1 "Data" In RJ-45 Ethernet Port 1 "Data+Power" Output RJ-45 Ethernet Port 1 AC Input Power Socket(C6,C8)
Operation temperature	0 °C to + 40°C

**Technical Sales / Customer Service:** +1-818-338-7788 • Email: [sales@autec.com](mailto:sales@autec.com)  
31328 Via Colinas Suite 102 • Westlake Village, CA 91362 USA • [www.autec.com](http://www.autec.com)

July 31, 2020

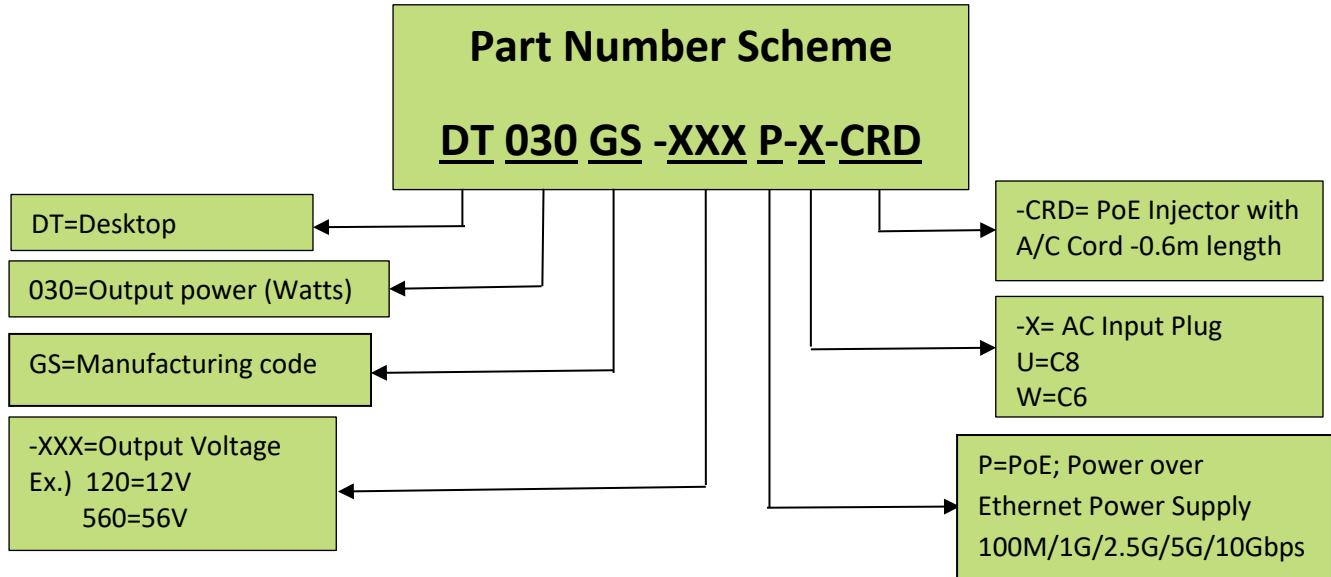
■ **Technical Data(cont.)**

Storage Temperature	-40 °C to + 70°C
Humidity	0 to +95%RH
Weight	190g
Dimensions	88x57.6x34mm
Packaging	CTN: 43.5x35.5x35.5cm/60pcs per ctn NW:18.9KGS, GW: 19.83KGS

■ **Safety Standards**

Safety Approval	UL cUL CE RoHS
Standards	IEEE 802.3 10Base-T IEEE 802.3U 100Base-TX IEEE 802.3ab 1000Base-T IEEE 802.3af Power over Ethernet IEEE 802.3at Power over Ethernet Plus

\*IEEE 803.3at compliant, PoE offers a compact and cost-effective solution for powering IP phones, WLAN access points, PoE cameras and other IP terminal installations.



**\*Some Safety Agency Approvals may differ from what is shown. Contact Autec Sales!**

**\*Product images are for illustrative purposes only and may vary from actual design.**

**\*Specifications are subject to change without notice. Autec is not responsible for issues arising from errors or omissions.**