

Not Recommended for New Design (NRND)

RoHS
Compliant

■ Features

- Power Rating: 200W
- Input Voltage: 100-277Vac
- Constant current design
- Fixed output current(450mA-1400mA)
- Dimmable 0-10V(optional)
- Efficiency to 93%
- UL Recognized
- OTP, SCP, OVP, and lightning protection
- IP67



IP67    

*Product images are for illustrative purposes only and may vary from actual design.

■ Application

- Outdoor applications: Street lights, tunnel lights, landscaping lights, garden lights, and others.

■ Model List*(See part number scheme for model number details)

Model Number	Input Voltage Range	Output Power	Output Voltage	Output Current Min.	Output Current Max.	Efficiency	Certification
LZWCD200S045ST	100-277Vac	200W	266-444V	450mA	450mA	93%	CE FCC UL
LZWC-200S045ST	100-277Vac	200W	266-444V	450mA	450mA	93%	CE FCC UL
LZWCD200S070ST	100-277Vac	200W	172-286V	700mA	700mA	92.5%	CE FCC UL
LZWC-200S070ST	100-277Vac	200W	172-286V	700mA	700mA	92.5%	CE FCC UL
LZWCD200S105ST	100-277Vac	200W	114-190V	1050mA	1050mA	92%	CE FCC UL
LZWC-200S105ST	100-277Vac	200W	114-190V	1050mA	1050mA	92%	CE FCC UL
LZWCD200S140ST	100-277Vac	200W	86-143V	1400mA	1400mA	92%	CE FCC UL
LZWC-200S140ST	100-277Vac	200W	86-143V	1400mA	1400mA	92%	CE FCC UL

Note: “-” = Non-Dimming, D=Dimming

■ Technical Data

Input voltage range	100-277Vac
Frequency	47~63Hz
Power factor	>0.9@60-100% load, refer to PF vs Load curve
Max input current	2.4A max. @110Vac & full load; 1.2A max. @220Vac & full load
THD	<15%@60-100% load, refer to THD vs Load curve
Inrush current	65A peak, 1.2ms duration@230Vac 25°C 70A peak, 1.3ms duration@277Vac 25°C
Leakage current	1mA max. @277Vac 60Hz 0.75mA max @240Vac 50Hz
Current Accuracy	±5%

Technical Sales / Customer Service: +1-818-338-7788 • Email: sales@autec.com
31328 Via Colinas Suite 102 • Westlake Village, CA 91362 USA • www.autec.com

February 20, 2019

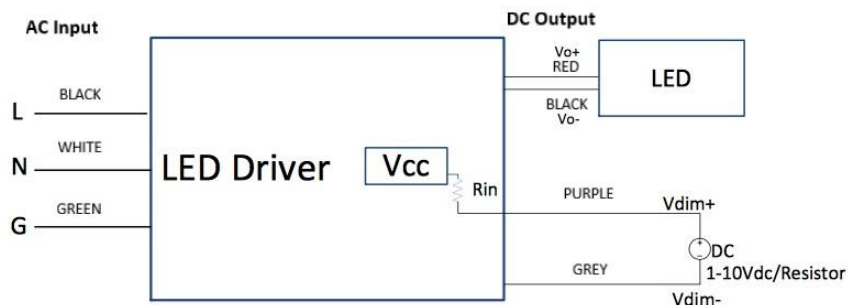
■ **Technical Data(cont.)**

Ripple current	I _{p-p} : 5% LED 60%-100% load
Turn-on Delay time	1.2s
Overshoot	10%I _o
Over voltage protection	110%V _o max
Input Under Voltage	Shut Down When V _{mains} ≤85±5Vac; Auto Recovery When V _{mains} ≥90±5Vac
Over temperature protection	Decrease output current until over temperature state is removed
Short circuit protection	Protection type: hiccup mode, recovers automatically after fault condition is removed
Operating temperature	-40 ~ 70°C;
Storage temperature	-40 ~ 85°C
Humidity operational	10% ~ 100%RH
Humidity storage	5% to 100%RH
MTBF	>305,000 hours @110Vac & 80% Load
Life rating	>50,000 hours
Maximum case Temperature	90°C
Length (L)	8.46" (215mm)
Width (W)	2.66" (67.5mm)
Height (H)	1.48" (37.5mm)
Weight	1022g

Notes:

1. Unless specified, all the test results are measured in the 25°C ambient temperature.
2. The results vary according to different LED load characteristics.
3. Please confirm working conditions according to the derating curve of output power vs. input voltage and temperature. LED driver recommended for its intended use only, do not exceed data sheet specifications.
4. Refer to lifetime vs. T_c curve.
5. Contact Autec Sales for T_c location.

■ **Wiring Diagram**



Technical Sales / Customer Service: +1-818-338-7788 • Email: sales@autec.com

31328 Via Colinas Suite 102 • Westlake Village, CA 91362 USA • www.autec.com

February 20, 2019

■ Safety Compliance

Safety Category	Standard
UL 8750	Light Emitting Diode(LED) Equipment for Use in lighting Products
UL 1012	Power Unit Other Than Class 2
IEC 61347-1	Lamp Control Gear Part 1: General and Safety Requirements
IEC 61347-2-13	Lamp Control Gear Part 2-13: Particular Requirements for DC or AC Supplied Electronic Control Gear for LED Modules
EMI Standards	Notes
IEC 55015	Conducted emission test & Radiated emission test
IEC 61000-3-2	Harmonic current emissions; Class ($\geq 75\%$ load)
IEC61000-3-3	Voltage fluctuations & flicker
FCC Part 15	Class B
EMS Standards	Notes
IEC 61000-4-2	Electrostatic discharge (ESD)
IEC 61000-4-3	Radio frequency electromagnetic field susceptibility test (RS)
IEC 61000-4-4	Electrical fast transient (EFT)
IEC 61000-4-5	Surge immunity test L-N:2kV; LN-PE;4kV
IEC 61000-4-6	Conducted radio frequency disturbances test (CS)
IEC 61000-4-8	Power frequency magnetic field test
IEC 61000-4-11	Voltage dips
IEC 61547	Electromagnetic immunity requirements applies to lighting equipment

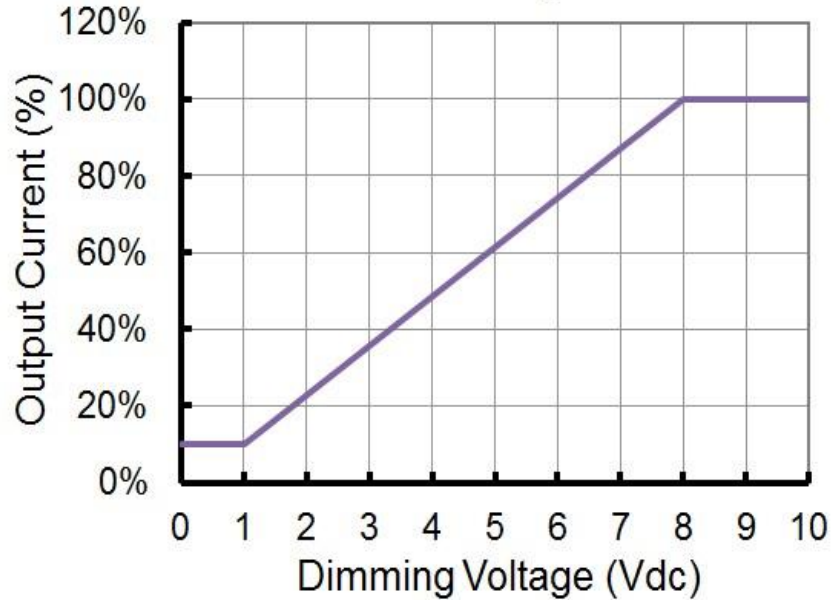
■ Dimming

Parameter	Min.	Typ.	Max.
Vcc	-	12V	-
Rin	-	51kOhm	-
Absolute maximum voltage range on the 0-10V input pin	-20V	-	20V
Dimming range	10%	-	100%

The dimmer control is operated from an input signal of 0-10Vdc. Recommended implementations are provided below.

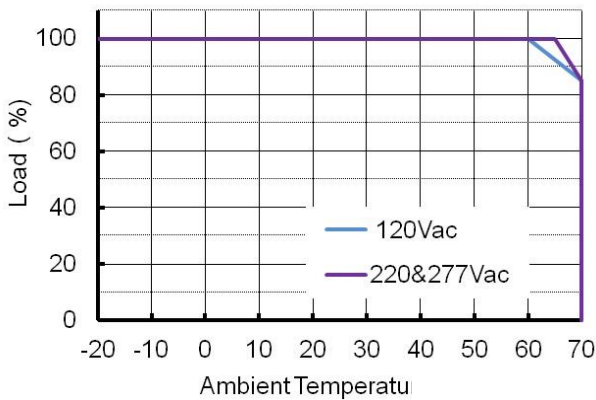
■ **Dimming Curve**

Linear Dimming Curve

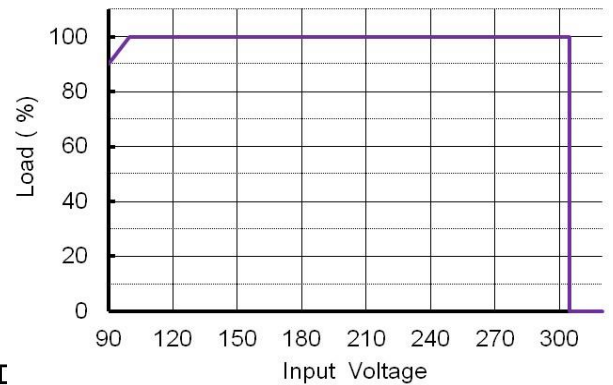


■ **Derating Curve**

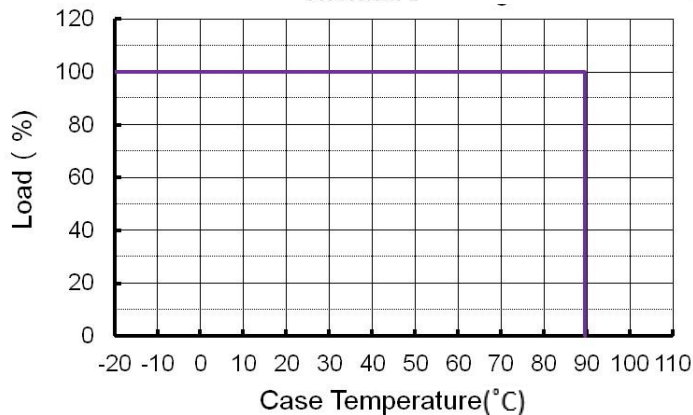
Thermal Derating



Derating Curve (Ta=25°C)



Thermal I

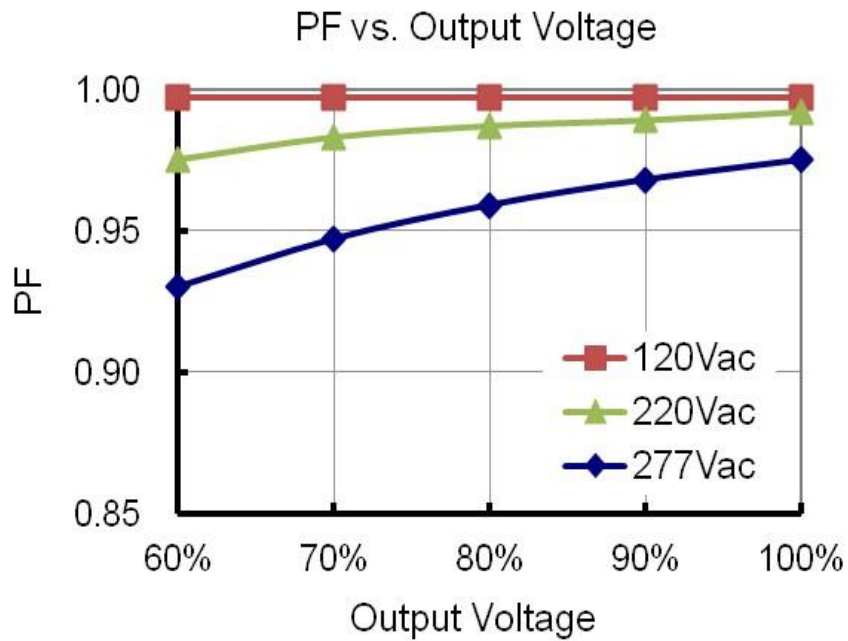


Technical Sales / Customer Service: +1-818-338-7788 • Email: sales@autec.com

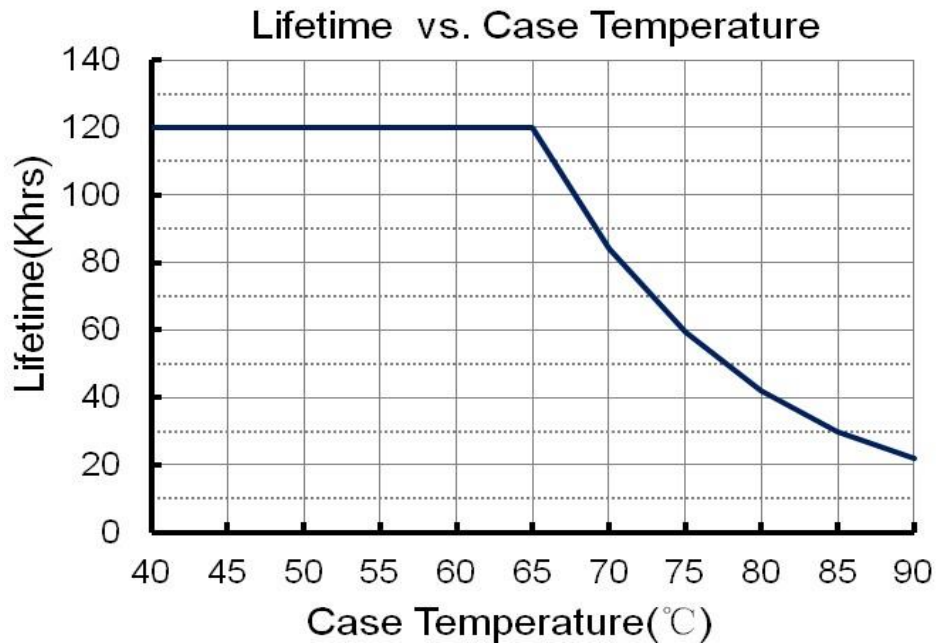
31328 Via Colinas Suite 102 • Westlake Village, CA 91362 USA • www.autec.com

February 20, 2019

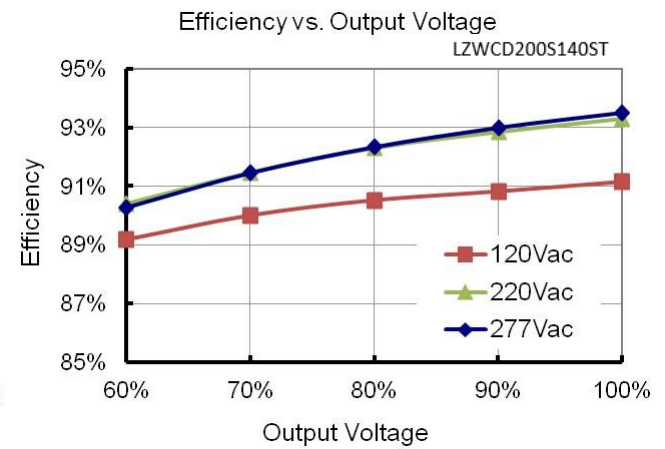
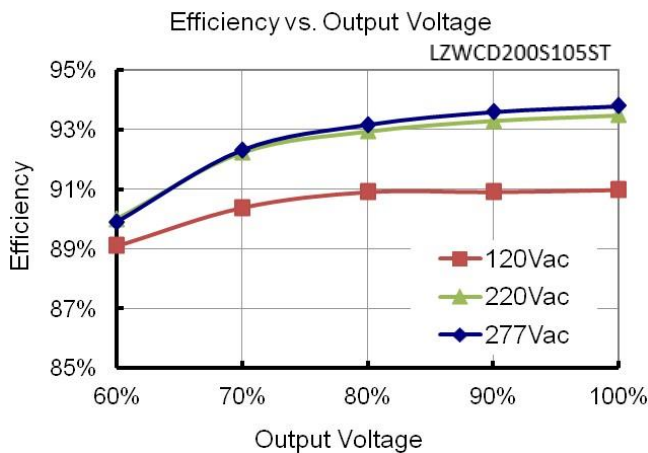
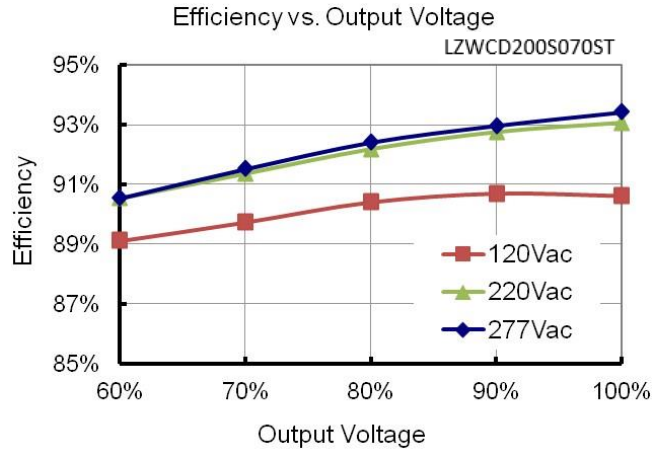
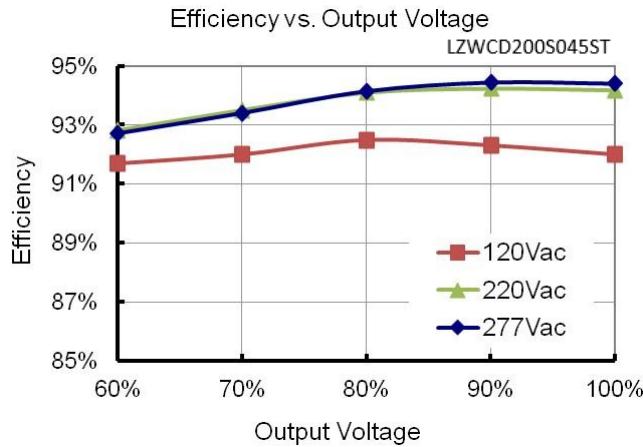
■ Power Factor vs Output Voltage



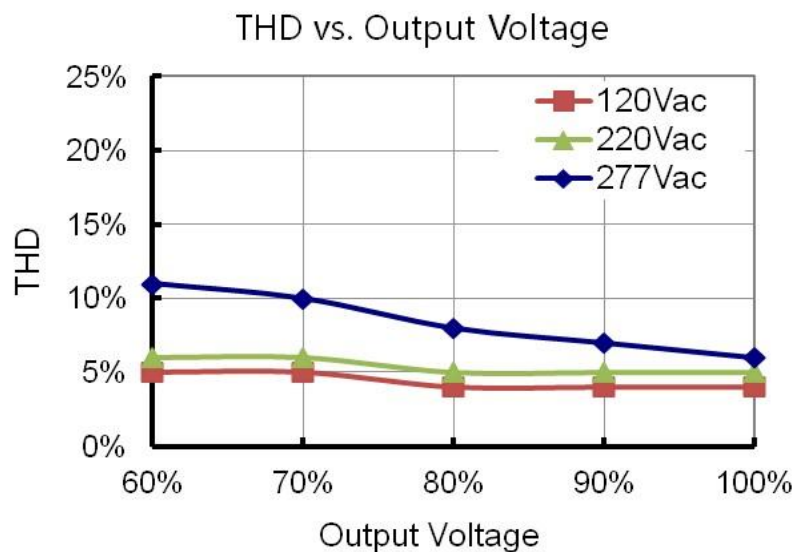
■ Lifetime vs Case Temperature



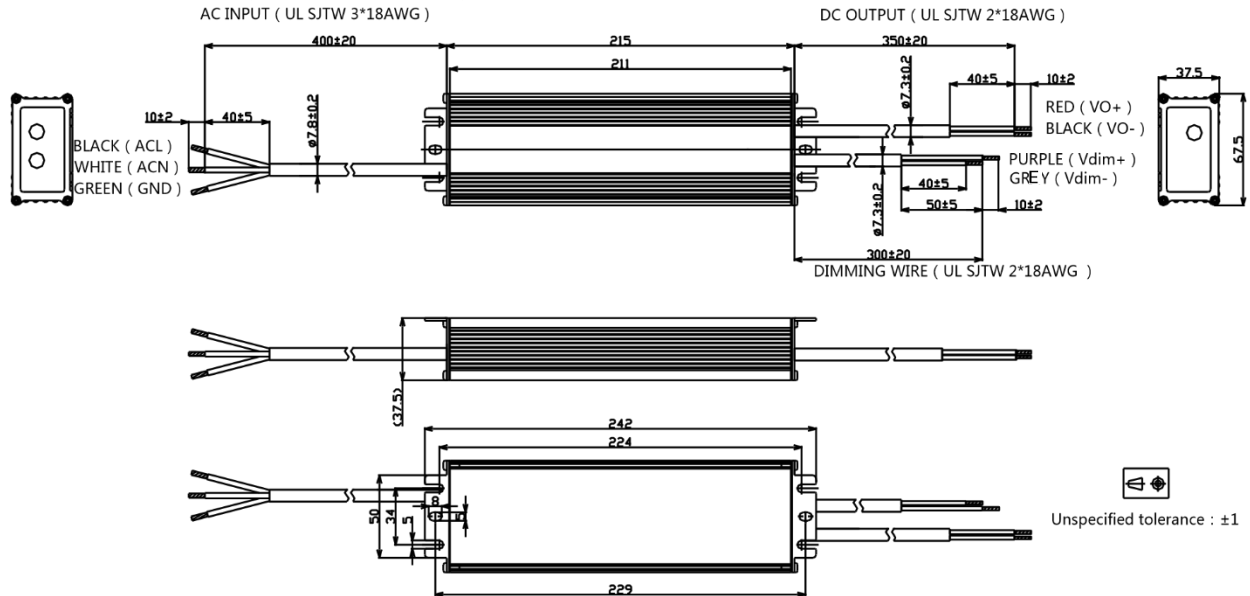
■ **Efficiency vs Output Voltage**



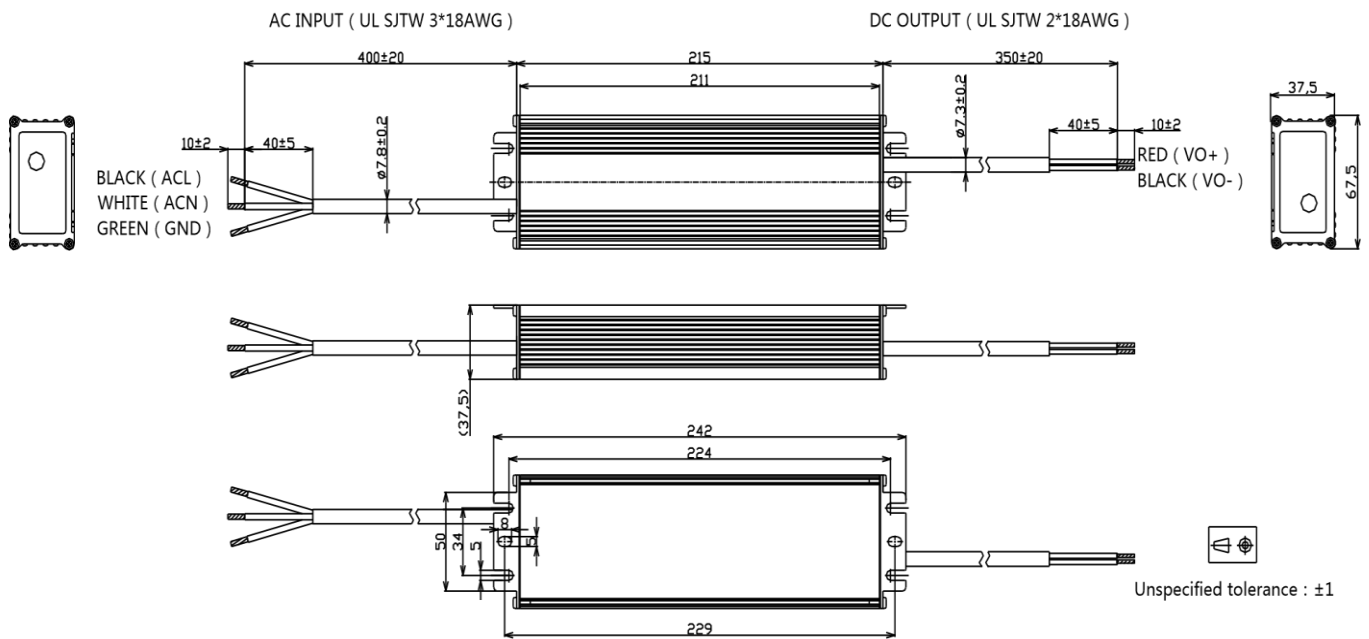
■ **THD vs LOAD**



■ **Mechanical Diagram Dimming**



■ **Mechanical Diagram Non-dimming**

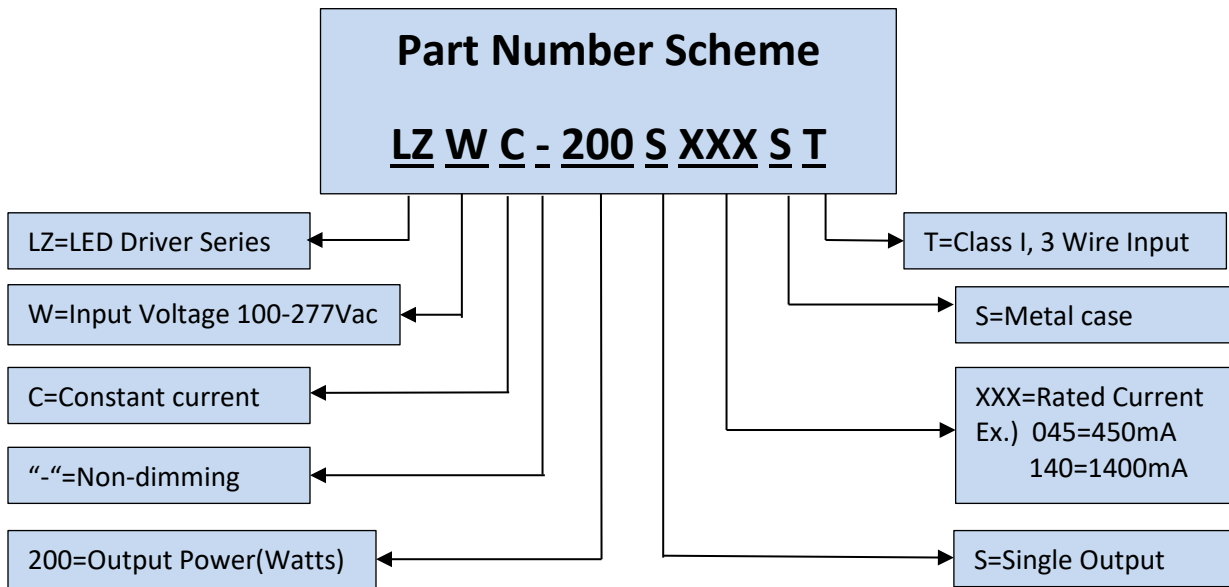
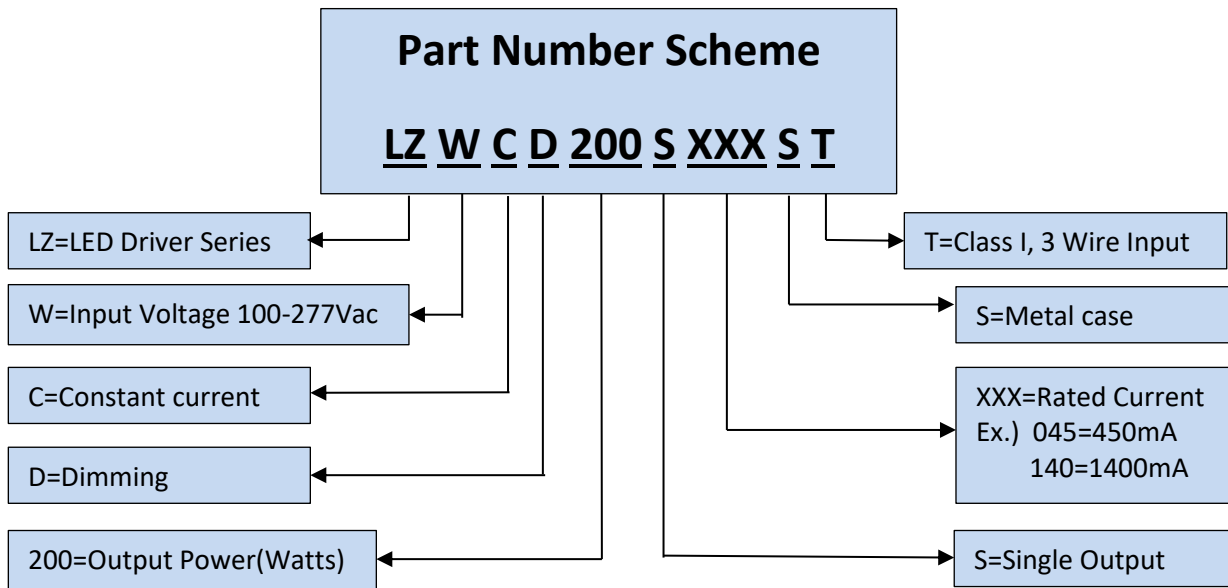


Note: Please make sure the output cable does not connect to dimming cable or the cables of other drivers until 20 seconds after being tested because of the remained voltage in the output capacitor.

Technical Sales / Customer Service: +1-818-338-7788 • Email: sales@autec.com

31328 Via Colinas Suite 102 • Westlake Village, CA 91362 USA • www.autec.com

February 20, 2019



***Product images are for illustrative purposes only and may vary from actual design.**

***Specifications are subject to change without notice. Autec is not responsible for issues arising from errors or omissions.**

Technical Sales / Customer Service: +1-818-338-7788 • Email: sales@autec.com

31328 Via Colinas Suite 102 • Westlake Village, CA 91362 USA • www.autec.com

February 20, 2019