

■ Features

- Single output to 48W
- 100-240Vac Universal input
- UL/cUL 60950
- SCP, OVP, OTP, and OCP
- Efficiency Level VI
- MTBF: >85,000 hours
- 2-year warranty
- Modified and Custom Designs Available
- Dimension: 111x53.5x33.5mm



*Product images are for illustrative purposes only and may vary from actual design.

■ Application

- Consumer electronics and office equipment
- Industrial equipment

■ Model List

Custom Designs Available!

Model	Output Voltage	Output Current	Power
DT048S-060-X-XX	6V	5A	30W
DT048S-095-X-XX	9.5V	5A	48W
DT048S-120-X-XX	12V	4A	48W
DT048S-150-X-XX	15V	3.2A	48W
DT048S-180-X-XX	18V	2.6A	46.8W
DT048S-240-X-XX	24V	2A	48W

*Available input plug options are: V=C14, U=C8

■ Technical Data

Output Voltage(1)	6-24V
Rated Power	48W Max
Ripple & Noise(2)	250mVp-p
Current range	5A (Max. 48W)
Total Regulation	±5%
Overshoot/undershoot	10%
Turn on Delay	2s
Hold-up Time	10ms@115Vac/60Hz max. load & 20ms @ 230Vac/50Hz
Input Voltage	100~240Vac (90-264Vac Operational)
Frequency	50Hz~60Hz (47~63Hz Operational)
Efficiency	82% (Min.)
Inrush Current	60A (At 100-240Vac input 25°C Cold Start.)
AC Current	1A / 100-240Vac
Leakage Current	0.25mA (Max.)
Over Voltage Protection	V out *120-150% Max.
Short Circuit Protection	Shut down

Technical Sales / Customer Service: +1-818-338-7788 • Email: sales@autec.com
 31328 Via Colinas Suite 102 • Westlake Village, CA 91362 USA • www.autec.com

October 30, 2019

■ Technical Data(cont.)

Over Current Protection	I out *120-150% Max.
Over Temperature Protection	Latch Protection
Operating Temperature	0° ~40°C
Storage Temperature	-20 ~+70 °C
Relative Humidity Operating	8%~ 90% RH
Relative Humidity Storage	8%~ 90% RH
MTBF	>85,000 hours (Measured at 110Vac input, 100% load and 25°C ambient temperature)
Burn-in	4 Hours at 40°C (±5%) at full load, input cycling
Dimension(LxWxH)	111x53.5x33.5mm 4.37x2.12x1.13In
Output cable	1500mm
ROHS	Complies with EU Directive 2011/65/EU
WEEE	Complies with EU Directive 2002/96/EC
EISA 2007	Complies with requirements for external power supplies
EU	Complies with EU Code of Conduct on external power supplies

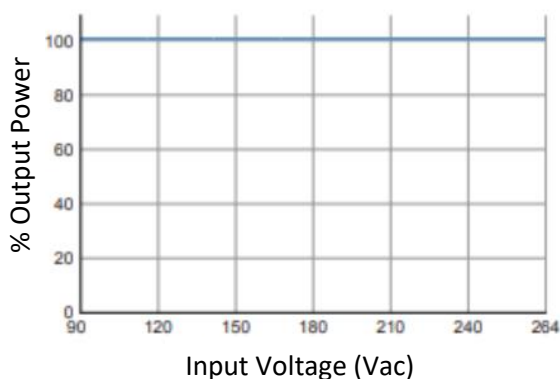
1. Output voltage tolerance +/-5%
2. Max., Measuring is done by 20MHz bandwidth oscilloscope and terminated each output with a 22uF aluminum electrolytic capacitor and a 0.1uF ceramic capacitor. Full load, 25C ambient temperature at 115Vac and 230 Vac.
3. When Over Current Protection is activated, the power supply will shut down automatically. Once the abnormal condition resulting in the failure being removed, the power supply will restart. When Over Voltage Protection or Over Temperature Protection is activated, the power supply will latch.

■ Safety/EMC

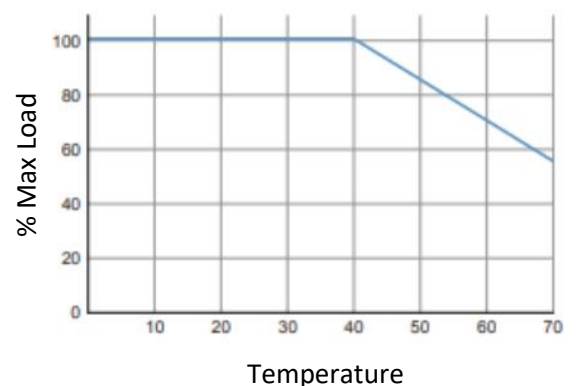
Safety Standards	UL/cUL60950
No load Power Dissipation	< 0.1W
Insulation Resistance	Input to output: Min. 50M OHM at 500 VDC.
Dielectric Strength	Primary to Secondary: DC 4242 V , 3.5mA Max , for 3 seconds
Conducted & Radiated EMI	EN 55022: 2006+A1:2007, CISPR22 Class B and FCC part 15 Class B : 2008, J55022
EMS	EN 61000-4-2, EN 61000-4-3, EN 61000-4-4, EN 61000-4-5, EN 61000-4-6, EN 61000-4-8, EN 61000-4-11

■ Derating Curve

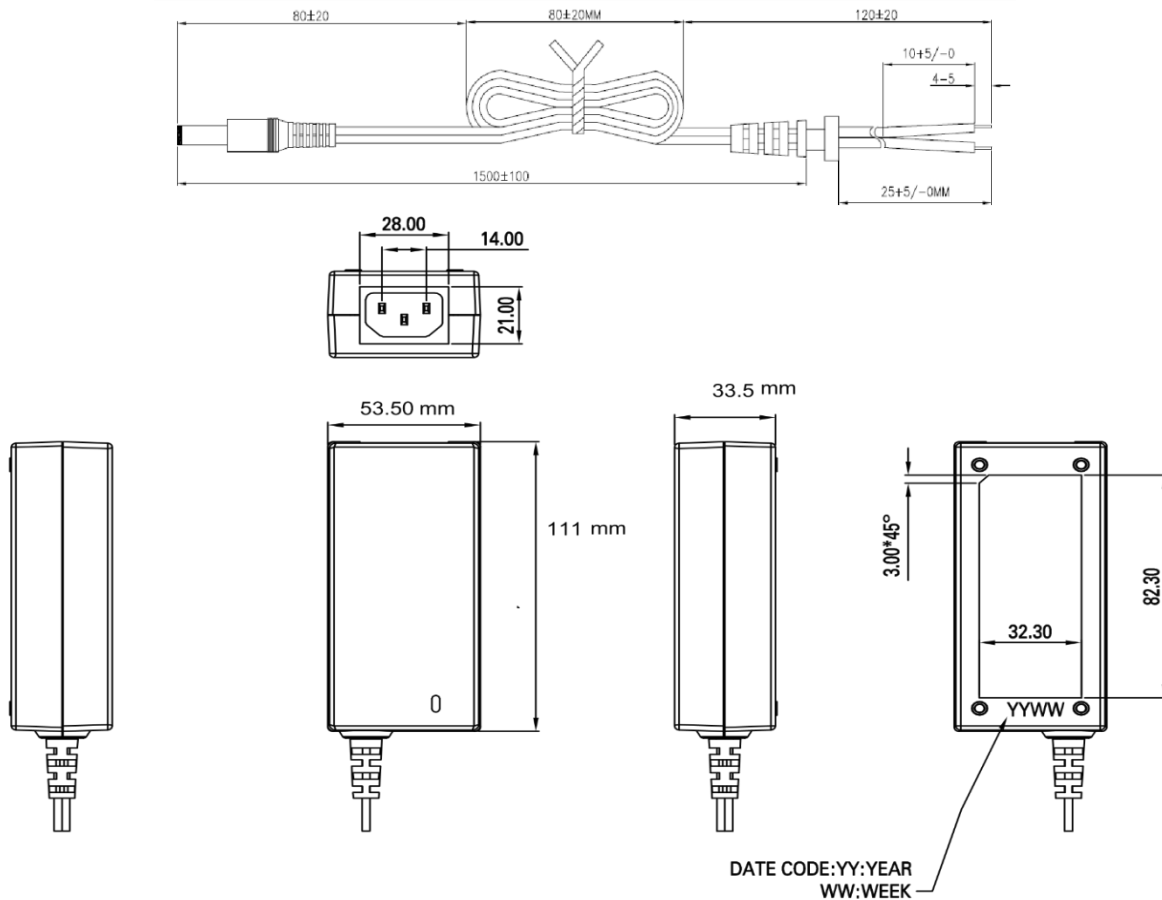
INPUT VOLTAGE DERATING CURVE



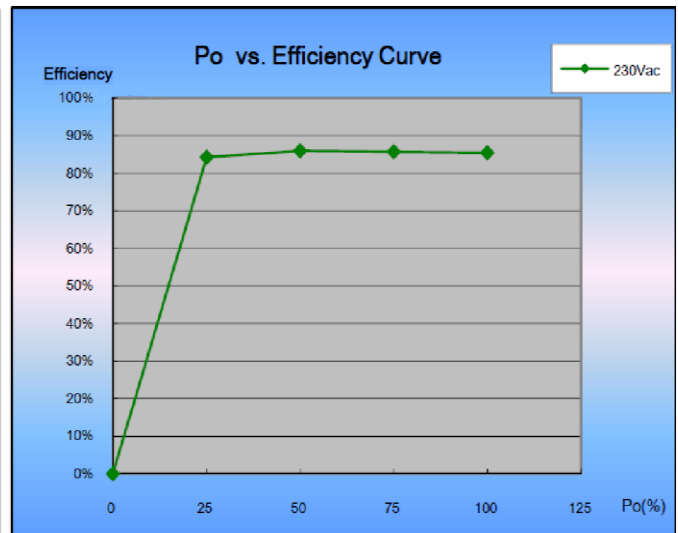
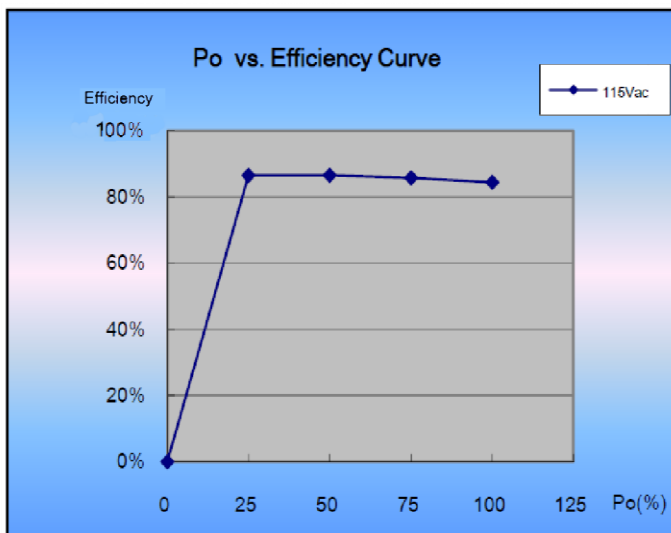
OUTPUT POWER DERATING CURVE

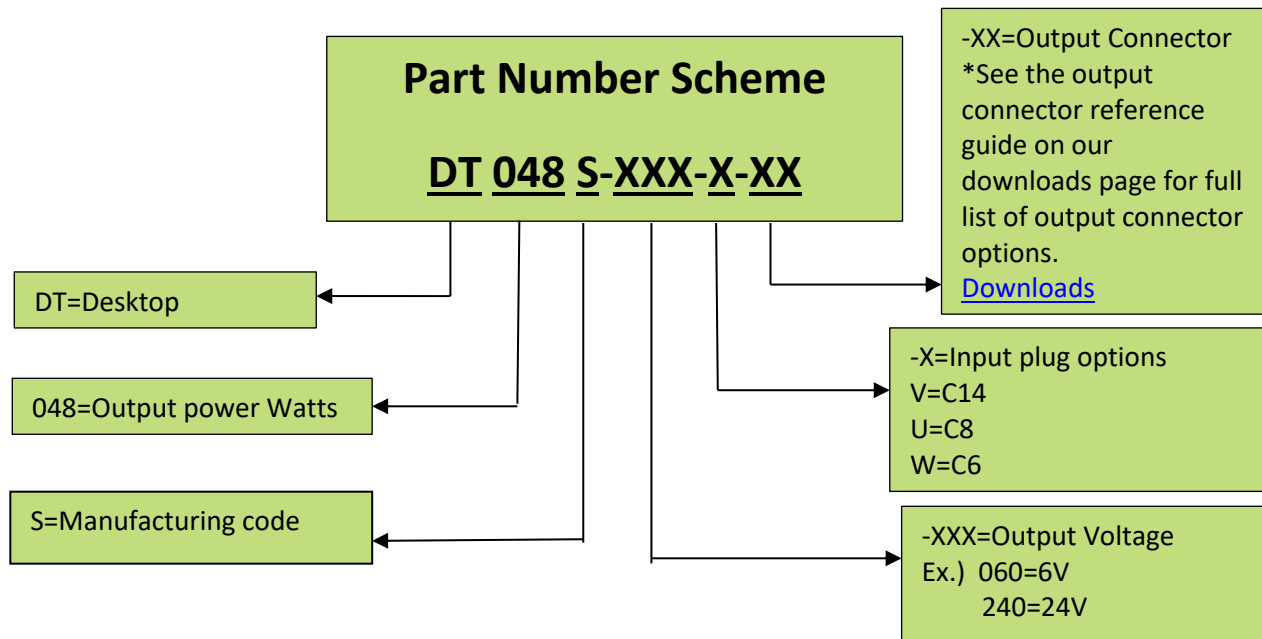


■ Mechanical Diagram



■ Efficiency Curves





***Some Safety Agency Approvals may differ from what is shown. Contact Autec Sales!**

***Product images are for illustrative purposes only and may vary from actual design.**

***Specifications are subject to change without notice. Autec is not responsible for issues arising from errors or omissions.**