

■ Features

- Power Rating: 22W
- Input Voltage: 120-277Vac
- Constant current design
- Output currents (350mA-1600mA)
- Fixed output current
- Efficiency up to 81%
- UL Class 2 output option available, Type HL
- OVP, SCP, & Open Circuit Protection
- IP20
- 5-year warranty

■ Application

- Dry and Damp Locations

■ Model List\*(See part number scheme for model number details)



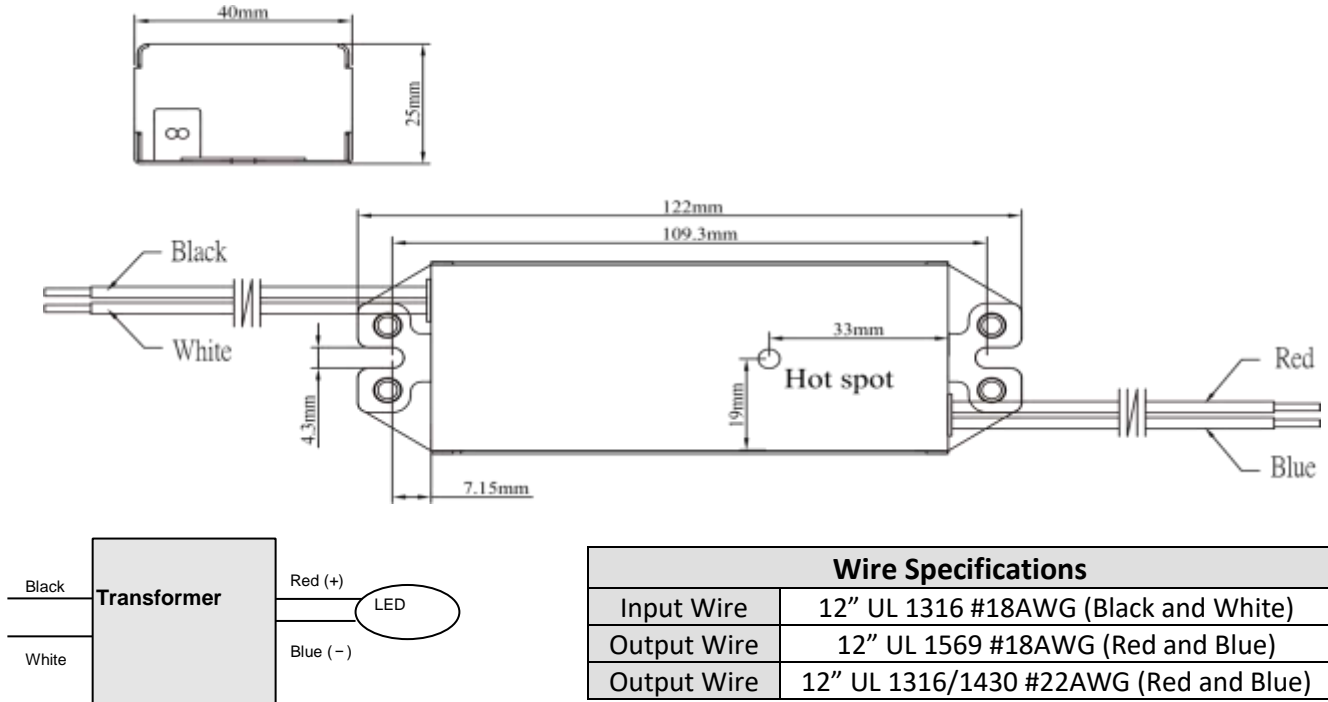
\*Product images are for illustrative purposes only and may vary from actual design.

Model Number	Input Voltage Range	Output Power	Output Voltage	Output Current Min.	Output Current Max.	Efficiency	Certification
LXWC-022S035SS-20	120~277Vac ± 10%	22W	21-63V	350mA	350mA	86% @120V 86% @240V 86% @277V	-/-
LXWC-022S040SS-20*	120~277Vac ± 10%	22W	18-55V	400mA	400mA	86% @120V 86% @240V 86% @277V	UL/-
LXWC-022S050SS-20*	120~277Vac ± 10%	22W	14-44V	500mA	500mA	86% @120V 86% @240V 86% @277V	UL/-
LXWC-022S060SS-20*	120~277Vac ± 10%	22W	12-36V	600mA	600mA	85% @120V 84% @240V 84% @277V	UL/cUL
LXWC-022S065SS-20*	120~277Vac ± 10%	22W	11-34V	650mA	650mA	85% @120V 84% @240V 84% @277V	UL/cUL
LXWC-022S070SS-20*	120~277Vac ± 10%	22W	10-32V	700mA	700mA	85% @120V 84% @240V 84% @277V	UL/cUL
LXWC-022S080SS-20*	120~277Vac ± 10%	22W	9-28V	800mA	800mA	84% @120V 83% @240V 83% @277V	UL/cUL
LXWC-022S090SS-20*	120~277Vac ± 10%	22W	8-24V	900mA	900mA	84% @120V 83% @240V 83% @277V	UL/cUL

Model Number	Input Voltage Range	Output Power	Output Voltage	Output Current Min.	Output Current Max.	Efficiency	Certification
LXWC-022S100SS-20*	120~277Vac ± 10%	22W	7-20V	1000mA	1000mA	84% @120V 83% @240V 83% @277V	UL/cUL
LXWC-022S110SS-20*	120~277Vac ± 10%	22W	7-18V	1100mA	1100mA	84% @120V 83% @240V 83% @277V	UL/cUL
LXWC-022S120SS-20*	120~277Vac ± 10%	22W	7-17V	1200mA	1200mA	84% @120V 83% @240V 83% @277V	UL/cUL
LXWC-022S130SS-20*	120~277Vac ± 10%	22W	7-16V	1300mA	1300mA	84% @120V 83% @240V 83% @277V	UL/cUL
LXWC-022S140SS-20*	120~277Vac ± 10%	22W	7-15V	1400mA	1400mA	84% @120V 83% @240V 83% @277V	UL/cUL
LXWC-022S150SS-20*	120~277Vac ± 10%	22W	7-14V	1500mA	1500mA	84% @120V 83% @240V 83% @277V	UL/cUL
LXWC-022S160SS-20*	120~277Vac ± 10%	22W	7-14V	1600mA	1600mA	84% @120V 83% @240V 83% @277V	UL/cUL

\*Class 2 output

**Wiring Diagram**



**Technical Sales / Customer Service:** +1-818-338-7788 • Email: [sales@autec.com](mailto:sales@autec.com)

31328 Via Colinas Suite 102 • Westlake Village, CA 91362 USA • [www.autec.com](http://www.autec.com)

June 14, 2019

■ **Technical Data**

Input voltage range	120~277Vac ± 10%
Frequency	50/60Hz
Power factor	>0.9 @ 80~100 load, 120~277VAC for all models
Inrush current	7A@230Vac
Max input current	0.26A @120V, 0.14A@240V, 0.12A @277V
THD	< 20% under 120~277Vac input with 80~100% load condition
Load Regulation	± 2%
Line Regulation	± 1%
Current Tolerance	± 5% at full load condition
Turn-on Delay Time	< 0.75s at full load condition
Overshoot	< 10% at full load condition
No Load Power Consumption	< 1W
Ripple & Noise (pk-pk)	< 10%
Withstand voltage	Input to output, 2,000Vdc, 2mA
Leakage current	Maximum 0.5mA at 120Vac, 60Hz input
Protection	Over voltage protection: Hiccup mode. Protection will trigger when load voltage exceeds specified output voltage and will auto recover after the fault mode is removed. Over current protection: Hiccup mode. Protection will trigger when load current exceeds specified output current and will auto recover after the fault mode is removed. Short circuit protection: Hiccup mode. Protection will trigger when short circuit and will auto recover after the fault mode is removed.
Operating temperature	-40 to 60°C
Storage temperature	-40 to 85°C
Humidity	5% to 95%
MTBF	376,000 Hours
Life rating	85,000 Hours
Maximum case Temperature	90°C
Length (L)	4.80" (122mm)
Width (W)	1.58" (40mm)
Height (H)	0.96" (25mm)
Mounting (M)	4.29" (109mm)
Packing	0.22kg / unit; 60pcs / carton; 2,700pcs / pallet

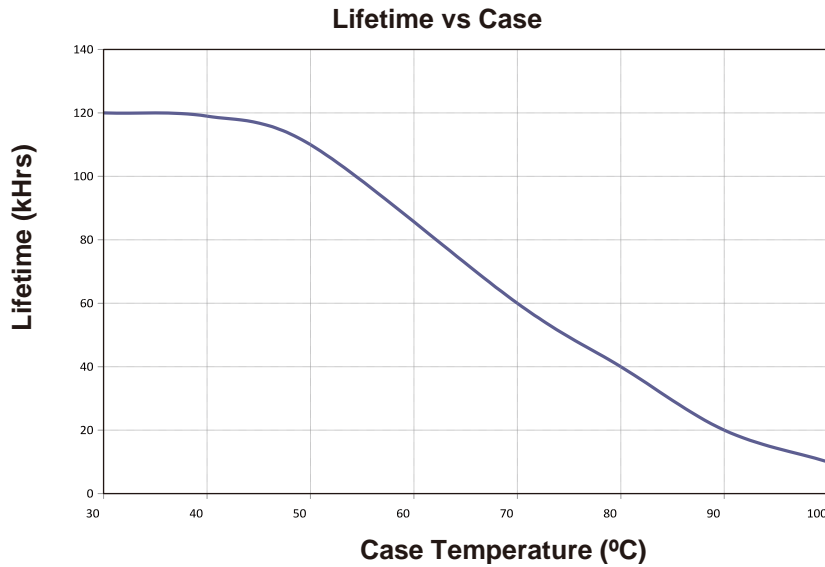
■ **Safety Compliance**

UL/cUL	UL 8750, Type HL
CE	EN61347-1, EN61347-2-13
FCC, 47CFR Part 15	ANSI C63.4:2009 Class B (Consumer Limit)
EN61000-3-2	Harmonic Current Emissions Class C

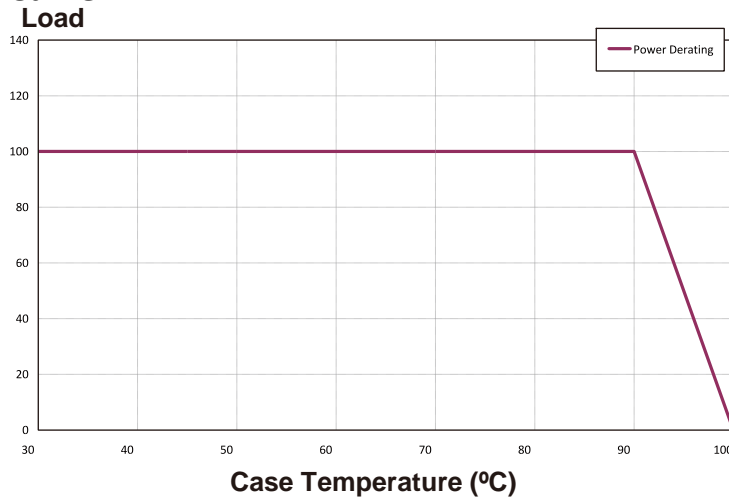
Disclaimer:

Autec Power Systems' (Autec) LED Drivers are Hi-Pot tested during the manufacturing process. Autec assumes no responsibility for secondary Hi-Pot testing at customer location or designated production line(s). Should customer require further Hi-Pot testing, at their own production line, following assembly of the LED Driver into the customer's assembled fixture, Autec requests advance notice. This request must be communicated to Autec in a timely manner and is recommended to be requested at time of issuing each purchase order.

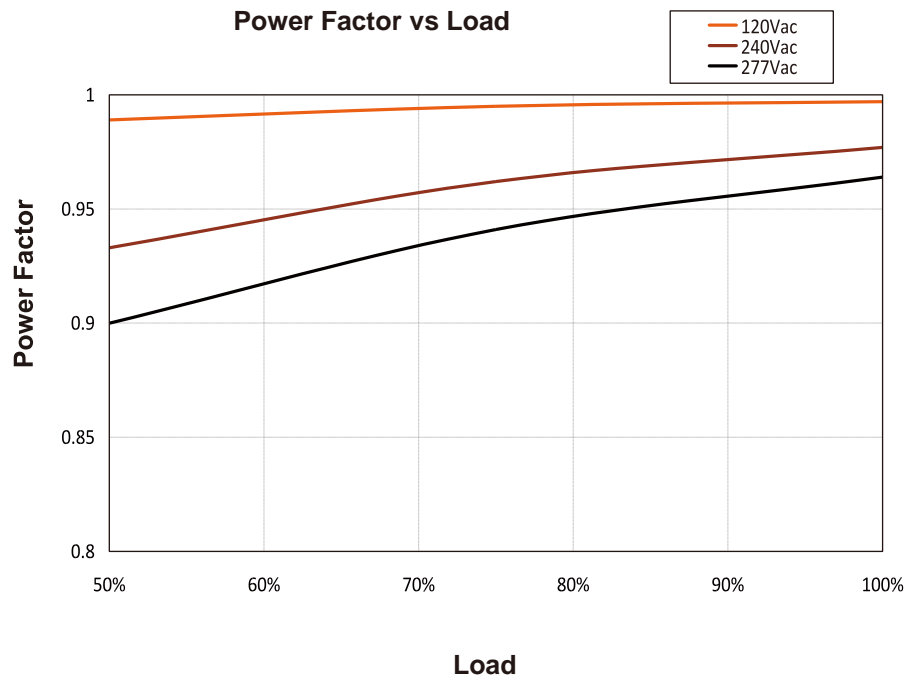
■ **Lifetime vs Case**



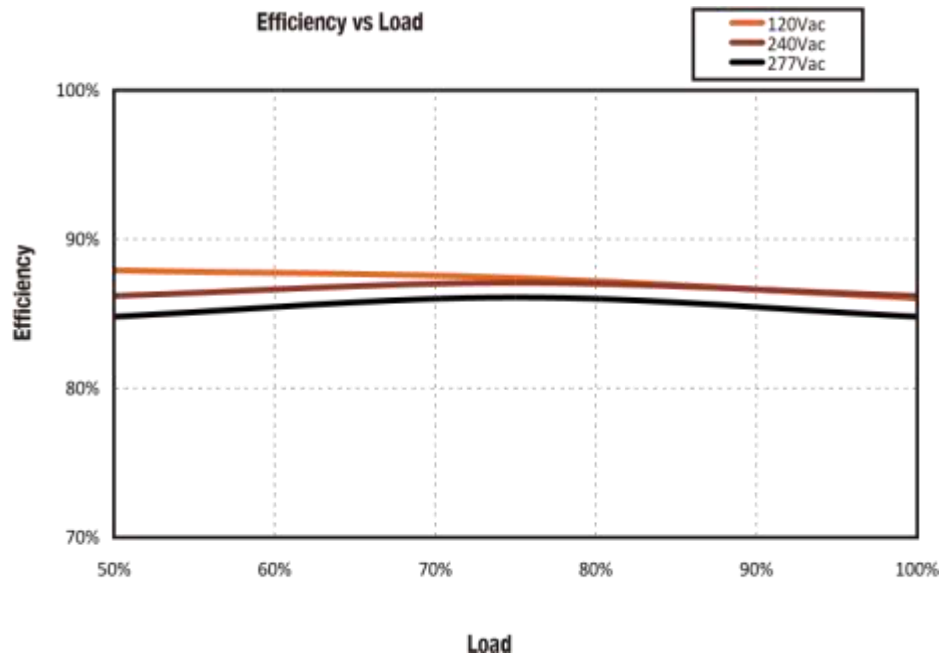
■ **Power Derating Curve**



■ **Power Factor vs Load**



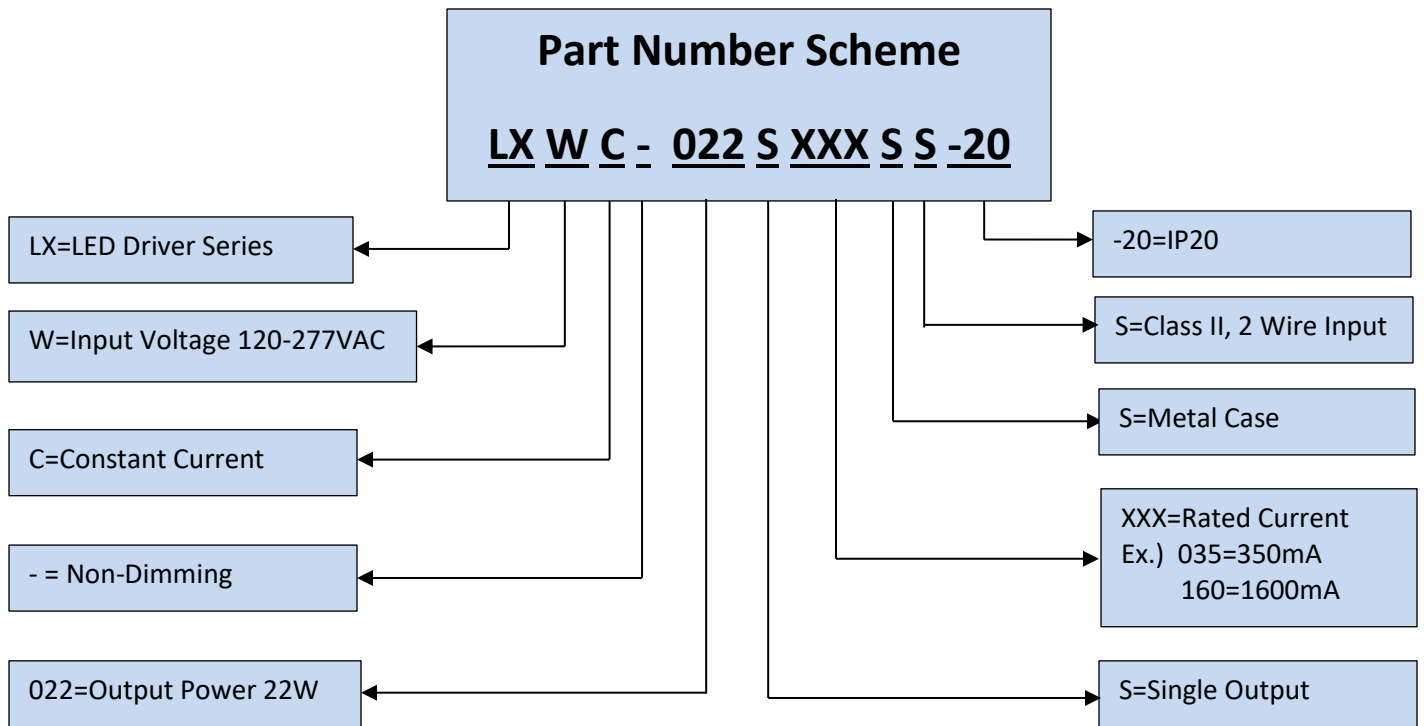
■ **Efficiency vs Load**



**Technical Sales / Customer Service:** +1-818-338-7788 • Email: [sales@autec.com](mailto:sales@autec.com)

31328 Via Colinas Suite 102 • Westlake Village, CA 91362 USA • [www.autec.com](http://www.autec.com)

June 14, 2019



**\*Product images are for illustrative purposes only and may vary from actual design.**

**\*Specifications are subject to change without notice. Autec is not Responsible for issues arising from errors or omissions.**