

■ **Features**

- Power Rating: 16W
- Input Voltage: 120-277Vac
- Constant current design
- Output currents (295mA-1400mA)
- Fixed output current
- Efficiency up to 80%
- UL Class 2 Output
- OVP, SCP, & Open Circuit Protection
- IP20
- 5-year warranty



*Product images are for illustrative purposes only and may vary from actual design.

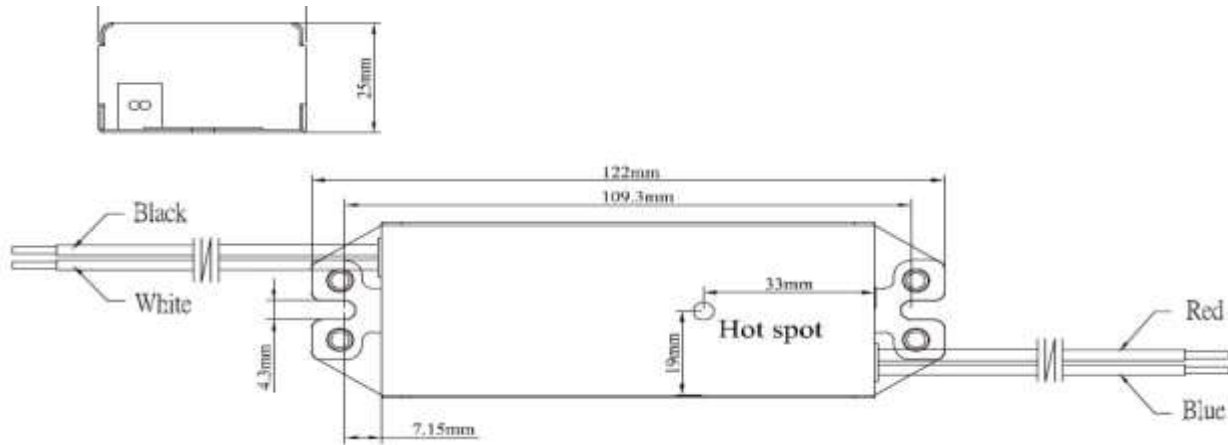
■ **Application**

- Dry and Damp Locations

■ **Model List***(See part number scheme for model number details)

Model Number	Input Voltage Range	Output Power	Output Voltage	Output Current Min.	Output Current Max.	Efficiency	Certification
LXWC-016S029SS-20	120~277Vac ± 10%	14W	18-54V	295mA	295mA	80% @120V	UL/cUL
LXWC-016S030SS-20	120~277Vac ± 10%	14W	17-53V	300mA	300mA	80% @120V	UL/cUL
LXWC-016S040SS-20	120~277Vac ± 10%	14W	13-40V	400mA	400mA	80% @120V	UL/cUL
LXWC-016S050SS-20	120~277Vac ± 10%	14W	10-32V	500mA	500mA	80% @120V	UL/cUL
LXWC-016S060SS-20	120~277Vac ± 10%	14W	9-27V	600mA	600mA	80% @120V	UL/cUL
LXWC-016S070SS-20	120~277Vac ± 10%	14W	8-23V	700mA	700mA	80% @120V	UL/cUL
LXWC-016S080SS-20	120~277Vac ± 10%	14W	7-20V	800mA	800mA	80% @120V	UL/cUL
LXWC-016S090SS-20	120~277Vac ± 10%	14W	6-18V	900mA	900mA	80% @120V	UL/cUL
LXWC-016S100SS-20	120~277Vac ± 10%	14W	6-16V	1000mA	1000mA	80% @120V	UL/cUL
LXWC-016S110SS-20	120~277Vac ± 10%	14W	6-15V	1100mA	1100mA	80% @120V	UL/cUL
LXWC-016S120SS-20	120~277Vac ± 10%	14W	6-13V	1200mA	1200mA	80% @120V	UL/cUL
LXWC-016S130SS-20	120~277Vac ± 10%	14W	6-12V	1300mA	1300mA	80% @120V	UL/cUL
LXWC-016S140SS-20	120~277Vac ± 10%	14W	6-11V	1400mA	1400mA	80% @120V	UL/cUL

■ Wiring Diagram



Input Wire: 12" UL 1316 #18AWG (Black and White)
 Output Wire: 12" UL 1316#22AWG (Red and Blue)

■ Technical Data

Input voltage range	120~277Vac ± 10%
Frequency	50/60Hz
Power factor	>0.9 @ 80~100 load, 120~277VAC for all models
Inrush current	7A @230V
Max input current	0.19A @120V, 0.09A @277V
THD	< 20% under 120~277Vac input with 80~100% load condition
Load Regulation	± 2%
Line Regulation	± 1%
Current Tolerance	± 5% at full load condition
Turn-on Delay Time	< 0.75s at full load condition
Overshoot	< 10% at full load condition
No Load Power Consumption	< 1W
Ripple & Noise (pk-pk)	< 10%
Withstand voltage	Input to output, 2,000Vdc, 2mA
Leakage current	Maximum 0.5mA at 120Vac, 60Hz input

■ **Technical Data(cont.)**

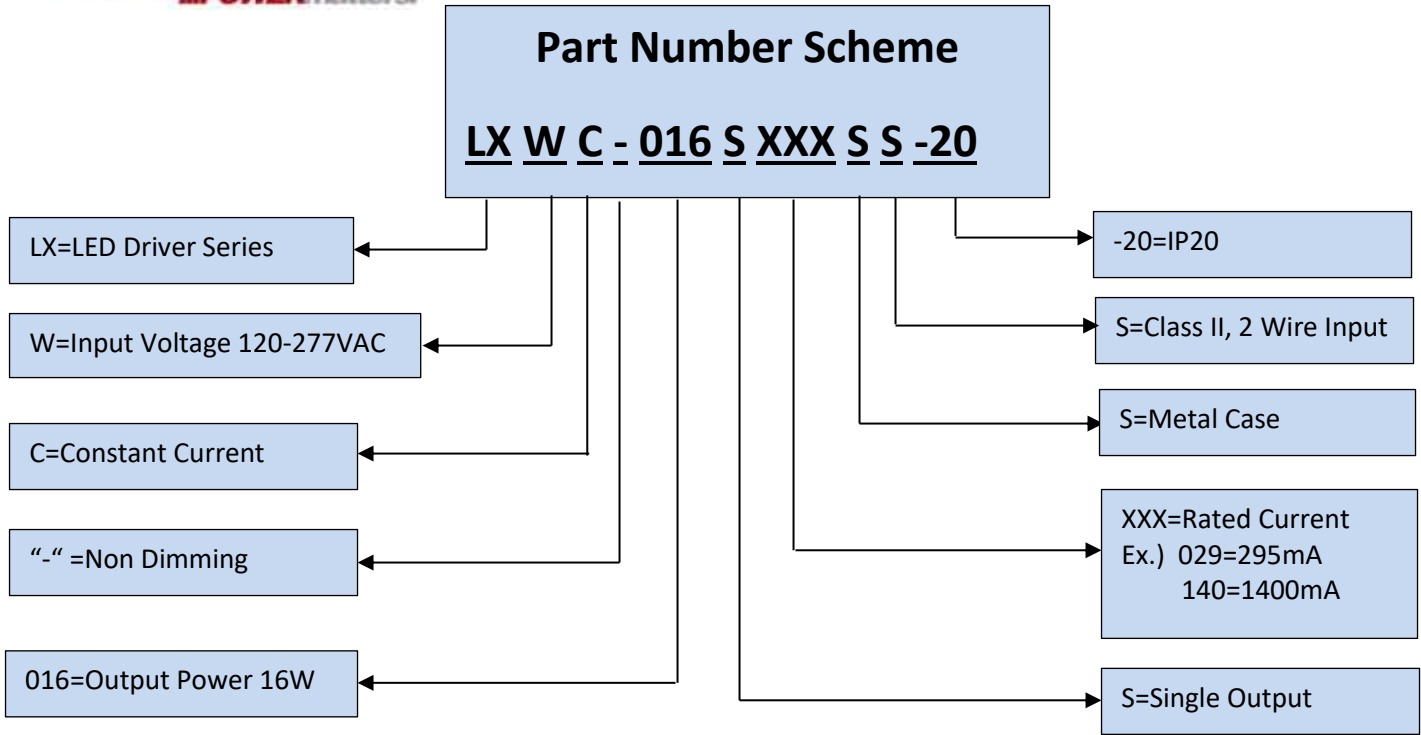
Protection	Over voltage protection: Hiccup mode. Protection will trigger when load voltage exceeds specified output voltage and will auto recover after the fault mode is removed. Over current protection: Hiccup mode. Protection will trigger when load current exceeds specified output current and will auto recover after the fault mode is removed. Short circuit protection: Hiccup mode. Protection will trigger when short circuit and will auto recover after the fault mode is removed.
Operating temperature	-30 to 60°C
Storage temperature	-40 to 85°C
Humidity	5% to 95%
MTBF	TBD
Life rating	TBD
Maximum case Temperature	90°C
Length (L)	4.80" (121.92mm)
Width (W)	1.58" (40.13mm)
Height (H)	0.96" (24.38mm)
Mounting (M)	4.29" (108.96mm)
Packing	TBD

■ **Safeties**

UL/cUL	UL 8750
CE	EN61347-1, EN61347-2-13
FCC, 47CFR Part 15	ANSI C63.4:2009 Class B (Consumer Limit)
EN61000-3-2	Harmonic Current Emissions Class C

Disclaimer:

Autec Power Systems' (Autec) LED Drivers are Hi-Pot tested during the manufacturing process. Autec assumes no responsibility for secondary Hi-Pot testing at customer location or designated production line(s). Should customer require further Hi-Pot testing, at their own production line, following assembly of the LED Driver into the customer's assembled fixture, Autec requests advance notice. This request must be communicated to Autec in a timely manner and is recommended to be requested at time of issuing each purchase order.



***Product images are for illustrative purposes only and may vary from actual design.**

***Specifications are subject to change without notice. Autec is not Responsible for issues arising from errors or omissions.**