

■ **Features**

- Power Rating from 62W-110W
- Input voltage range: 90-264V
- Output current(100mA-18000mA)
- 3"x 5" form factor
- Efficiency to 82%
- Protections: SCP, OCP, and OVP
- Class 1 & Class 2 options
- Low leakage current <250µA
- Cover kit accessory available



*Product images are for illustrative purposes only and may vary from actual design.

■ **Applications**

- Network system, telecommunication system, storage system, industrial equipment, and consumer electronics

■ **Model List***(See part number scheme for model number details)

Model Number	Output Voltage	Output Current Min.	Output Current Max. Convection	Output Current Max. 150LFM	Output Power Conv./150LFM	Efficiency 120/230Vac	Certificates
SPJ110-051-XY	5.1V	0.1A	12A	18A	62W/92W	80%/82%	UL/cUL
SPJ110-120-XY	12V	0.4A	6.8A	9.2A	80W/110W	80%/82%	UL/cUL
SPJ110-150-XY	15V	0.4A	5.5A	7.3A	80W/110W	80%/82%	UL/cUL
SPJ110-240-XY	24V	0.1A	3.33A	4.6A	80W/110W	80%/82%	UL/cUL
SPJ110-480-XY	48V	0.2A	1.7A	2.3A	80W/110W	80%/82%	UL/cUL
SPJ110-4001-XY	V1=+5.1V	V1=1A	V1=10A	V1=15A	75W/110W	80%/82%	UL/cUL
	V2=+12.4V	V2=0.1A	V2=3A	V2=4.1A			
	V3=-5.1V	V3=0A	V3=0.8A	V3=1.1A			
	V4=-12.5V	V4=0A	V4=0.8A	V4=1.1A			
SPJ110-4002-XY	V1=+5.1V	V1=1A	V1=10A	V1=15A	75W/110W	80%/82%	UL/cUL
	V2=+23.5V	V2=0.1A	V2=2A	V2=2.75A			
	V3=+12.5V	V3=0A	V3=0.8A	V3=1.1A			
	V4=-12.5V	V4=0A	V4=0.8A	V4=1.1A			
SPJ110-4003-XY	V1=+5.1V	V1=1A	V1=10A	V1=15A	75W/110W	80%/82%	UL/cUL
	V2=+16V	V2=0.1A	V2=3A	V2=4.1A			
	V3=-5.1V	V3=0A	V3=0.8A	V3=1.1A			
	V4=-16V	V4=0A	V4=0.8A	V4=1.1A			
SPJ110-4004-XY	V1=+5.1V	V1=1A	V1=10A	V1=15A	75W/110W	80%/82%	UL/cUL
	V2=+12.4V	V2=0.1A	V2=3A	V2=4.1A			
	V3=+24V	V3=0A	V3=0.8A	V3=1.1A			
	V4=-12.5V	V4=0A	V4=0.8A	V4=1.1A			
SPJ110-4005-XY	V1=+3.3V	V1=1A	V1=10A	V1=15A	70W/98W	80%/82%	UL/cUL
	V2=+5.1V	V2=0.1A	V2=3A	V2=4.1A			
	V3=+12.5V	V3=0A	V3=0.8A	V3=1.1A			
	V4=-12.5V	V4=0A	V4=0.8A	V4=1.1A			

*Contact Autec Sales for cover kit accessory

■ **Technical Data**

AC Input	90-264Vac
Input Frequency	47-63Hz
Input Current	120Vac: 2.4A max 230Vac: 1.2A max
Inrush Current	120Vac: 35A max, 230Vac: 65A max
Leakage Current	120Vac: <140µA, 230Vac: <250µA
Hold-up Time	120Vac: 15ms, 230Vac: 22ms
Output Power	62-110W
Ripple	1%
Line Regulation	±0.3%
Load Regulation	V1: ±1%; V2: ±5%; V3 and V4: ±7%
Transient Response	<10%, 50% to 100% load change, 50/60Hz, 50% duty cycle, 0.1A/µs, recovery time <1ms
Rise Time	<40ms
Set Point Tolerance	V1: ±3%; V2: ±5%, V3 & V4: ±7%
Over Current Protection	110-160%
Over Voltage Protection	4.1V ±0.2V for 3.3V; 6.4V ±0.4V for 5V
Short Circuit Protection	Short term, auto recovery
Switching Frequency	Boost converter: 45kHz, Resonant converter: 45kHz
Operating Temperature	0 to 70C
Storage Temperature	-40 to +85°C
Relative Humidity	95% Rh, noncondensing
Altitude	Operating: 10,000ft.; Nonoperating: 40,000 ft.
MTBF	1.97m Hours, Telcordia-SR332-issue-3
Isolation Voltage	Min. 5757Vdc between input to output
Cooling	Convection: 80W; 150LFM: 110W

Notes:

1. Maximum current per output channel. Do not exceed total output power rating.
2. Ripple is peak to peak with 20MHz bandwidth and 10µF (Tantalum capacitor) in parallel with 0.1µF capacitor at rated line voltage and load ranges.
3. Power Fail and Power Good signal for quad output models only and optional.
4. Specifications are for nominal input voltage, 25°C and max. load unless otherwise stated.
5. Derate output power linear to 80% from 90Vac to 80Vac input.

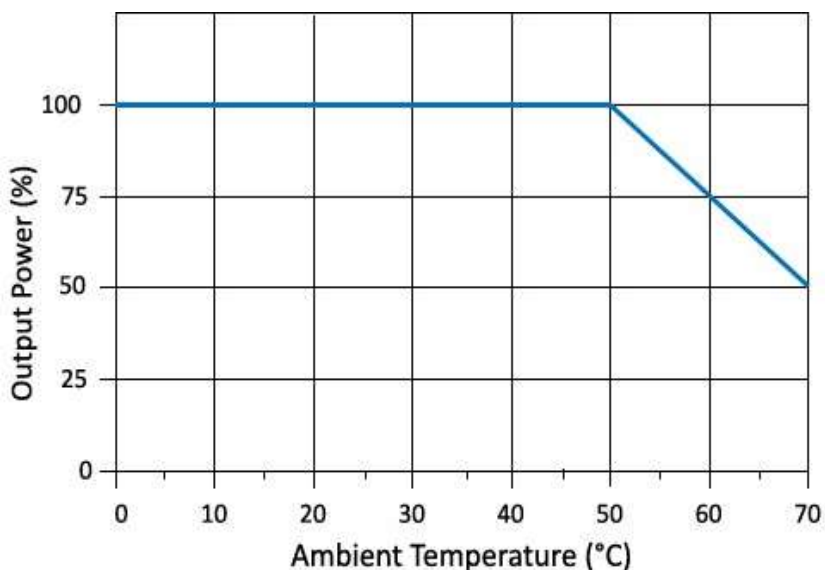
■ **Safety and EMC Approval**

CE Mark	Complies with LVD Directive
Conducted Emissions	EN55022-B, CISPR22-B, FCC Par15-B
Static Discharge	EN61000-4-2, Level-3
RF Field Susceptibility	EN61000-4-3, Level-3
Fast Transients/Bursts	EN61000-4-4, Level-3
Radiated Emissions	EN55022-B, CISPR22-B, FCC Part 15-B
Surge Susceptibility	EN61000-4-5, Level-3
Harmonic Current	EN6100-3-2, Class A
Safety Standards	IEC60601-1(ed.3), EN60601-1, UL60601-1(1 st ed.), CSA C22.2 No. 601.1
Approval Agency	Nemko, UL, cUL

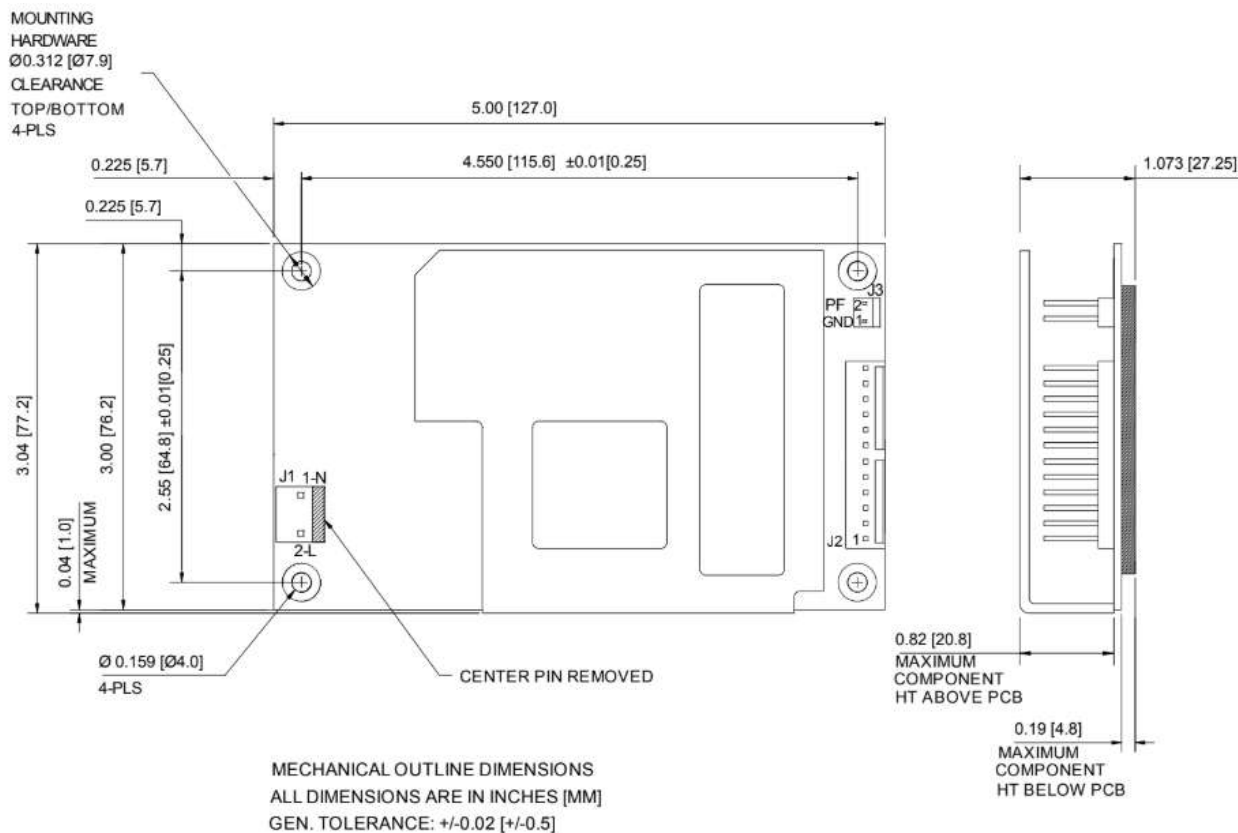
Technical Sales / Customer Service: +1-818-338-7788 • Email: sales@autec.com
 31328 Via Colinas Suite 102 • Westlake Village, CA 91362 USA • www.autec.com

April 8, 2019

■ Derating Curve



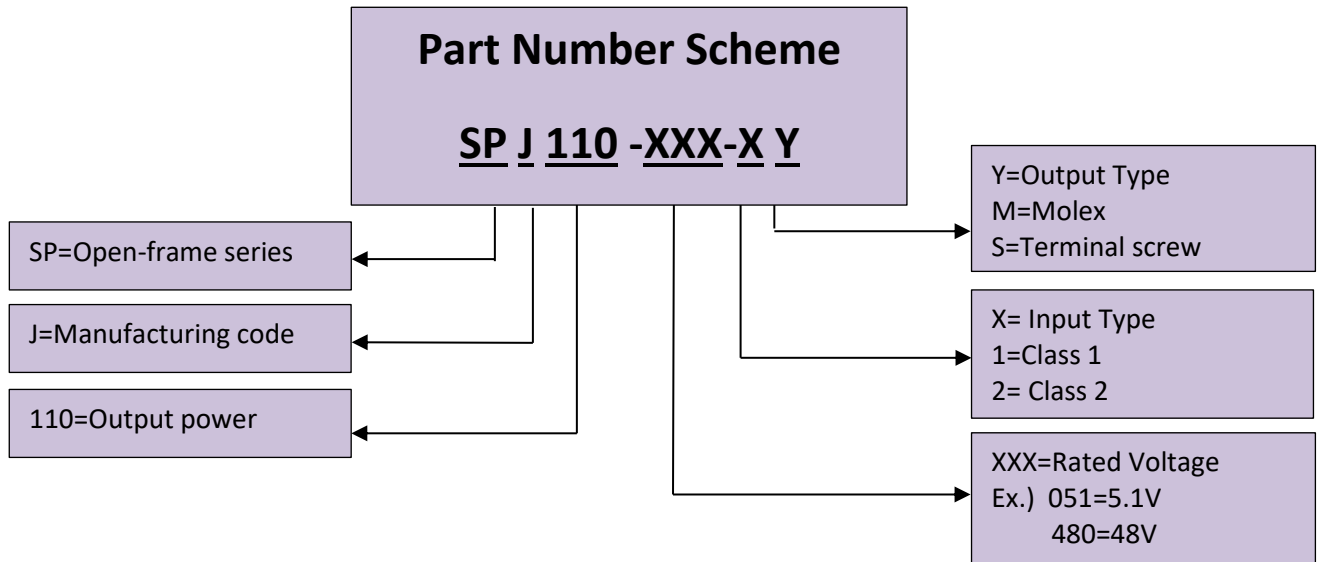
■ Mechanical Diagram

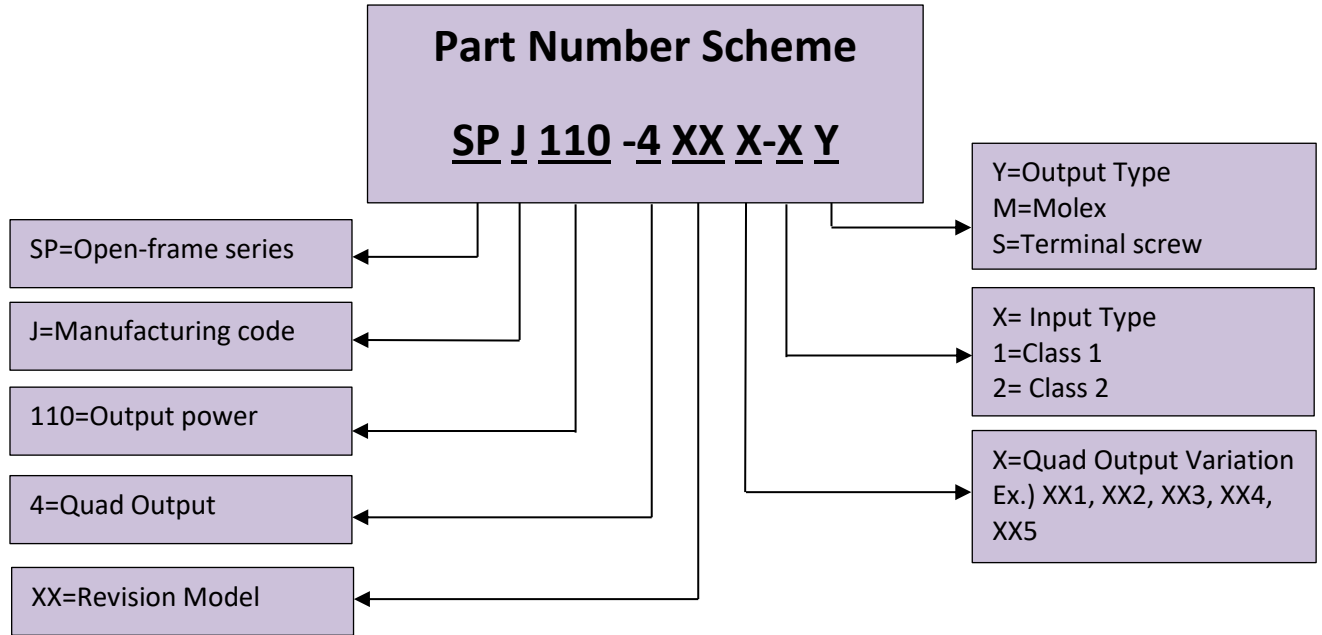


Connectors		
J1	Pin 1	AC Neutral
	Pin 2	AC Line
Spade Connector		Earth
J2	Pin 1, 2, 3, 4,	V1
	Pin 5, 6, 7, 8	RTN
	Pin 9, 10	V2
	Pin 11	V3
J3	Pin 12	V4
	Pin 1	RTN
	Pin 2	Power Fail

Mechanical Specifications	
AC Input Connector (J1)	Molex: 26-60-4030 or equivalent Mating: 09-50-3031; Pins: 08-50-0106
Earth	Molex: 19705-4301 equivalent Mating: 190030001
DC Output Connector (J2)	Tyco: 1-640445-2 or equivalent Mating: 1-647402-2; Pins: 3-647409-1
Signal Connector (J3)	Molex: 22-23-2021 or equivalent Mating: 22-01-2021
Dimensions	5.0x3.04x1.07 in. (127x77.22x27.18mm)
Weight	250g

Signal	
Power Fail Signal	Signal goes low 1ms advance before output goes out of regulation due to mains failure





*Product images are for illustrative purposes only and may vary from actual design.

*Specifications are subject to change without notice. Autec is not responsible for issues arising from errors or omissions.