

■ **Features**

- Single output to 25-36W
- 100-240Vac Universal input
- Certificates: UL, CE
- Safety agency requirements and EMI/EMS Certified
- Frequency: 50-60Hz
- OVP, OCP, and SCP
- Efficiency level: VI
- Available Plug types: US, EU, AU, UK, KC, CN plug
- Space saver design
- Industrial Grade available
- 1-year Warranty



*Product images are for illustrative purposes only and may vary from actual design.

■ **Application**

- Medical equipment

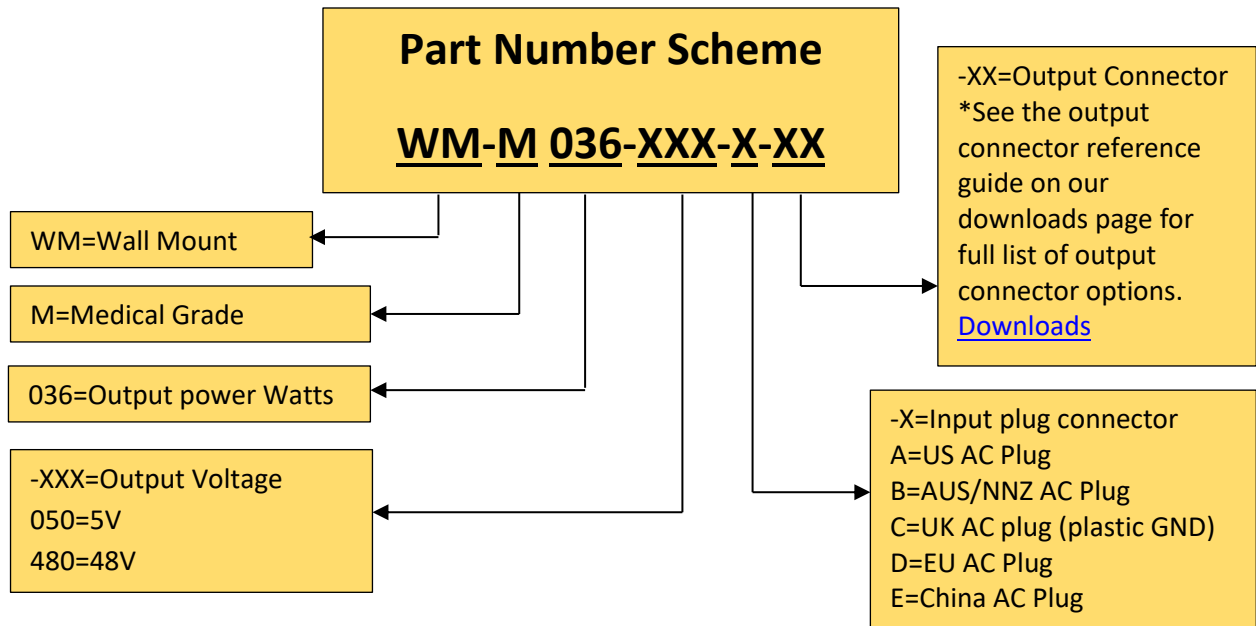
■ **Model List**

Custom Designs Available!

Model	Output Voltage	Output Current	Power	Certifications
WM-M036-050-X-XX	5V	5A	25W	UL, CE
WM-M036-075-X-XX	7.5V	4A	30W	UL, CE
WM-M036-085-X-XX	8.5V	3.52A	30W	UL, CE
WM-M036-090-X-XX	4	3.34A	30W	UL, CE
WM-M036-120-X-XX	12V	3A	36W	UL, CE
WM-M036-135-X-XX	13.5V	2.66A	36W	UL, CE
WM-M036-150-X-XX	15V	2.4A	36W	UL, CE
WM-M036-160-X-XX	16V	2.25A	36W	UL, CE
WM-M036-180-X-XX	18V	2A	36W	UL, CE
WM-M036-240-X-XX	24V	1.5A	36W	UL, CE
WM-M036-480-X-XX	48V	0.75A	36W	UL, CE

■ Technical Data

Input Voltage	100-240Vac
Line Frequency	50-60Hz
Input Current	1A Max.
Protection	Internal Primary Current Fuse
Configuration	A=US AC Plug B=AUS/NNZ AC Plug C=UK AC plug (plastic GND) D=EU AC Plug E=China AC Plug
Load Regulation	±5%
Ripple	2% Vp-p Max. for output voltage@ Full Load
Transient Response	0.5mS for 50% Load change typical
Hold-up Time	10mS@Full load
Protection	SCP/OVP/OCP
DC Cord	22AWG/20AWG/18AWG/16AWG
Ferrite Core	No(optional)
Topology	Switching Flyback
Dielectric Withstand	3000Vac Primary to Secondary
Leakage Current	0.25mA
Efficiency	DoE Level VI, Energy Star, ErP Stage 2, Coc Tier 2, NRCan & GEMS Level VI certified
MTBF	300,000 calculated hours at 25°C by Telcordia SR-332
Operating Temperature	0 to +40°C
Storage Temperature	-20 to +80°C
Relative Humidity Operating	20-80% RH
Relative Humidity Storage	10-90% RH
Cooling	Natural Convection Cooling
Case Dimension	A=79x34x74
	B=79x41x82
	C=79x49x86
	D=79x34x94
Weight	160g



*Product images are for illustrative purposes only and may vary from actual design.

*Specifications are subject to change without notice. Autec is not responsible for issues arising from errors or omissions.