

■ Features

- Single output from 18-36W
- 100-240Vac Universal input
- Safety standard: IEC60950, IEC60601, IEC61558, IEC60335
- Certificates: UL, CE
- SCP, OCP, OVP, and OTP
- Efficiency Level VI
- MTBF: 50,000 hours
- Dimension: 111\*53.5\*33.5mm



\*Product images are for illustrative purposes only and may vary from actual design.

■ Application

- Consumer electronics and office equipment
- Industrial equipment

■ Model List

Custom Designs Available!

Model	Output Voltage	Output Current	Power	Certificates
DT036S-060-X-XX	6V	4A	24W	UL, CE
DT036S-090-X-XX	9V	4A	36W	UL, CE
DT036S-120-X-XX	12V	3A	36W	UL, CE
DT036S-150-X-XX	15V	2.4A	36W	UL, CE
DT036S-180-X-XX	18V	2A	36W	UL, CE
DT036S-240-X-XX	24V	1.5A	36W	UL, CE

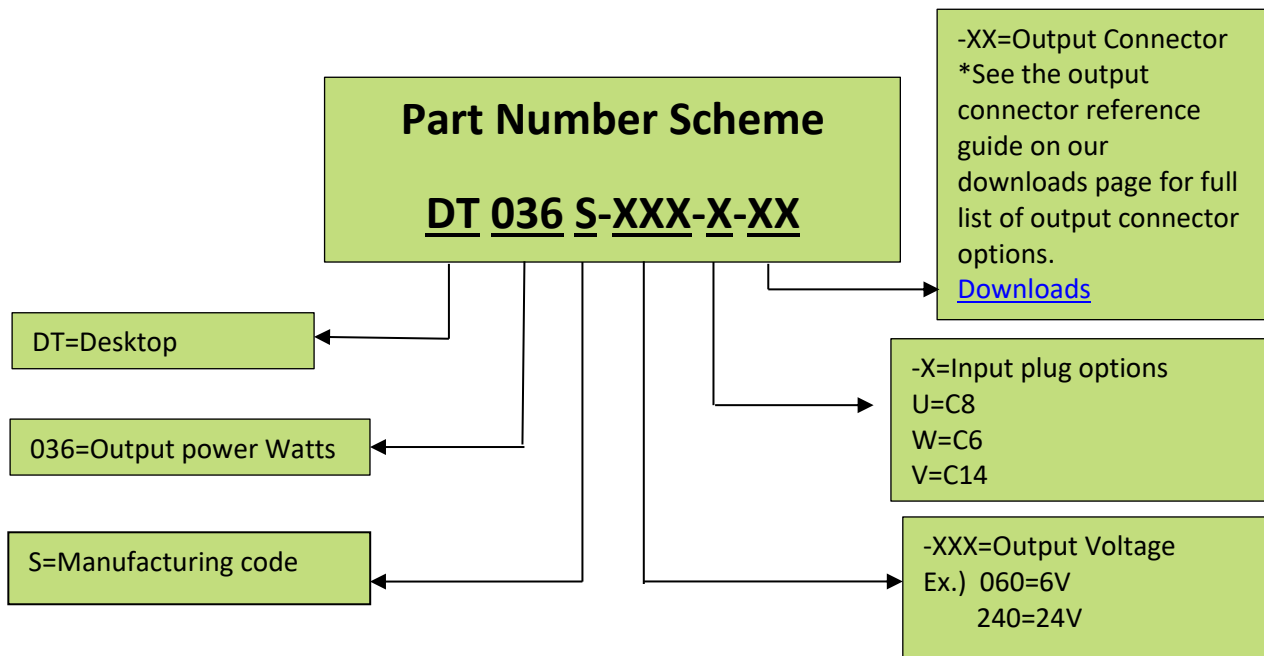
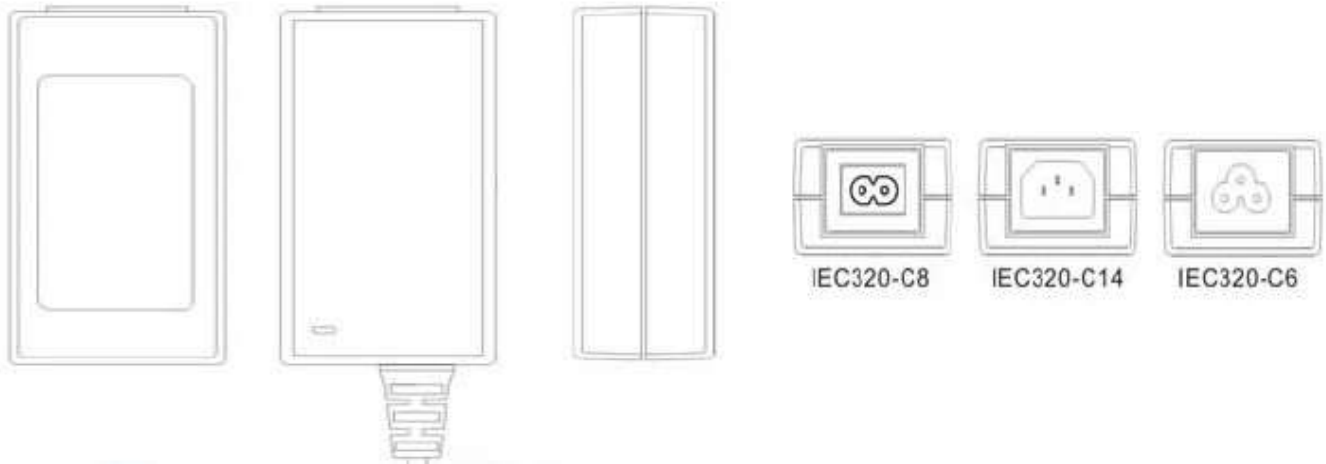
■ Protections

Over Voltage Protection	V out *120-150% Max.
Short Circuit Protection	Shut down
Over Current Protection	I out *120-150% Max.
Over Temperature Protection	Latch Protection

Note: When Over Current Protection is activated, the power supply will shut down automatically. Once the abnormal condition resulting in the failure being removed, the power supply will restart. When Over Voltage Protection or Over Temperature Protection is activated, the power supply will latch.

■ Mechanical Diagram

\*Available A/C inlet with C6, C8, and C14



**\*Some Safety Agency Approvals may differ from what is shown. Contact Autech Sales!**

**\*Product images are for illustrative purposes only and may vary from actual design.**

**\*Specifications are subject to change without notice. Autech is not responsible for issues arising from errors or omissions.**