

■ Features

- Single output to 40W
- Input voltage range: 90-264V
- Output current(700mA-5000mA)
- 2"x 3" form factor
- Efficiency to 85%
- Protections: OCP, SCP, and OVP
- Class 1 & Class 2 options
- Cover kit accessory available



*Product images are for illustrative purposes only and may vary from actual design.

■ Applications

- Network system, telecommunication system, storage system, industrial equipment, and consumer electronics

■ Model List*(See part number scheme for model number details)

Model Number	Input Voltage	Output Power	Output Voltage	Output Current Min.	Output Current Max.	Efficiency	Certificates
SPJ40-050-PC	90-264Vac	40W	5V	0	5A	85%	UL/cUL
SPJ40-120-PC	90-264Vac	40W	12V	0	3.33A	85%	UL/cUL
SPJ40-150-PC	90-264Vac	40W	15V	0	2.7A	85%	UL/cUL
SPJ40-240-PC	90-264Vac	40W	24V	0	1.7A	85%	UL/cUL
SPJ40-300-PC	90-264Vac	40W	30V	0	1.33A	85%	UL/cUL
SPJ40-480-PC	90-264Vac	40W	48V	0	0.83A	85%	UL/cUL
SPJ40-560-PC	90-264Vac	40W	56V	0	0.7A	85%	UL/cUL

■ Technical Data

AC Input	90-264Vac
Input Frequency	47-63Hz
Input Current	115Vac: 0.8A max 230Vac: 0.4A max
No Load Power	<0.3W
Inrush Current	115Vac: 25A max., 230Vac: 45A max., 264Vac: 75A
Leakage Current	300µA Typical, (N/A for Class 2 option)
Hold-up Time	40W: 6ms@230Vac
Output Power	40W Convection cooling
Line Regulation	±0.5%
Load Regulation	±1%
Transient Response	25% step load change, at 0.1A/µs slew rate, 50% duty cycle, 50hz=4%, Recovery time <5ms
Rise Time	50ms typical
Set Point Tolerance	±1%
Over Current Protection	>110%

Technical Sales / Customer Service: +1-818-338-7788 • Email: sales@autec.com
 31328 Via Colinas Suite 102 • Westlake Village, CA 91362 USA • www.autec.com

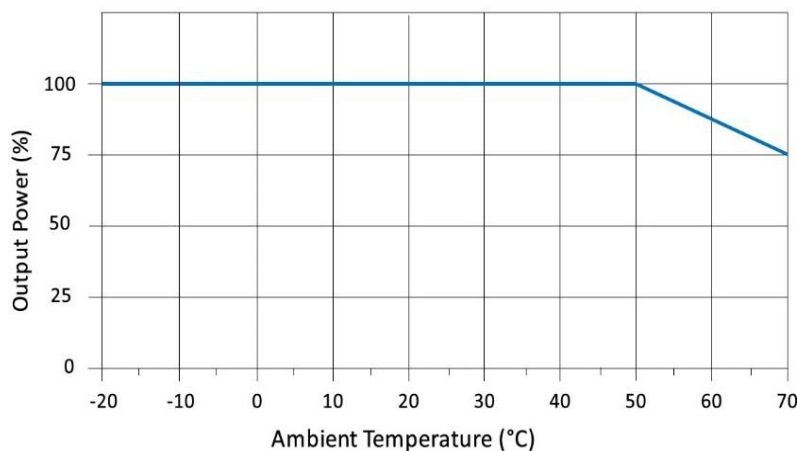
■ Technical Data(cont.)

Over Voltage Protection	110-140%
Short Circuit Protection	Hiccup mode
Switching Frequency	65kHz typical
Operating Temperature	-40-+70°C
Storage Temperature	-40-+85°C
Relative Humidity	5-95% Rh, noncondensing
Altitude	Operating: 16,000ft.; Nonoperating: 40,000 ft.
MTBF	2m Hours, Telcordia-SR332-issue 3
Isolation Voltage	Min. 4242 Vdc between input to output
Cooling	Convection

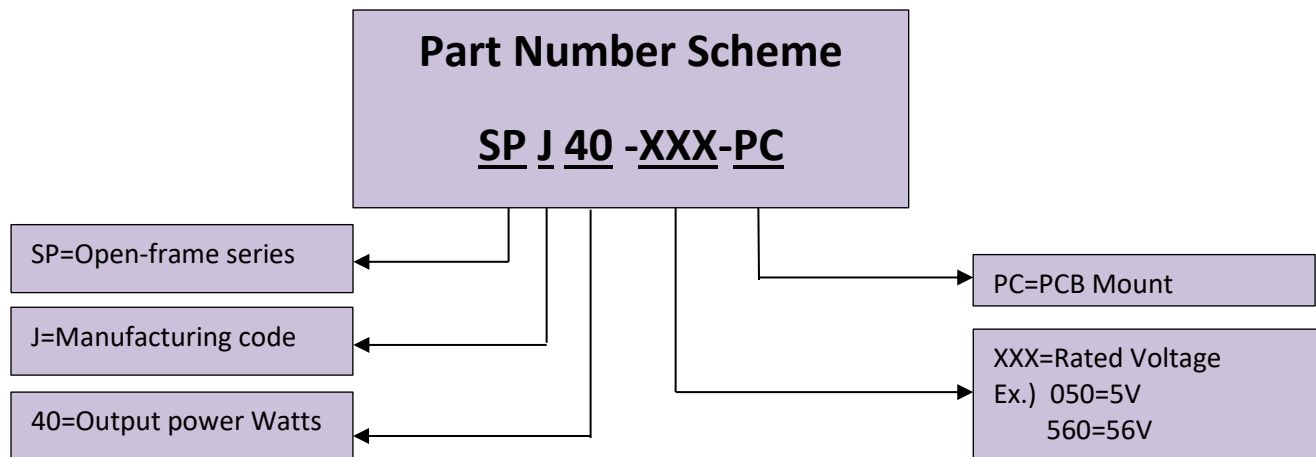
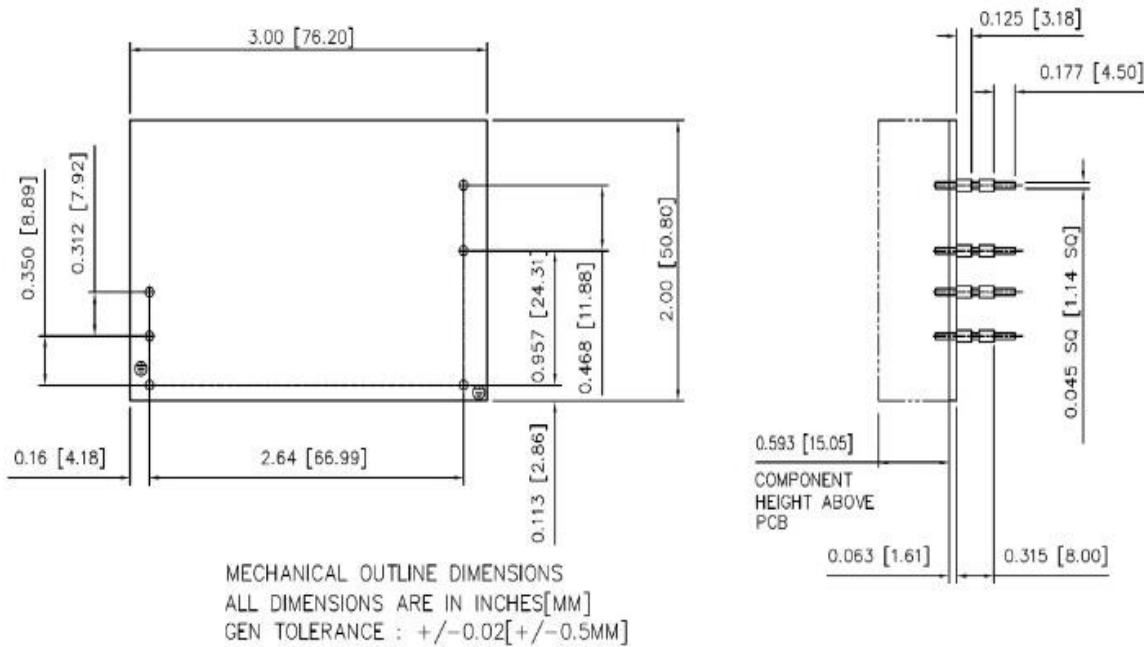
■ Safety and EMC Approval

CE Mark	Complies with LVD Directive
Conducted Emissions	EN55022-B, CISPR22-B, FCC Par15-B
Static Discharge	EN61000-4-2, Level-3
RF Field Susceptibility	EN61000-4-3, Level-3
Fast Transients/Bursts	EN61000-4-4, Level-3
Radiated Emissions	EN55022-B, CISPR22-B, FCC Par15-B to be controlled in end system
Surge Susceptibility	EN61000-4-5, Level-3
Harmonic Current	EN61000-3-2, Class A
Safety Standards	IEC60950-1(2 nd edition), EN60950-1, UL60950-1(2 nd edition), CSA C22.2 No. 60950-1(2 nd Edition), Class 1 SELV

■ Derating Curve



■ Mechanical Diagram



*Product images are for illustrative purposes only and may vary from actual design.

*Specifications are subject to change without notice. Autec is not responsible for issues arising from errors or omissions.

Technical Sales / Customer Service: +1-818-338-7788 • Email: sales@autec.com
31328 Via Colinas Suite 102 • Westlake Village, CA 91362 USA • www.autec.com