

# ROADSIDE

SERVICES AND SOLUTIONS

## GAS-LIFT RETRACTABLE BOLLARD

INFORMATION

“Creating a **safer environment**™”

### Our shared vision

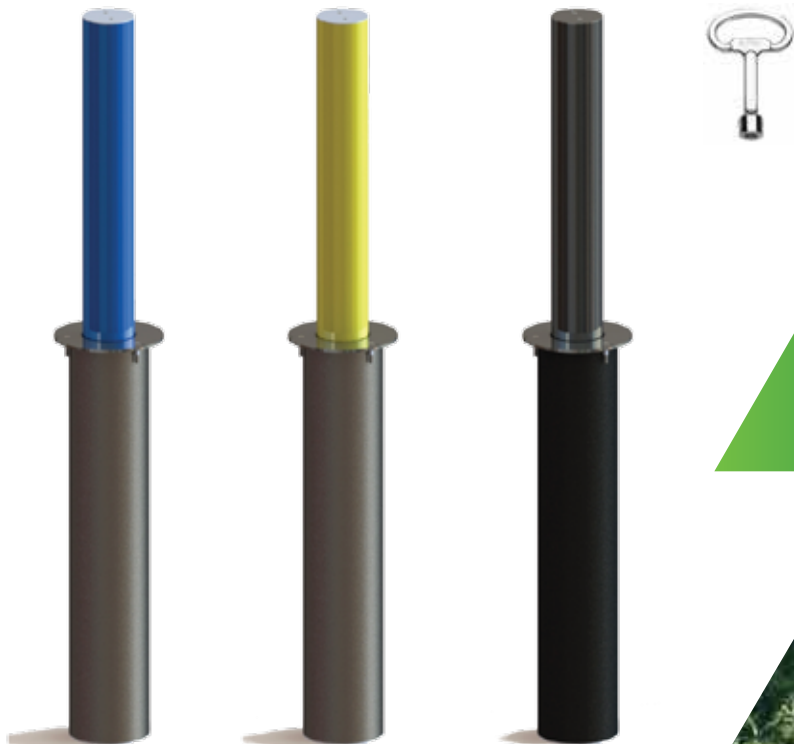
Wherever possible, Roadside Services and Solutions chooses suppliers who share our vision and embrace sustainability. This is why Roadside is proud to partner with global companies like 3M which is renowned for its commitment to the environment and is the sole supplier to Roadside of sign sheeting and pavement marking solutions.

## Gas-Lift Retractable Bollard - GRB

The Gas-Lift Retractable Bollard is a non-redirective barrier solution, designed to prevent access to driveways while allowing authorised entry with a turn of a key.

This Gas-Lift Retractable Bollard does not require installed power and is very low maintenance.

The bollard comes with a powder coat finish available in any RAL colour chart.



**ROADSIDE**  
SERVICES AND SOLUTIONS

For further information please contact

T 1300 022 222 F 1300 131 111

E [roadside@rss.net.au](mailto:roadside@rss.net.au) W [roadsideservices.com.au](http://roadsideservices.com.au)



## Technical specifications

### Features:

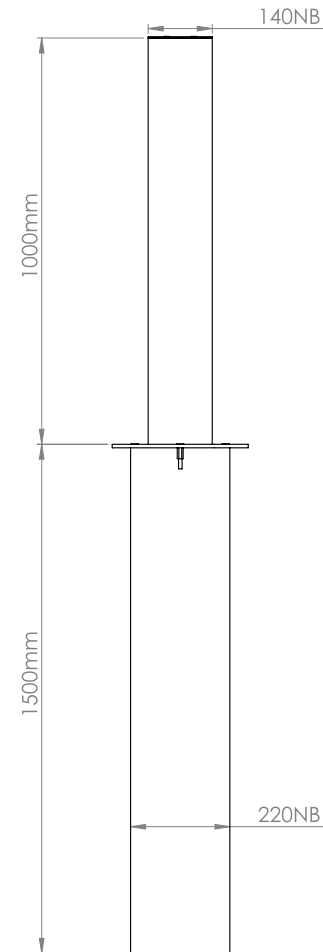
- 304 grade stainless steel (can be upgraded to 316 grade)
- No power required for operation
- Australian manufactured gas struts
- Easy access for maintenance
- Replacement parts can be easily ordered
- Wholly Australian-designed and made

### Options:

- Powder coat is available in any RAL colour
- 3M reflective bands

### Dimensions:

- Bollard assembly 220mm x 2500mm
- Bollard above ground 140mm x 1000mm



**ROADSIDE**  
SERVICES AND SOLUTIONS



For further information please contact

T 1300 022 222 F 1300 131 111

E [roadside@rss.net.au](mailto:roadside@rss.net.au) W [roadsideservices.com.au](http://roadsideservices.com.au)

© 2019 Roadside Services and Solutions Pty Ltd

## Knowledgeable advice and quality products

Roadside offers friendly and helpful advice from its team of sign experts in regards to each state's regulations covering the use, installation, erection and placement of signage.

Utilising two state-of-the-art DURST Roll-to-Roll/Flatbed UV Inkjet-Printers we are capable of producing more than 330m of Class 1 and Diamond Grade signs on a daily basis. Roadside has almost 100 fulltime staff and operates an extensive fleet of plant and equipment.

We operate manufacturing facilities in Melbourne, Adelaide and Darwin. These operations are complemented by our representatives in New South Wales, Western Australia, Tasmania and New Zealand.

### Creating a safer environment.

#### QUALITY

Roadside Services and Solutions provides exceptional customer service and supplies consistently high quality products. Our sign manufacturing facilities in Adelaide and Melbourne deploy state-of-the-art technology and our exclusive use of 3M products provides unparalleled quality and reliability. The quality management system at Roadside complies with the requirements of the international standard ISO 9001:2015 and is externally audited by SAI Global.

#### ENVIRONMENT

Roadside Services and Solutions is committed to responsible environmental management, conservation of natural resources, waste reduction and efficient use of energy in its operations, as well as compliance with relevant legislative provisions.

The environmental management system at Roadside complies with the requirements of international standard ISO 14001:2015.

#### OH&S

Roadside Services and Solutions is committed to providing a safe, inclusive and effective workplace and ensures this is maintained through an occupational health and safety management system complying with the international standard OHSAS 18001:2007 and which is externally audited by SAI Global.

#### LOCATIONS

VICTORIA: Factory 2, 841 Mountain Highway, Bayswater, 3153

SOUTH AUSTRALIA: 88 Stanbel Road, Salisbury Plain, 5109

NORTHERN TERRITORY: 4 Mathew Hopkins Road, Holtz, 0829

**ROADSIDE**

SERVICES AND SOLUTIONS



For further information please contact

T 1300 022 222 F 1300 131 111

E [roadside@rss.net.au](mailto:roadside@rss.net.au) W [roadsideservices.com.au](http://roadsideservices.com.au)

© 2019 Roadside Services and Solutions Pty Ltd