

ROADSIDE

SERVICES AND SOLUTIONS

ACCESS CONTROL BOLLARD

INFORMATION

“Creating a **safer environment**™”

Our shared vision

Wherever possible, Roadside Services and Solutions chooses suppliers who share our vision and embrace sustainability. This is why Roadside is proud to partner with global companies like 3M which is renowned for its commitment to the environment and is the sole supplier to Roadside of sign sheeting and pavement marking solutions.

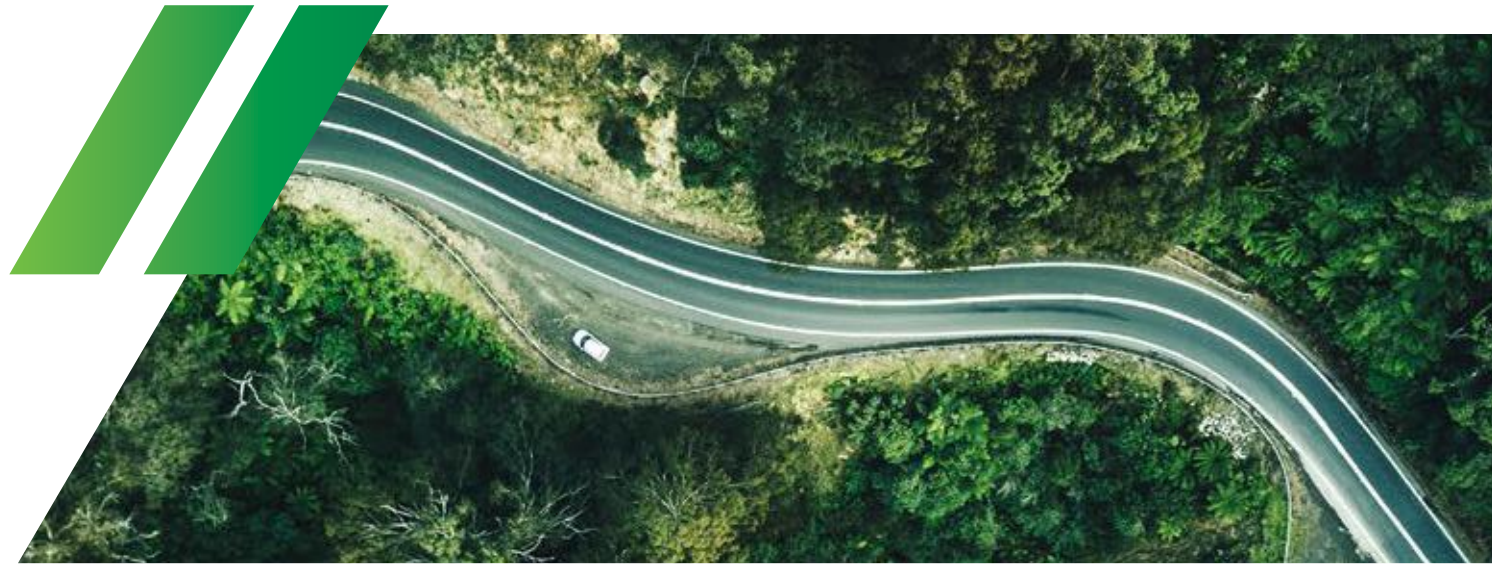
Access Control Bollard - ACB

The Access Control Bollard series accommodates a range of access control accessories including push buttons, radio-frequency identification readers, two-way intercoms, cameras and electronic keypads.

The weather shield design protects the access control devices against rain and sun which makes the bollard suitable for both indoor and outdoor applications.

Custom sizes and custom colours are also available on request. Choose from either a safety yellow powder coat finish or brushed 304 stainless steel finish.

We also offer a custom design and manufacturing service for customised applications. Visit our website or speak to our staff for more details.



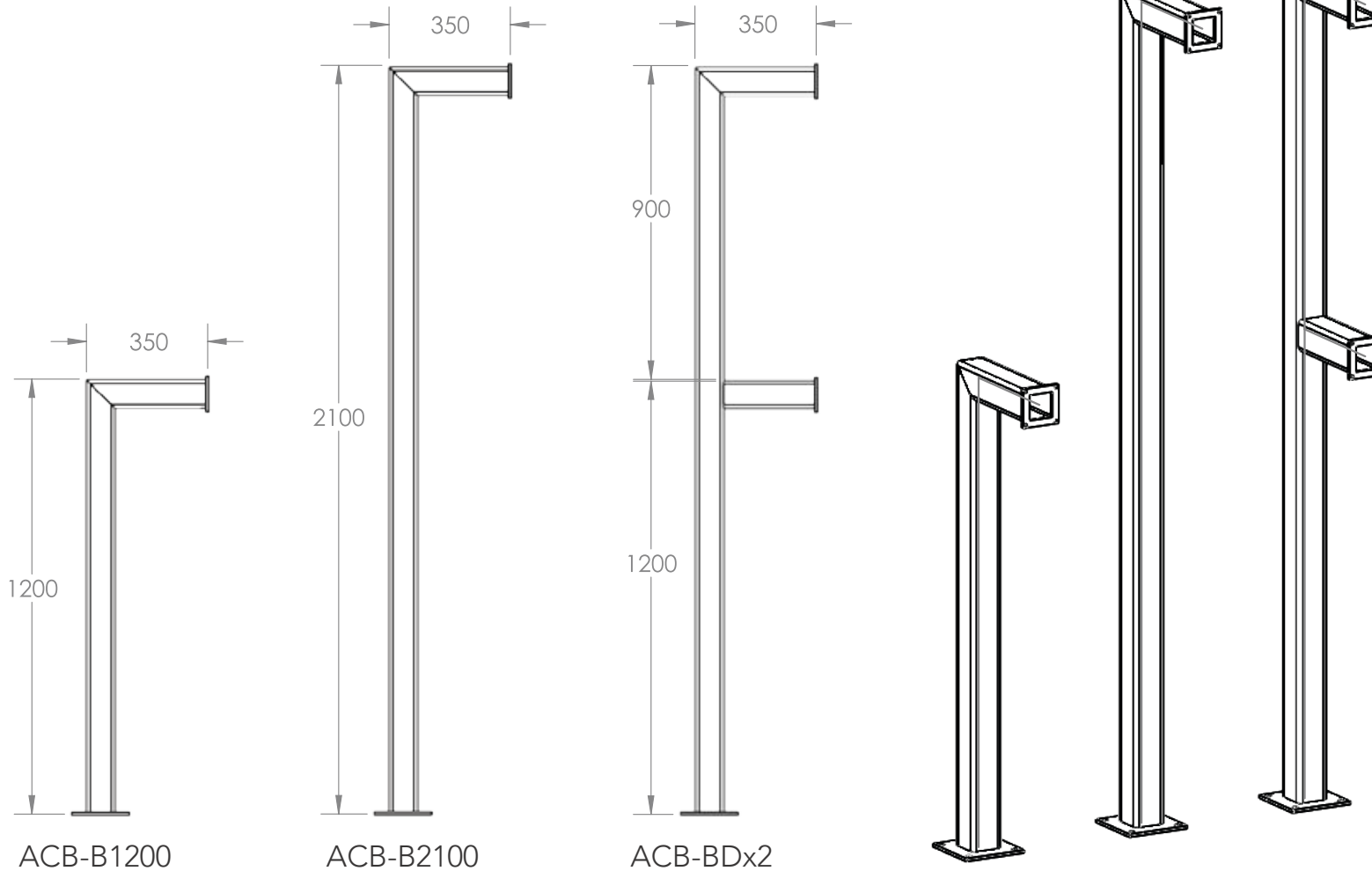
For further information please contact

T 1300 022 222 F 1300 131 111

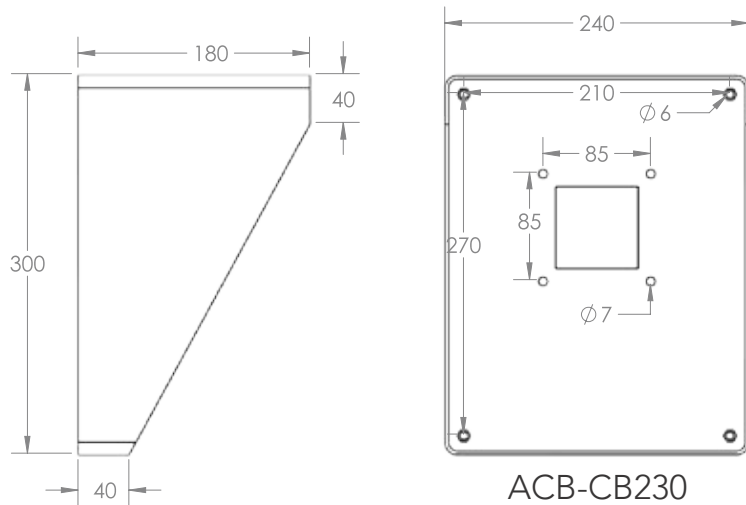
E roadside@rss.net.au W roadsideservices.com.au



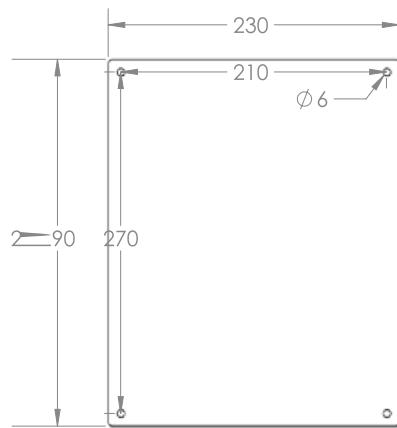
Product specification - bollard base



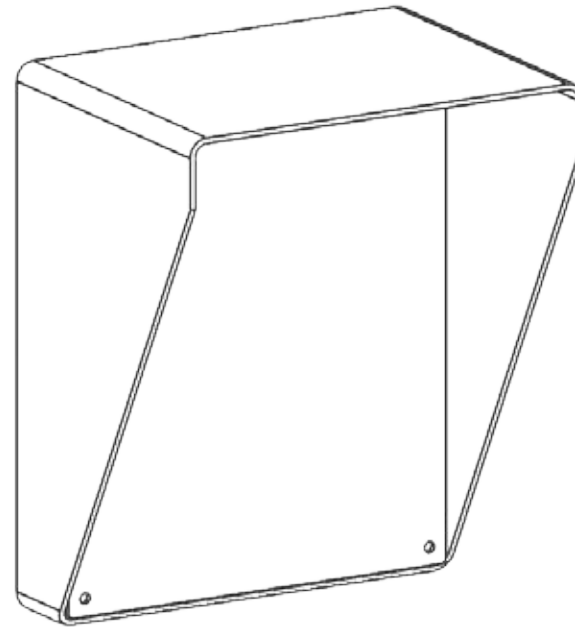
Product specification - control box and face plate



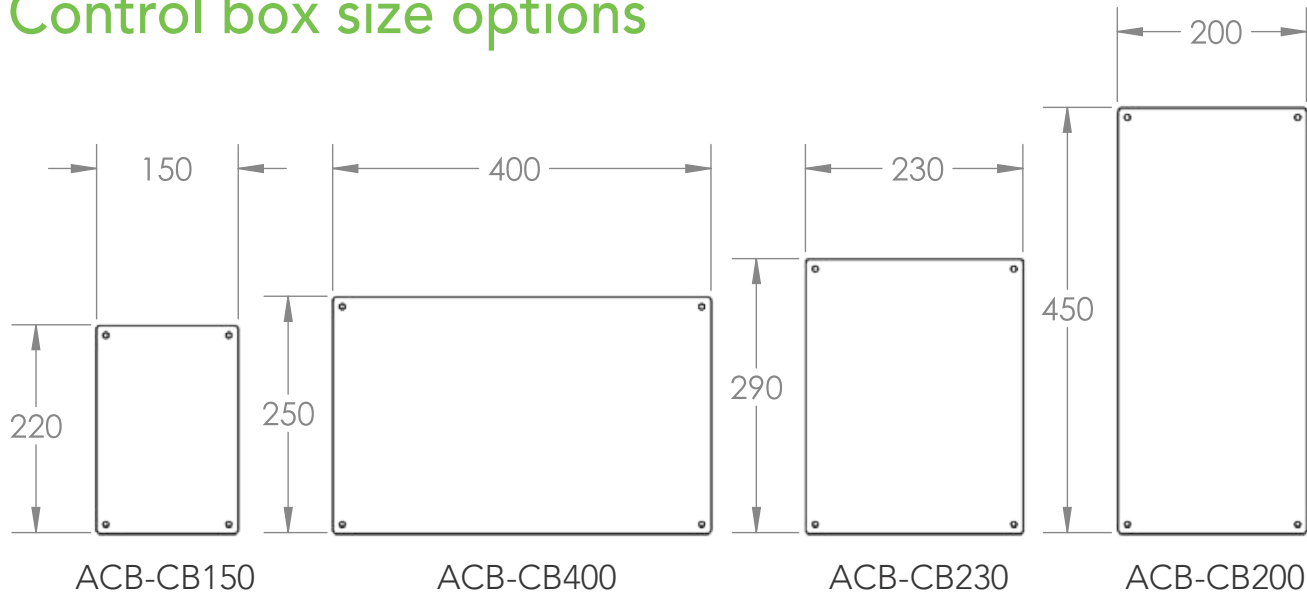
ACB-CB230



ACB-CB230FP

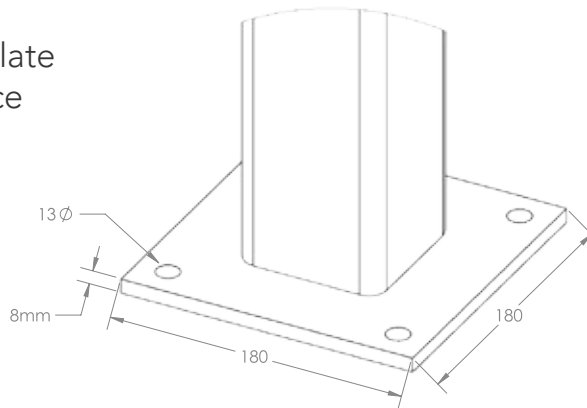


Control box size options



The bollard's base plate is a 180mm square plate with a 13mm diameter hole to allow for surface mounting onto concrete.

The control box junction plate is a 100mm square plate with 6mm diameter holes to allow a 6mm bolt through to fasten the control box to the bollard base.



Parts ordering information

Part number	Description
ACB-B1200	1200mm x 350mm single height access control bollard base (for cars)
ACB-B2100	2100mm x 350mm single height access control bollard base (for trucks)
ACB-BDx2	Dual height access control bollard base. 2100mm and 1200mm heights with 350mm arm lengths
ACB-CB150	150mm (width) x 220mm (height) control box
ACB-CB150FP	3mm thick face plate for ACB-CB150
ACB-CB230	230mm (width) x 290mm (height) control box
ACB-CB230FP	3mm thick face plate for ACB-CB230
ACB-CB200	200mm (width) x 450mm (height) control box
ACB-CB200FP	3mm thick face plate for ACB-CB200
ACB-CB400	400mm (width) x 250mm (height) control box
ACB-CB400FP	3mm thick face plate for ACB-CB400

*All control boxes are supplied with screws for both face plates and junction plate. Face plates available separately.

**Standard bollard bases and control boxes are supplied in safety yellow powder coat finish unless otherwise specified.

Face plates are white in colour.



ROADSIDE
SERVICES AND SOLUTIONS

For further information please contact

T 1300 022 222 F 1300 131 111

E roadside@rss.net.au W roadsideservices.com.au



Knowledgeable advice and quality products

Roadside offers friendly and helpful advice from its team of sign experts in regards to each state's regulations covering the use, installation, erection and placement of signage.

Utilising two state-of-the-art DURST Roll-to-Roll/Flatbed UV Inkjet-Printers we are capable of producing more than 330m of Class 1 and Diamond Grade signs on a daily basis. Roadside has almost 100 fulltime staff and operates an extensive fleet of plant and equipment.

We operate manufacturing facilities in Melbourne, Adelaide and Darwin. These operations are complemented by our representatives in New South Wales, Western Australia, Tasmania and New Zealand.

Creating a safer environment.

QUALITY

Roadside Services and Solutions provides exceptional customer service and supplies consistently high quality products. Our sign manufacturing facilities in Adelaide and Melbourne deploy state-of-the-art technology and our exclusive use of 3M products provides unparalleled quality and reliability. The quality management system at Roadside complies with the requirements of the international standard ISO 9001:2015 and is externally audited by SAI Global.

ENVIRONMENT

Roadside Services and Solutions is committed to responsible environmental management, conservation of natural resources, waste reduction and efficient use of energy in its operations, as well as compliance with relevant legislative provisions.

The environmental management system at Roadside complies with the requirements of international standard ISO 14001:2015.

OH&S

Roadside Services and Solutions is committed to providing a safe, inclusive and effective workplace and ensures this is maintained through an occupational health and safety management system complying with the international standard OHSAS 18001:2007 and which is externally audited by SAI Global.

LOCATIONS

VICTORIA: Factory 2, 841 Mountain Highway, Bayswater, 3153

SOUTH AUSTRALIA: 88 Stanbel Road, Salisbury Plain, 5109

NORTHERN TERRITORY: Shed 1, 4 Aristos Place, Winnellie, 0820

ROADSIDE

SERVICES AND SOLUTIONS



For further information please contact

T 1300 022 222 F 1300 131 111

E roadside@rss.net.au W roadsideservices.com.au

© 2019 Roadside Services and Solutions Pty Ltd