

LED Slim Panel Light

Features :

- Replaces legacy CFL, HID or incandescent down lights.
- UL, ES certified.
- Provides comfortable diffused light with no dark spots.
- Dimmable to 10% with a wide array of dimmers.
- 5 CCT selectable version optional
- High efficiency LM80 SMD LEDs.
- Designed for 50,000 hours lifetime.
- Clips for secure installation onto existing ceilings.
- Pre-wired with poke-in connectors for easy installation.

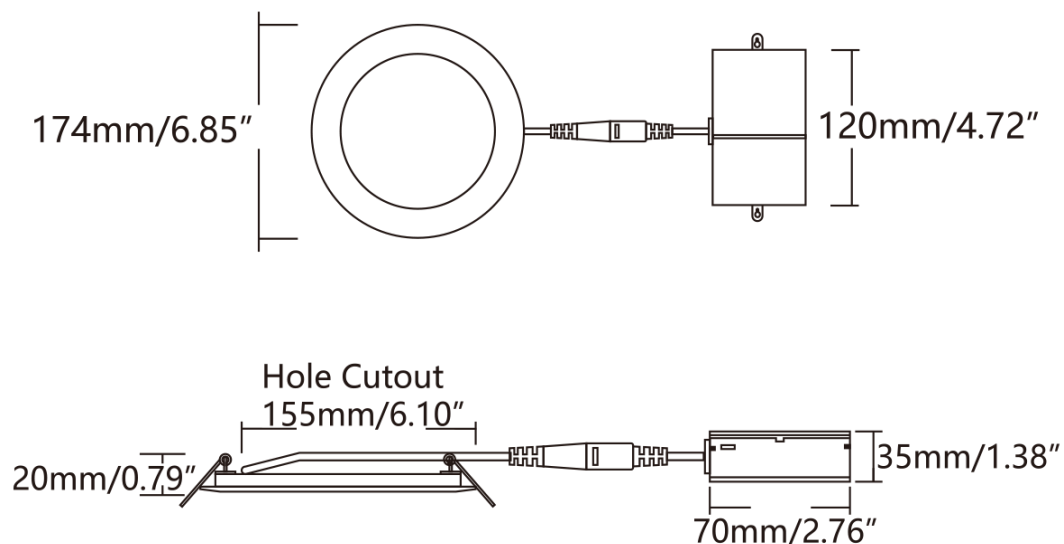


Application:

- ◆ Residential.
- ◆ Property management.
- ◆ Office, Multi-family.
- ◆ Hospitality, Healthcare etc..



Product Dimension:



LED Slim Panel Light

Specifications

LED Slim Panel Light

Model:	SZ-DL15W6-SP (5CCT)
Wattage:	15W
Size:	6 inch
CCT Selectable:	2700K/3000K/3500K/4000K/5000K
CRI:	80
Beam Angle:	120°
Lumens:	>1150LM
PF:	>0.9
Driver:	120V 50/60Hz Triac dimming

Package

Size	Qty/Carton	Gross Weight
43*24.5*38cm	24	12Kg

Installation instructions

