



## LED Flood Light

Model: SZ-FL50WAT1-5000K

### Advantage:

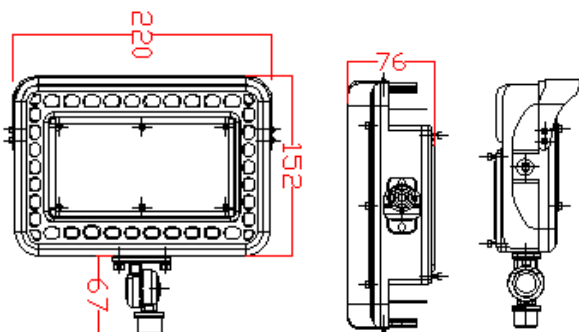
- UL&DLC certificate
- 3030 Chip, high CRI
- Input voltage 100-277VAC
- No UV or IR in the beam
- Easy to install and operate
- Energy saving, long lifespan
- Light is soft and uniform, safe to eyes
- Instant start, NO flickering, NO humming
- Green and eco-friendly without mercury.



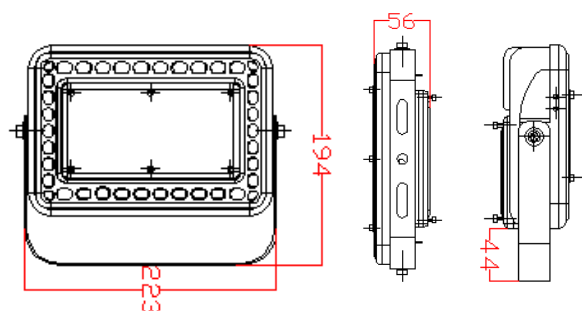
### Application:

Factory floor, libraries, square, park;  
Supermarkets, railway stations;  
Advertising lighting, etc.

#### Tube-shaped bracket



#### U-shaped bracket



## Product Specifications

Product Name	LED Flood Light
Model	SZ-FL50WAT1-5000K

## Technical Characteristic

Color temperature	5000K/5700K
CRI	>70
Lumen	6000-6500LM
Lumen Efficacy	120-130LM/W
Input Power	50W
Viewing Angle	120°
Input Voltage	100-277V 50/60Hz
Driver model	China brand driver
PF	>0.9
Waterproof Rating	IP65

## Materials

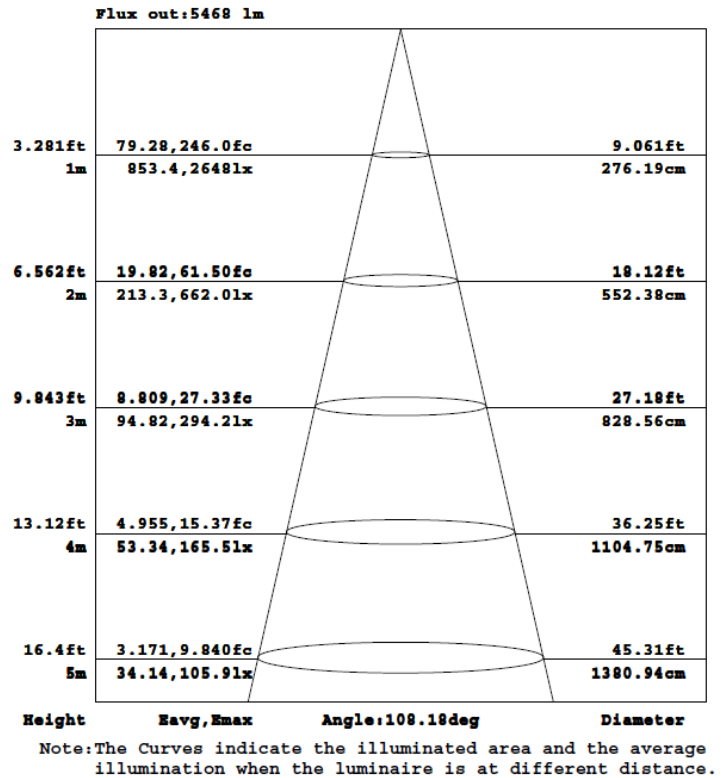
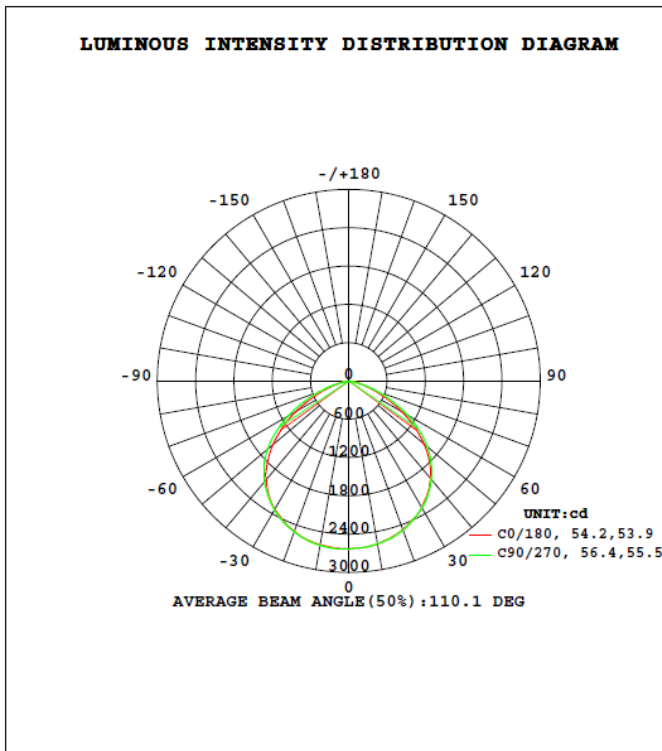
LED Type	3030/1.5W
LED QTY	60PCS
Housing	Aluminum(ADC12) +PC
Housing color	Brown
Bracket	U-Shaped / Tube-Shaped
Operating Temperature	-40°C TO 45°C
Operating Humidity	10%-90% RH
Storage Temperature	-40°C TO 80°C

## Other

Storage Humidity	10%-95%
Application	Outdoor
Safety Certification	UL&DLC
Warranty Time	5 Years

## Light Distribution Testing Parameters

DATA OF LAMP		PHOTOMETRIC DATA			
MODEL		Imax (cd)	2635	S/MH(C0/180)	1.31
NOMINAL POWER (W)	50	LOR (%)	100.0	S/MH(C90/270)	1.31
RATED VOLTAGE (V)	120	TOTAL FLUX (lm)	6978.5	$\eta$ UP, DN(C0-180)	0.1, 49.5
NOMINAL FLUX (lm)	6978.53	CIE CLASS	DIRECT	$\eta$ UP, DN(C180-360)	0.1, 50.4
LAMPS INSIDE	1	$\eta$ up (%)	0.2	CIBSE SHR NOM	1.25
TEST VOLTAGE (V)	120.0	$\eta$ down (%)	99.8	CIBSE SHR MAX	1.35



## Package

Model	Net Weight	Size	Qty/Carton	Weight/Carton
SZ-FL50WAT1-5000K Tube-Shaped	24.2KG	490*460*370mm	16	26.4KG
SZ-FL50WAT1-5000K U-Shaped	24.5KG	525*420*330mm	16	26.9KG



16PCS

