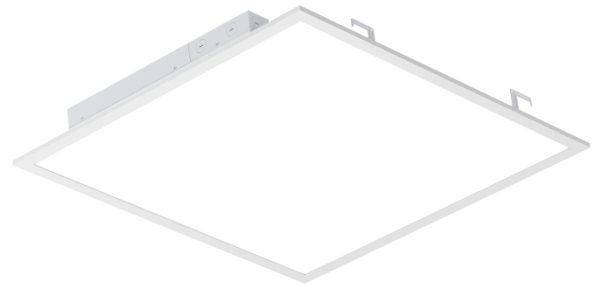


Features :

- Input Voltage:100-277VAC 50/60Hz.
- UL, DLC certified.
- 120-130 lm/W high lumen efficacy, 80+ CRI.
- 0-10V Dimmable LED driver.
Power Adjustable: 40W/30W/20W.
CCT Adjustable: 4000K/5000K/6000K
- High efficiency LM80 SMD LEDs.
- Designed for 50,000 hours lifetime.
- Instant startup, soft light, no glare, no noise.
- Easy for installation.

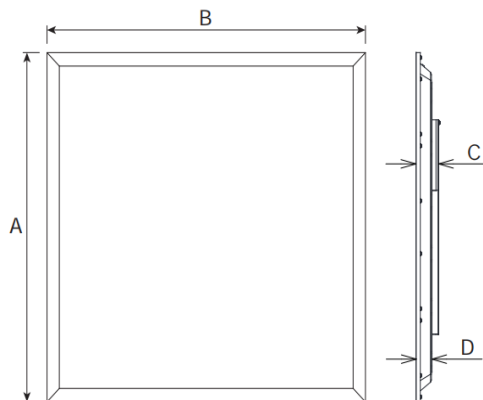


Application:

- ◆ Factory, offices .
- ◆ Living room, clubs, lobbies.
- ◆ Supermarkets, school, hotel.
- ◆ Exhibitions, etc..



Product Dimension:



Dimension (mm)			
A	B	C	D

603	603	42	32
-----	-----	----	----

Specifications

LED Backlit Panel

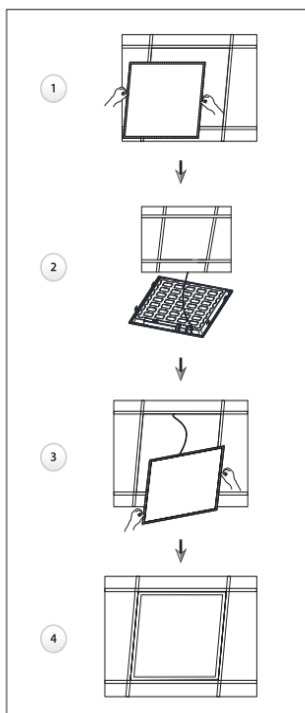
Model:	KIPA605N603605 (BL)
Wattage:	40W/30W/20W
CCT:	4000K/5000K/6000K
Input Voltage:	100-277VAC 50/60hz
Power Factor:	>0.9
Efficacy:	125LM/W
CRI:	>80
THD:	<20
Dimmable:	Yes
Dimensions:	2*2FT 603*603mm
Lifespan:	>50,000hours
Beam Angle:	120°
Operating Temperature:	-20°C to 50°C
IP Grade:	IP20
Certification:	UL DLC

Package

Size	Qty/Carton	Gross Weight	Net Weight
63*25*63cm	6	11.5Kg	10.2Kg

Installation instructions

Recessed



Suspended

