


## 6 SERIES

<http://tiny.cc/6seriesEN>



TIPPING LOAD  
**1200**  
kg




ENGINE POWER  
**25**  
hp



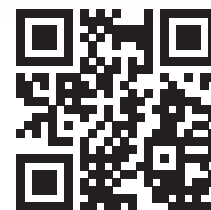
SPEED  
**12,5\***  
km/h



FLOW RATE  
**50**  
l/min




LIFT HEIGHT  
**2,92**  
m



(\*) 6.35 K

**NEW**

-  **BIG BLOCK ENGINE**
-  **HIGH TORQUE**
-  **HIGH OIL FLOW**
-  **LOW EMISSION**
-  **LOW NOISES**

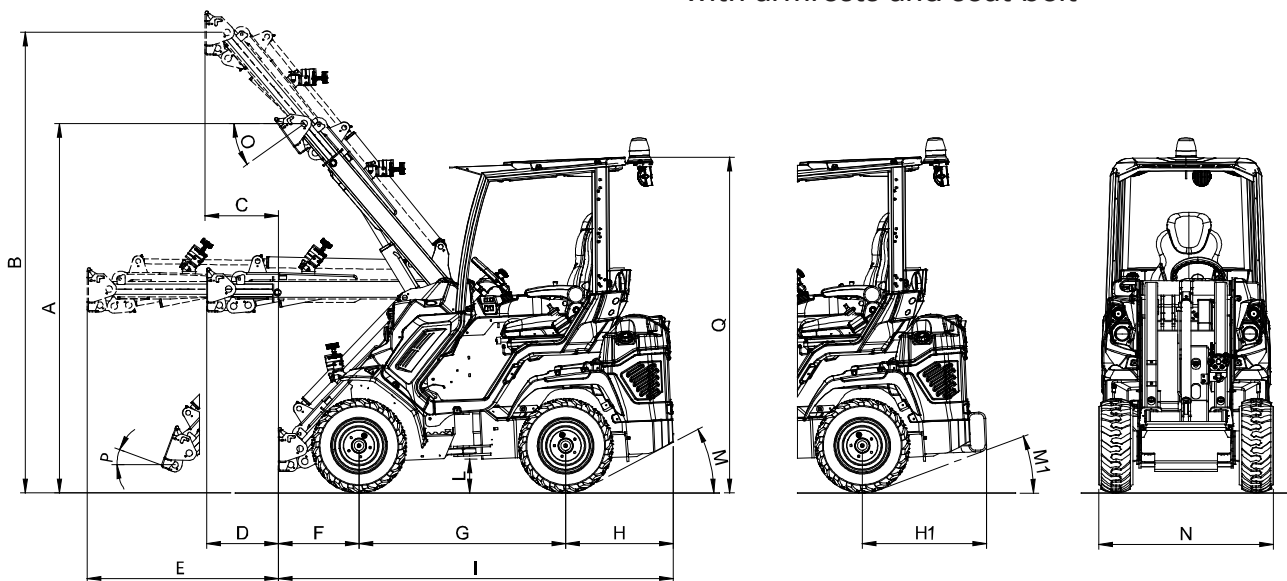


Model	6.3+ K	6.35 K
Engine	Kubota D1305, 3 cyl. - 1261 cc.	
Power (Iso Gross) / Torque	25 HP / 85 Nm @ 1700 rpm	
Fuel	Diesel	
Transmission	Hydrostatic	
Drive speed (max.) (1)	9 km/h (5.6 mph)	12,5 km/h (7.7 mph)
Aux. hydraulics oil flow	50 l/min (13.2 GPM)	
Max. lifting height	2,92 m (115 in)	
Tipping load, max (2)	1200 kg (2646 lbs)	
Lifting capacity straight (3)	960 kg (2116 lbs)	
Lifting capacity fully articulated (4)	780 kg (1720 lbs)	
Breakout force / 50 cm	1400 kg (3086 lbs)	
Pushing force (c)	1690 kgf (1690 kp)	1160 kgf (1160 kp)
Specific ground pressure (w/standard tires)	1044 kg/m <sup>2</sup> (214 lbs/sqft)	
Turning radius: inside/outside	905/2020 mm (35.6/79.5 in)	
Standard tires (Tractor profile)	23X8.50-12	
Weight	1430 kg (3153 lbs)	
Product Code	C961015	C961020

(1) Maximum speed that can be achieved with the largest diameter tires available, on a flat surface and machine without attachments. (2) Maximum load that can be lifted just off the ground when the machine is straight, with rear weights and boom not extended. Weight of attachment included. (3) Machine straight, with rear weights and boom not extended. Weight of attachment is included. (80% of tipping load). (4) Machine fully articulated, with rear weights and boom not extended. Weight of attachment is included.

## 6 SERIES - FEATURES

- Kubota D1305 (25 HP), big block, 3 cyl. diesel engine, water cooled, electric start, glow plug
- Compliant with STAGE V and TIER 4 FINAL emission standards
- Hi-Flow system
- DBS (Dynamic Block System)
- Multi-functions joystick
- Multi-disk parking brake
- Hydraulic oil cooler
- Hydraulic multiconnector
- Self-levelling double-H telescopic boom
- Radial Piston high efficiency and heavy duty wheel motors
- 4WD hydrostatic Direct Drive motors, proportional servo control
- ROPS-FOPS Level I
- LCD graphic display with programmed service (tachometer, hour meter, fuel gauge, maintenance light, light indicator and other 14 indicators)
- 2 front working light
- Ergonomic full adjustable suspension seat with armrests and seat belt



### DIMENSIONS (mm / in)

<b>A</b> - Pivot point height (not extended boom)	2290 / 90.1	<b>I</b> - Machine length	2445 / 96.3
<b>B</b> - Pivot point height (extended boom)	2920 / 115	<b>L</b> - Ground clearance	210 / 8.3
<b>C</b> - Outreach with lifted boom (extended)	455 / 17.9	<b>M</b> - Angle of departure	28°
<b>D</b> - Outreach with orizontal boom (not extended)	445 / 17.5	<b>M1</b> - Angle of departure (with rear weights)	24°
<b>E</b> - Outreach with orizontal boom (extended)	1185 / 46.6	<b>N</b> - Max width (with standard tires)	1070 / 42
<b>F</b> - Front length	500 / 19.7	<b>O</b> - Dump angle	36°
<b>G</b> - Wheelbase	1280 / 50.4	<b>P</b> - Rollback angle	29°
<b>H</b> - Rear length	665 / 26.2	<b>Q</b> - Height (with standard tires)	2020 / 79.5
<b>H1</b> - Rear length with rear weights	770 / 30.3		

Tires size	Width (N)	Height (Q)
23X8.50-12	1070 mm (42 in)	2020 mm (79.5 in)
23X10.50-12 ET-25	1130 mm (44.5 in)	2020 mm (79.5 in)
26X12.00-12 ET-50	1300 mm (51.2 in)	2040 mm (80.3 in)
27X8.50-15	1070 mm (42 in)	2080 mm (81.9 in)
27X10.50-15	1150 mm (45.3 in)	2080 mm (81.9 in)

## 6 SERIES - OPTIONS

Options	Code
110 V engine block heater	C885255
220 V engine block heater	C885250
3 additional working halogen light	C883064
3 additional working LED light	C883018
Additional front hydraulic outlets	C883024
Attachment coupling plate for rear mounting	C880031
Automatic locking plate	C883038
Backup warning beeper	C883021
Beacon light	C883039
Biodegradable oil	C883007
Driver area cover	C880049
Flat face coupling kit	C880221
Floating boom valve	C883011
Fully enclosed cab with sound insulation linen and mirrors	C883001
Heating system	C883002
High comfort heated seat	C883006
Left protection bar for operator	C883020
Plexiglass back window (smart cabin)	C883035
Plexiglass right side (smart cabin)	C883034
Plexiglass windscreen (smart cabin)	C883000
Rear 12V electric socket	C883022
Rear bull bar	C883047
Rear hydraulic outlets - double	C883014
Rear hydraulic outlets - single	C883013
Rear weights 180 kg (90 kg + 90 kg) / 396 lbs (198lbs + 198 lbs)	C880054
Skid tires 27x10.50-15, set of 4	C884012
Skid tires 27x8.50-15, set of 4	C884011
Snow chains for wheel	see page 69
Tie down bracket on wheel hub, set of 4	C883065

## 6 SERIES - OPTIONS

Options	Code
Torque divider	C883600
Tractor tires 23x10.50-12 ET-25, set of 4	C884007
Tractor tires 26x12.00-12 ET-50, set of 4	C884009
Trailer coupling	C885014
Turf tires 23x10.50-12 ET-25, set of 4	C884008
Turf tires 23x8.50-12, set of 4	C884006
Turf tires 26x12.00-12 ET-50, set of 4	C884010
Warning & Safety lights for road travel (with mirrors)	C883009
Wheel spacer 10 mm (0.4 in), set of 4 (max. 1 pcs for wheel)	C880090
Wheel spacer 55 mm (2.2 in), set of 4	C885010