



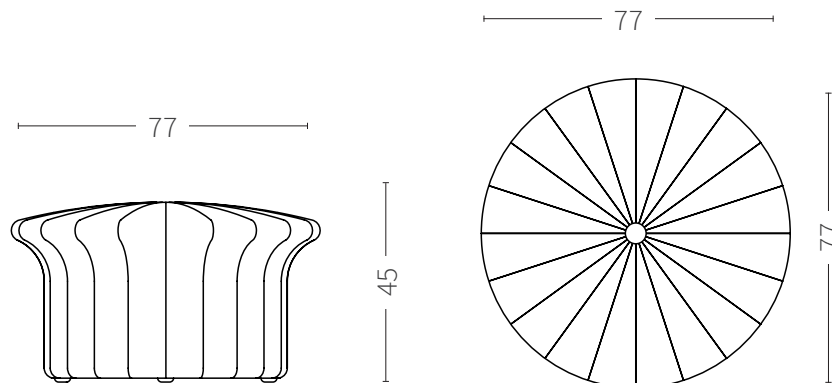
WARM
NORDIC

Grace

A pouffe in a sophisticated, inviting idiom, created by the Danish designer, Rikke Frost, in 2017. Rikke Frost drew her inspiration for the Grace pouffe from the fascinating decadence of the 1920s. Its elegant design makes Grace an ideal extra seat in the living room, while it will lend a touch of pure luxury to a bedroom as somewhere to lay your clothes on. The classic design universe is enhanced by stitch details.

Choose from several different exclusive fabrics.

Product name: Grace
Designer: Rikke Frost
Design year: 2017
Furniture type: Pouf
Launched: 2018



KEY FACTS

- Classic timeless design
- Exclusive, high quality upholstery fabrics
- Inspired by the decadence of the 1920s
- Available in several colours
- The variation of colours makes it possible to design either a classic, minimalistic pouf or an eyecatcher with colour and velvet

MATERIAL

Material frame: Foam, textile
Material frame: Solid wood

DIMENSIONS

Diameter: 77 cm
Height: 44 cm
Weight: 15,5 kg

PACKAGING

Amount of packages: 1

Box dimensions: L72 x W72 x H46 cm – 0,238 m³

Box weight: 15,5 kg

Box in recycled cardboard or FSC-certified cardboard
Plastic used to protect against dust and humidity
All packaging material can be recycled

ENVIRONMENT

Parts can be separated and sorted for recycling.
Most fabrics are available with EU Eco flower mark, Greenguard mark.
Oeko-Tex, standard 100, Class I certified foam.
Available with fire retardant foam according to California Bulletin 117.
Available with CMHR foam according to BS 5852, crib 5 upon request.
Formaldehyde emissions according to TSCA.