



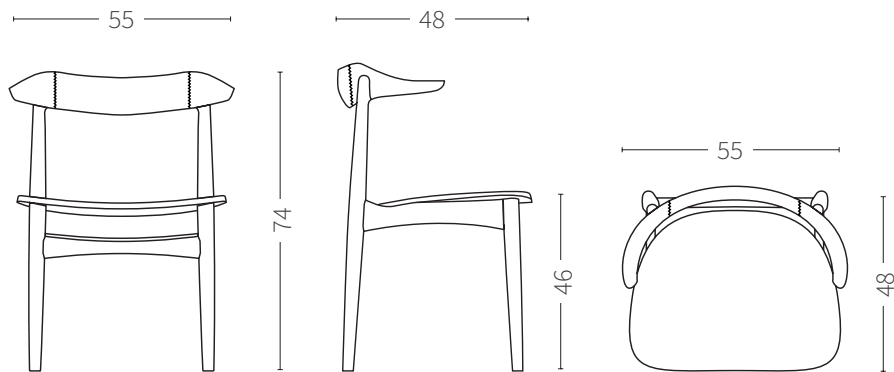
WARM
NORDIC

Cow Horn Chair

The iconic Cow Horn Chair was originally designed in 1969 by the Danish furniture designer, Knud Færch. The Cow Horn Chair is also known as 'Model 521', and is one of the archetypal designs of Danish Modernism. The Cow Horn Chair is remarkable for its masterly craftsmanship and unique comfort, and an iconic design, which reflects the idiom of the era. In the Cow Horn Chair, Knud Færch's lifelong love of wood and understanding of craftsmanship are manifested in a timeless design, which is rooted in the nature of wood. The furniture designer was especially intrigued by the idea of a chair as a sculptural element.

True to the design spirit of the 1960s, the dining chair is available in solid walnut, oak or a connoisseur version in mixed woods.

Product name: Cow Horn Chair
Designer: Knud Færch
Design year: 1969
Furniture type: Dining Chair
Launched: 2018



KEY FACTS

- Classic timeless design with a sculptural element
- Archetypal design of Danish Modernism
- Comfortable seating
- Suitable for contract use
- Solid wood
- High quality wood and fabric/leather
- Finger joints in the top rail
- Available in single wood or mixed woods

MATERIAL

Material frame: Solid wood
Material seat: Moulded plywood with veneer.
Material back: Solid wood
Finishes: White oiled oak, oiled walnut
Upholstery types: Seat upholstery

WOOD FINISH



Oiled walnut



White oiled oak



Oiled walnut /
White oiled oak

DIMENSIONS

Length/width: 55 cm
Depth: 48 cm
Height: 46/74 cm
Weight: 7,5 kg
Max load: 110 kg

PACKAGING

Amount of packages: 1

Box dimensions L58 x W51 x H76 cm – 0,225 m³

Box weight: 8 kg

ENVIRONMENT

Parts can be separated and sorted for recycling.
Most fabrics are available with EU Eco flower mark,
Greenguard mark.

Formaldehyde emissions according to TSCA.

All packaging material can be recycled.

TEST

Cow Horn Chair fulfills the requirements in EN 1022:2005 and EN 16139:2013 L1.