



## Straight Up

**No. 1442-005 OTTOMAN**

W 45 D 42 H 18 in.

**No. 1442-100 ARMLESS CHAIR**

W 36 D 42 H 27 in.

Seat depth 22 in.

Seat height 18 in.

**No. 1442-210 ARMLESS CURVED SOFA**

W 105 D 42 H 27 in.

Seat depth 22 in.

Seat height 18 in.

Height to top of back cushion 34 inches approximately.  
Throw pillows optional. Must specify.

**No. 1442-214 RAF CURVED SOFA**

W 109 D 42 H 27 in.

Seat depth 22 in.

Seat height 18 in.

Arm height 27 in.

Arm width 7 in.



## Straight Up

**No. 1442-005 OTTOMAN**

W 45 D 42 H 18 in.

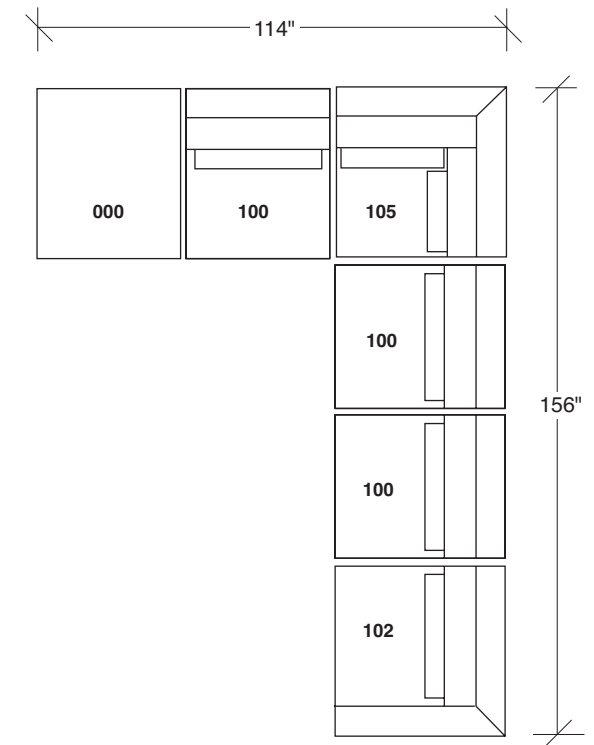
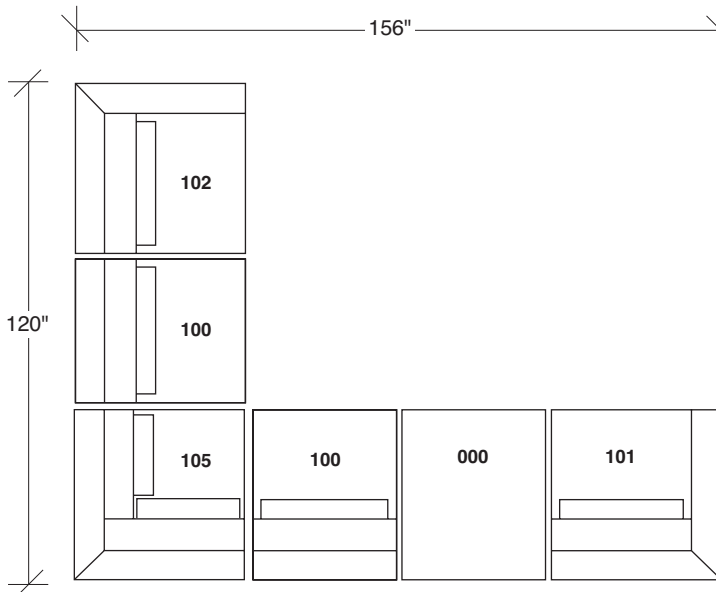
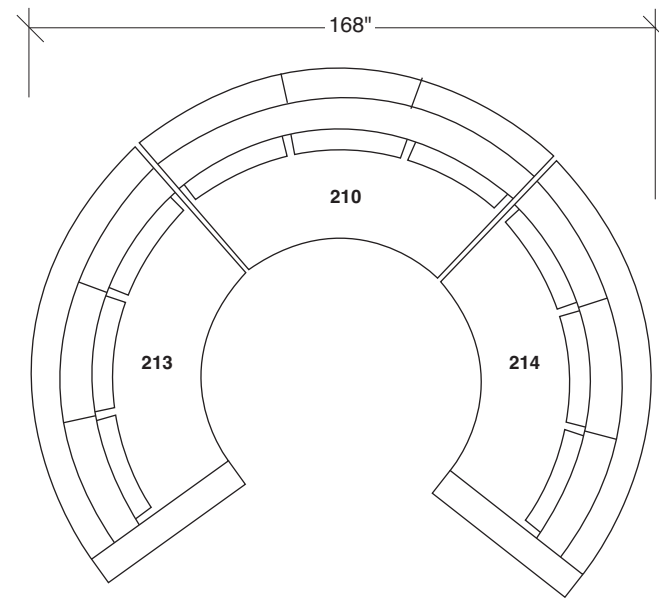
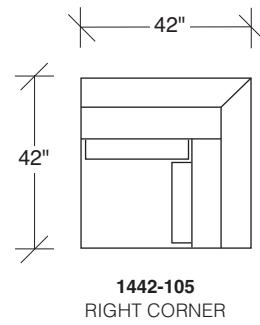
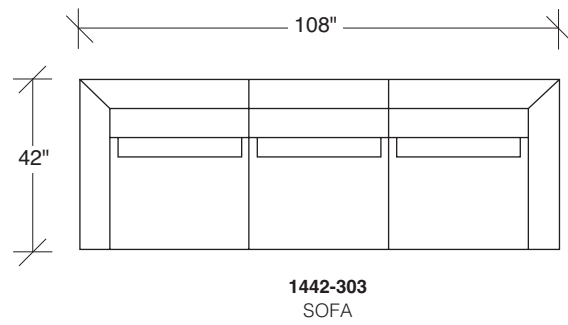
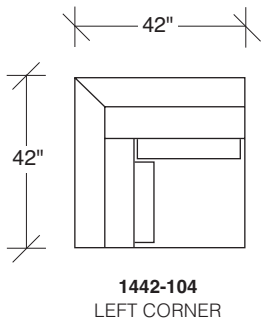
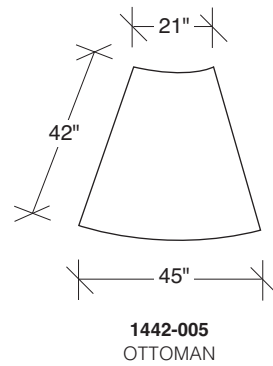
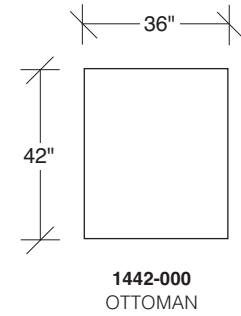
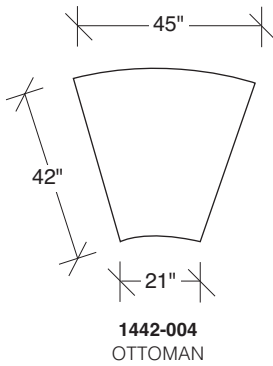
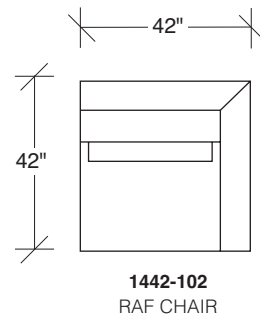
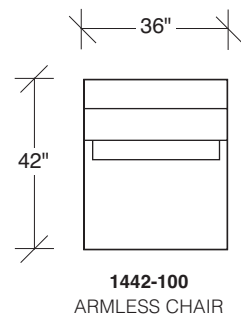
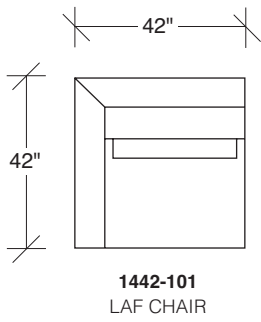
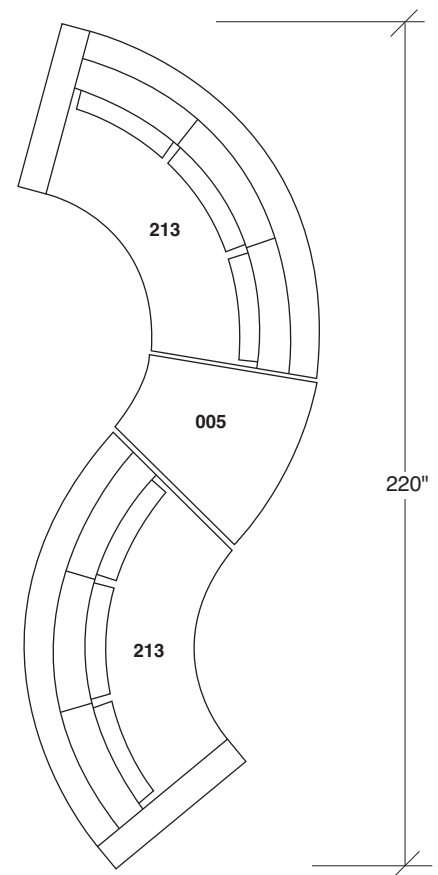
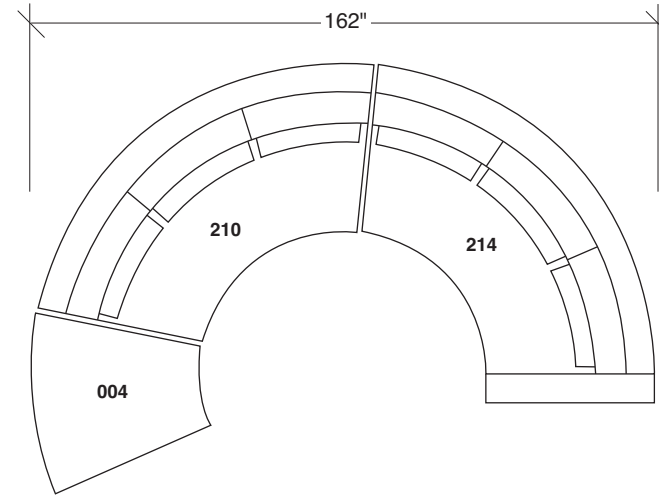
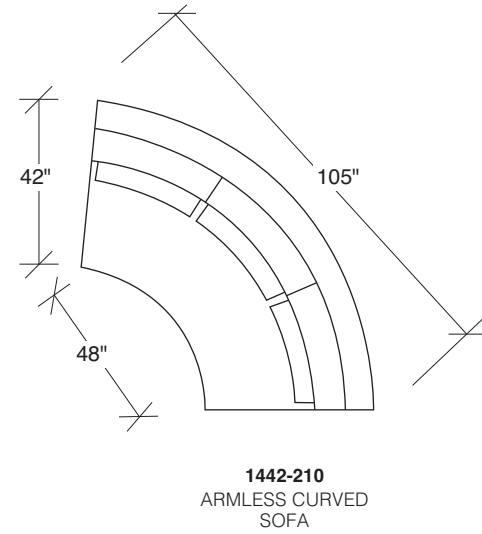
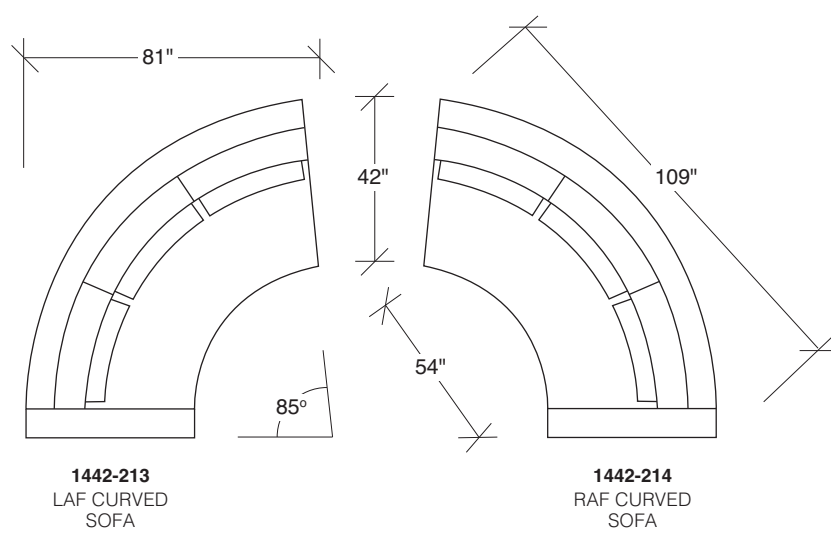
**No. 1442-210 ARMLESS CURVED SOFA (shown twice)**

W 105 D 42 H 27 in.

Seat depth 22 in.

Seat height 18 in.

Height to top of back cushion 34 inches approximately.  
Throw pillows optional. Must specify.



**Straight Up  
1442 - Series**

Scale 1/4" = 1'0"  
All upholstery sizes are approximate

**Note:** Measurements are for frame only  
the thickness of upholstery can add inches to a larger sectional