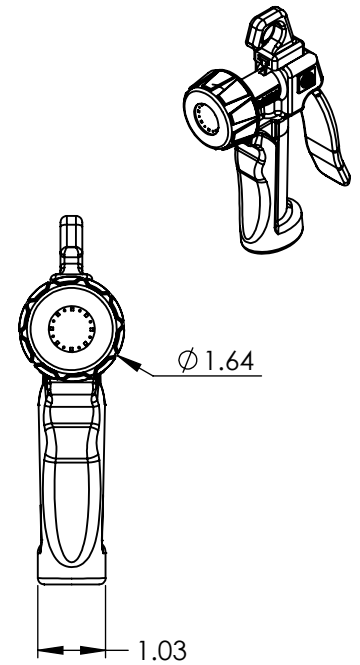
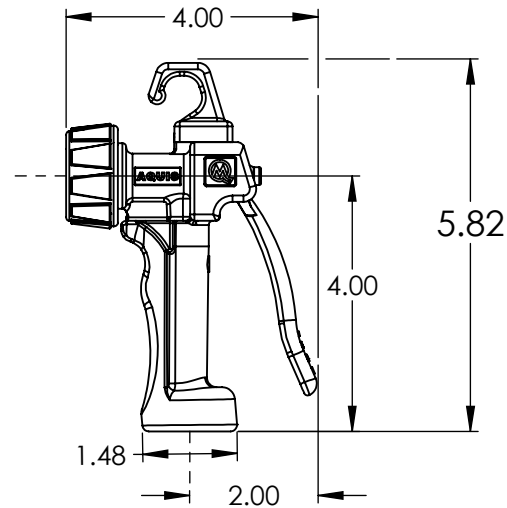
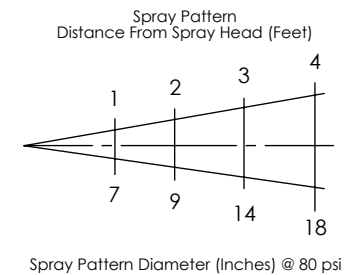


Optional Outlet Configurations  
 Standard model shown with Spray Head  
 -1 Nitrogen Cap & Filter Head  
 -2 Dispensing Head

Inlet Connection Options  
 1/4" Female NPT  
 3/8" Female NPT  
 3/8" Flare  
 16mm Fusion Socket



ITEM NO.	Description	Part Number	QTY.
1	ASG Body	SG-100-3	1
2	ASG Handle	SG-101-3	1
4	ASG Cap	SG-103-3	1
5	ASG Retainer	SG-102-3	1
6	ASG Spring	SG-104-5	1
7	ASG Diaphragm / Poppet	SG-105-4	1
8	ASG Piston	SG-106-3	1
10	ASG Handle Lock Ring	SG-107-3	1
11	ASG Hook	SG-108-3	1
12	ASG Spray Insert	SG-109-3	1
13	ASG Nitrogen Cap	SG-110-3	1
14	ASG Nitrogen Filter	SG-111-3	1
15	ASG Dispensing Head	SG-112-3	1



Designer		TITLE: <b>AQUIS Spray Gun</b>
Review		
Engineer		
		DWG. NO. <b>ASG</b>
UNLESS OTHERWISE SPECIFIED DIMENSIONS ARE IN INCHES		SCALE: N/A
2950 Airway Avenue, Costa Mesa, CA 92626		Format: SD
		SHEET 1 OF 1