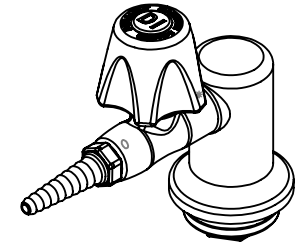
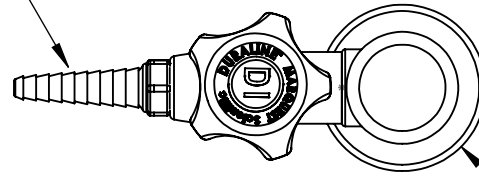
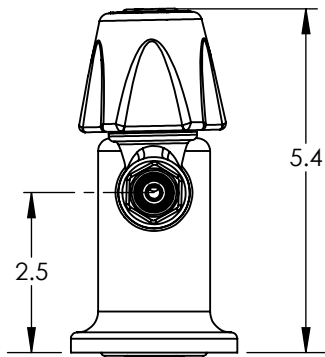


Removable Barb Tip  
Leaves 1/4" Female NPT



Ø2.6

Duraline Control Valve



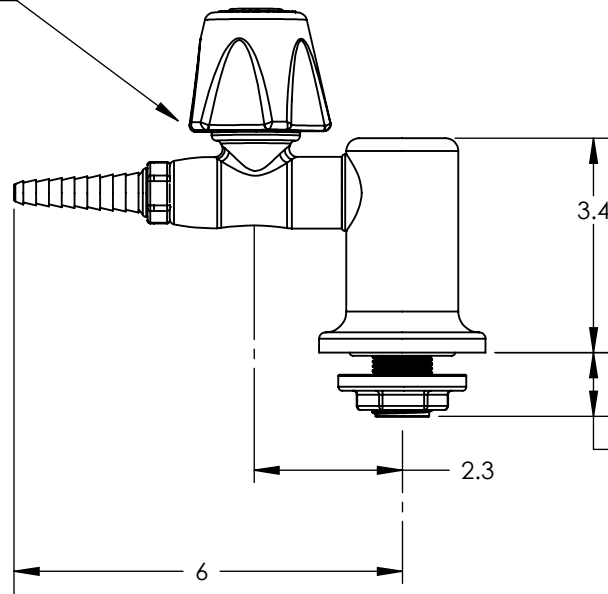
2.5

5.4

Casual Water Seal

Requires 1" Diameter  
Hole for Mounting

3/8" Female NPT  
Inlet Connection




3.4

1.0

2.3

6

Designer			<b>TITLE:</b> Lab Turret Fixture, Deck or Wall Mount, 1" Nipple Length, Duraline Control Valve, Handle on Top,			
Review						
Engineer						
 <b>MARQUEST SCIENTIFIC</b> Fluid Handling Products			DWG. NO. LT-V1IN-T(1) = PVC (2) = Nat. Polypro (3) = Nat. PVDF	REV		
UNLESS OTHERWISE SPECIFIED DIMENSIONS ARE IN INCHES			2950 Airway Avenue, Costa Mesa, CA 92626	SCALE: N/A	Format: SD	SHEET 1 OF 1

5

4

3

2

1