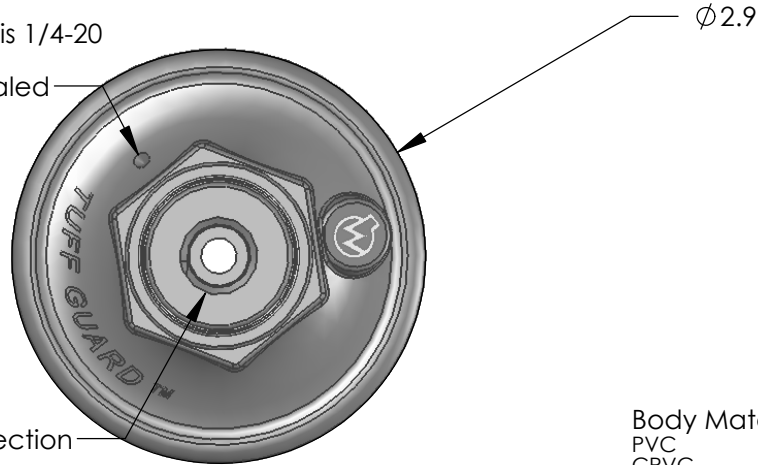
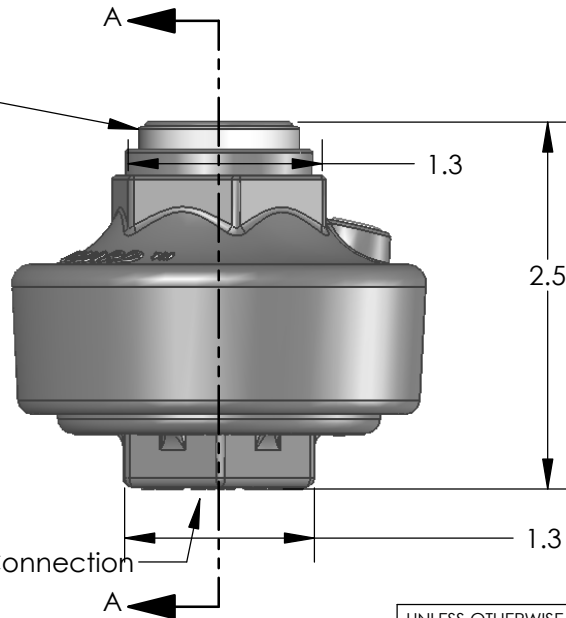


Provision for Fill / Bleed Port  
 When Ordered, Standard Thread is 1/4-20  
 Or Customer Specified.  
 Comes With SS Hex Set Screw, Sealed



1/4" Female NPT Instrument Connection

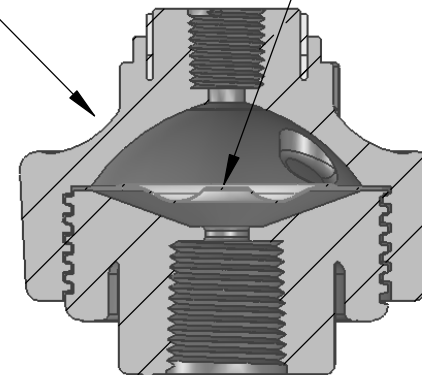
Integrally Molded Stainless Steel  
 Thread Reinforcement Ring



1/4" or 1/2" Female NPT Process Connection

Body Material Options  
 PVC  
 CPVC  
 PP, Reinforced  
 PVDF

Diaphragm Options  
 PTFE, Teflon  
 Viton  
 EPDM



SECTION A-A  
 SCALE 0.75 : 1

UNLESS OTHERWISE SPECIFIED:

DIMENSIONS ARE IN INCHES  
 TOLERANCES:  
 FRACTIONAL ±  
 ANGULAR: MACH ± BEND ±  
 TWO PLACE DECIMAL ±  
 THREE PLACE DECIMAL ±

**PROPRIETARY AND CONFIDENTIAL**

THE INFORMATION CONTAINED IN THIS  
 DRAWING IS THE SOLE PROPERTY OF  
 MARQUEST SCIENTIFIC, INC.. ANY  
 REPRODUCTION IN PART OR AS A WHOLE  
 WITHOUT THE WRITTEN PERMISSION OF  
 MARQUEST SCIENTIFIC, INC. IS  
 PROHIBITED.

INTERPRET GEOMETRIC  
 TOLERANCING PER:

MATERIAL

FINISH

DO NOT SCALE DRAWING

NAME

DATE

DRAWN

CHECKED

ENG APPR.

MFG APPR.

Q.A.

COMMENTS:

Marquest Scientific, Inc.  
 2950 Airway Avenue Bldg. C5, Costa Mesa, CA 92626

TITLE:

**TUFF GUARD**  
 Gauge/ Instrument Isolator

SIZE  
**A**

DWG. NO.  
 TG-SALES

REV  
 A

SCALE: 1:1

WEIGHT: