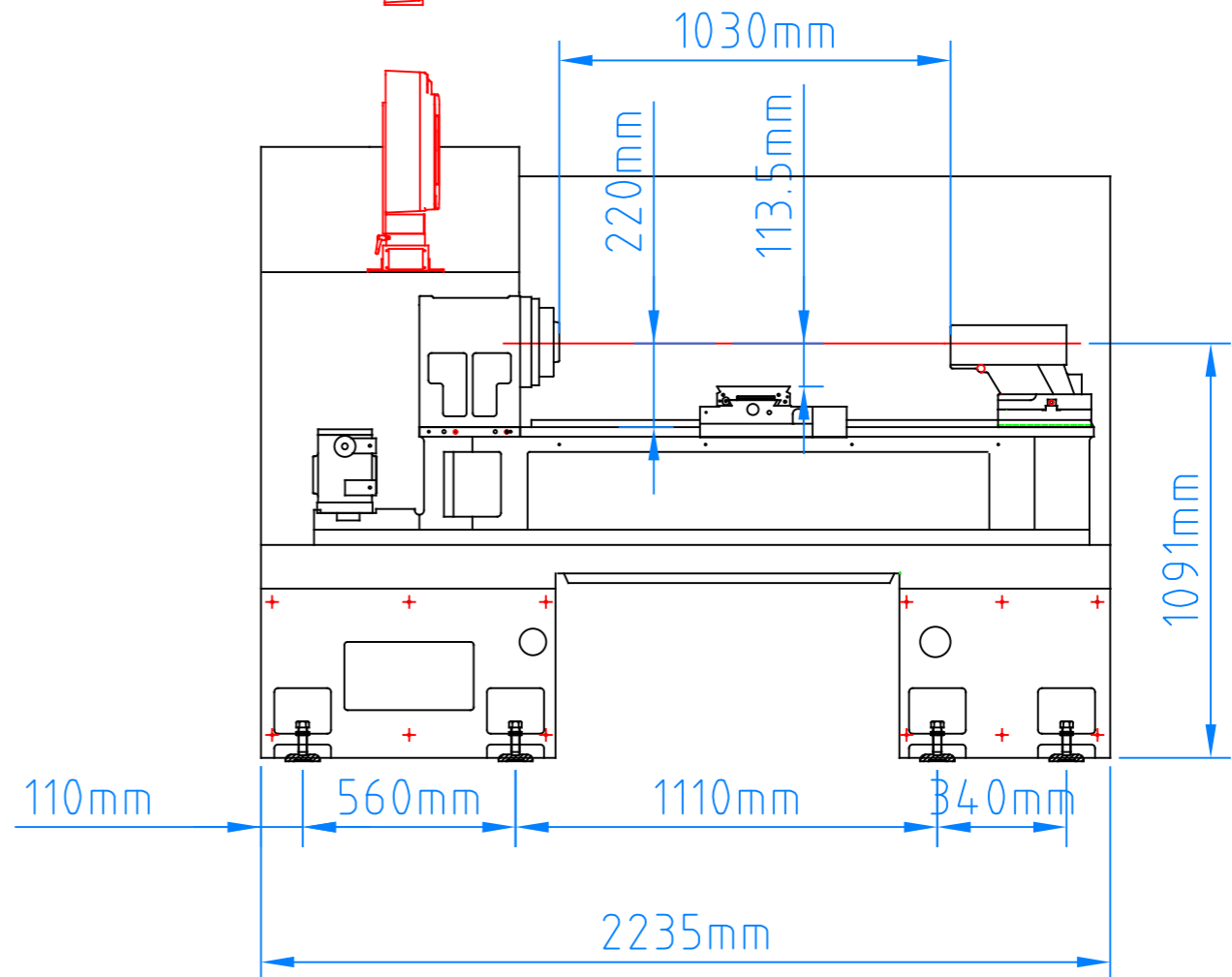
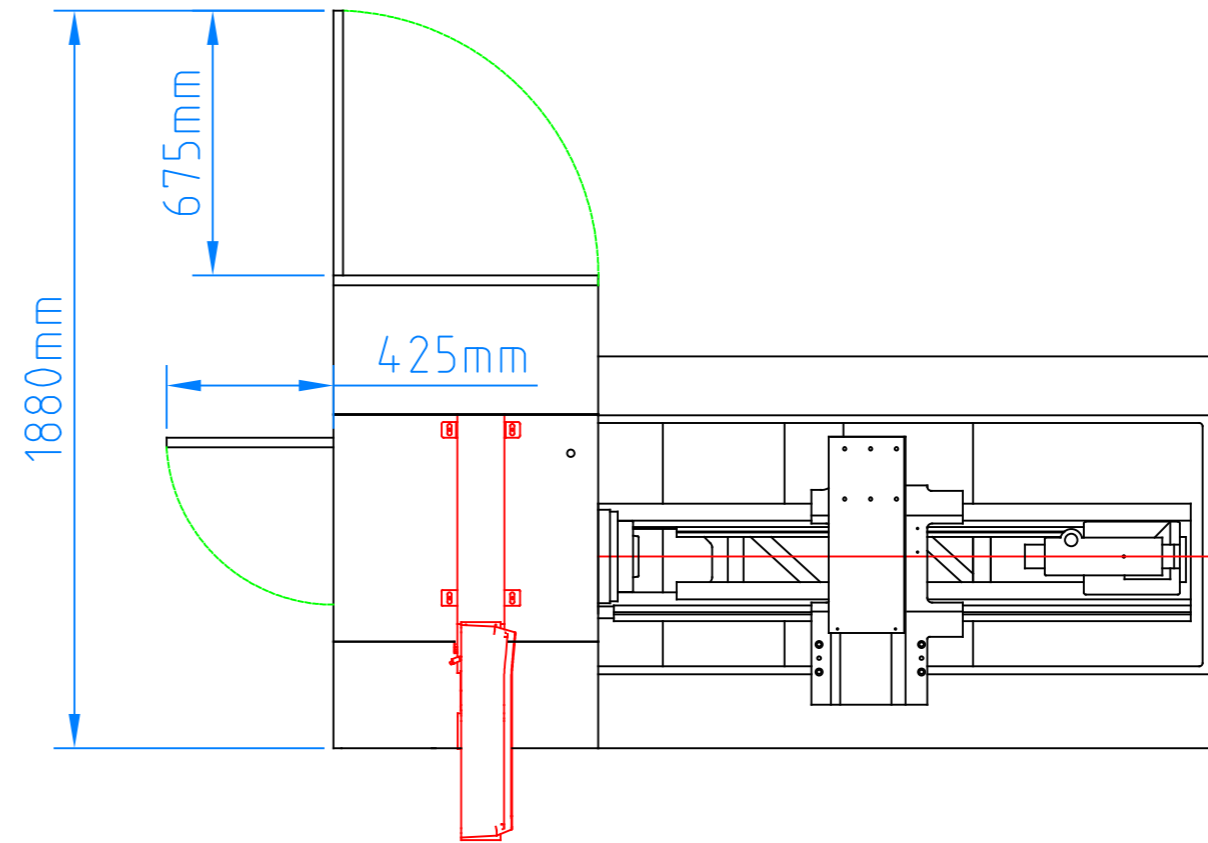
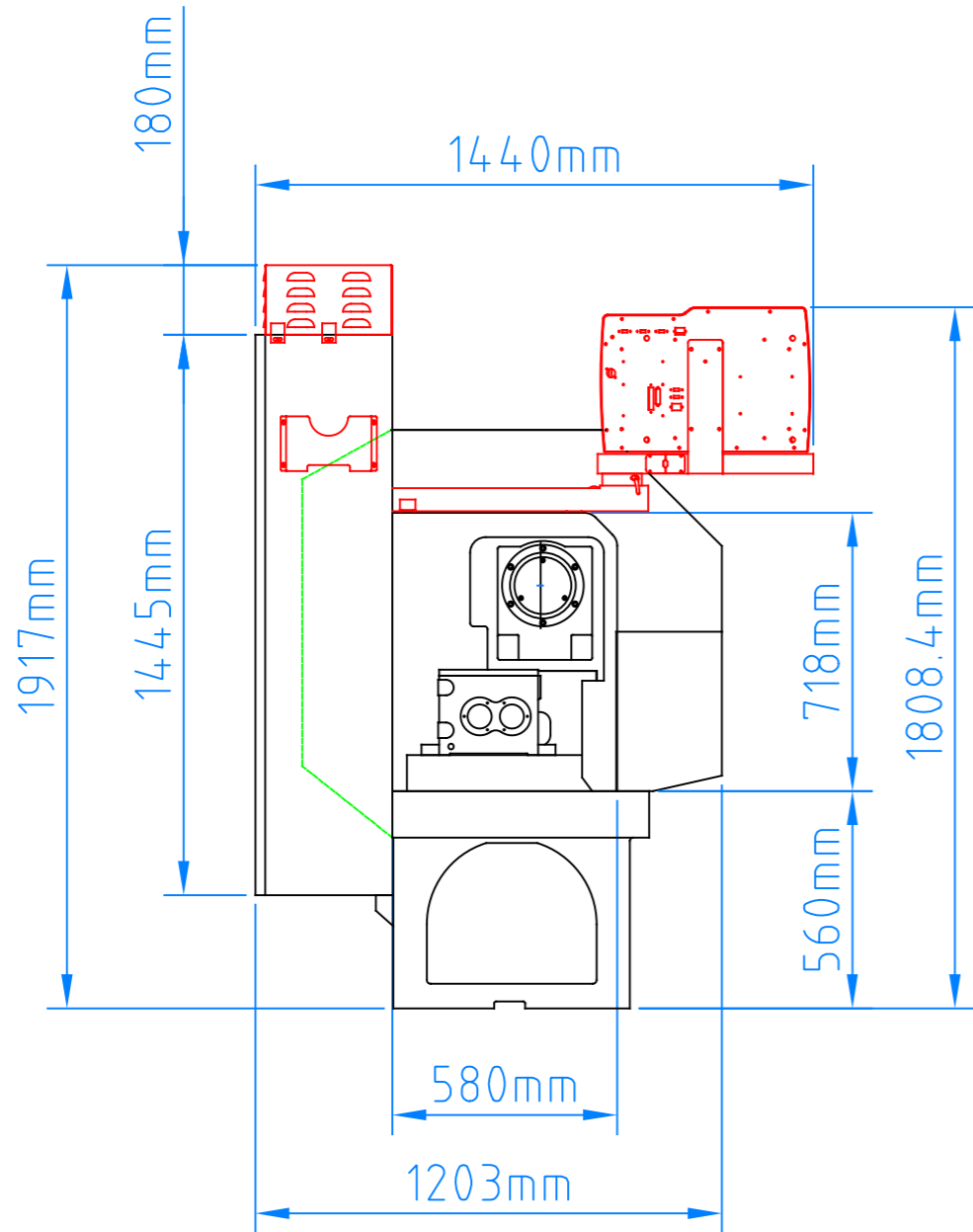




PLEASE NOTE: ALLOW 500MM ACCESS AROUND M/C FOR SAFETY/MAINTENANCE



ISSUE DATE: 24-07-2019
VERSION NO: 1

MODIFIED BY: M.HIGSON
MODIFIED DATE: 24-07-2019

MACHINE MODEL: XYZ RLX 355

DRAWING No: MDD-16832-01

