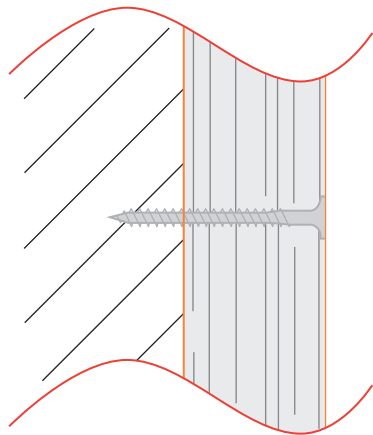




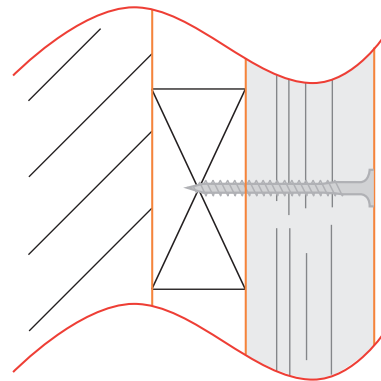
**CARDINAL**  
**ACOUSTICS**

AN ACOUSTICAL WOOD FIBER COMPANY

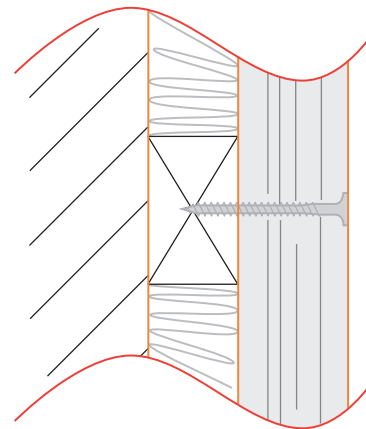
**MOUNTING A**



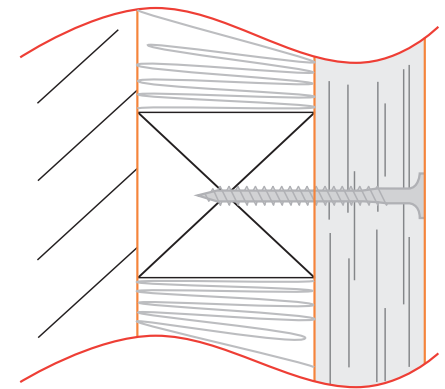
**MOUNTING D-20**



**MOUNTING C-20**



**MOUNTING C-40**



info@cardinalacoustics.com  
614.721.3001  
[CARDINALACOUSTICS.COM](http://CARDINALACOUSTICS.COM)

**COLUMBUS OFFICE**  
4622 Sawmill Road  
Columbus, Ohio 43320

**FABRICATION PLANT**  
721 Springfield Street  
Dayton, Ohio 45403



# CARDINAL ACOUSTICS

AN ACOUSTICAL WOOD FIBER COMPANY

## CARDINAL ACOUSTICS, INC. ACOUSTICAL TEST REPORT

THICKNESS	MOUNTING	100	125	160	200	250	315	400	500	630	800	1000	1250	1600	2000	2500	3150	4000	5000	NRC
5/8"	A	0.04	0.06	0.03	0.07	0.07	0.10	0.12	0.20	0.29	0.42	0.58	0.79	0.94	0.92	0.83	0.72	0.67	0.69	0.45
5/8"	E400	1.01	0.86	0.67	0.78	0.73	0.60	0.53	0.52	0.59	0.55	0.58	0.55	0.60	0.62	0.66	0.72	0.78	0.80	0.60
5/8"	D20	0.07	0.04	0.07	0.12	0.13	0.22	0.33	0.56	0.74	0.87	0.89	0.80	0.71	0.64	0.60	0.63	0.69	0.79	0.55
5/8"	C20	0.19	0.14	0.26	0.38	0.50	0.80	0.99	1.13	1.13	0.98	0.86	0.74	0.64	0.62	0.62	0.67	0.73	0.82	0.80
5/8"	C40	0.40	0.54	0.57	0.80	1.05	1.18	1.17	1.01	0.92	0.77	0.62	0.59	0.58	0.59	0.65	0.68	0.72	0.76	0.80
5/8" Complete	A	0.18	0.22	0.33	0.45	0.66	1.00	1.15	1.15	1.06	0.94	0.80	0.76	0.73	0.77	0.86	0.88	0.91	0.91	0.85
1"	A	0.07	0.05	0.07	0.11	0.11	0.23	0.29	0.43	0.56	0.78	0.96	1.07	1.04	0.93	0.80	0.78	0.84	0.90	0.60
1"	E400	1.00	0.85	0.68	0.80	0.79	0.66	0.60	0.56	0.67	0.65	0.70	0.70	0.77	0.83	0.90	0.94	0.97	0.94	0.70
1"	D20	0.11	0.09	0.14	0.18	0.22	0.37	0.50	0.80	0.96	1.04	0.97	0.87	0.77	0.73	0.77	0.85	0.94	0.92	0.70
1"	C20	0.23	0.20	0.31	0.44	0.62	0.91	1.09	1.22	1.16	1.03	0.90	0.80	0.76	0.76	0.84	0.91	0.96	0.94	0.90
1"	C40	0.49	0.57	0.65	0.84	1.10	1.19	1.21	1.07	0.96	0.82	0.72	0.72	0.78	0.82	0.90	0.93	0.91	0.92	0.95
1" Complete	A	0.22	0.27	0.38	0.51	0.73	1.03	1.14	1.17	1.07	0.93	0.81	0.73	0.73	0.79	0.88	0.92	0.92	0.95	0.90
1-1/2"	A	0.12	0.12	0.16	0.22	0.28	0.50	0.70	0.92	0.96	0.89	0.76	0.70	0.71	0.76	0.76	0.75	0.79	0.82	0.70
1-1/2"	C20	0.39	0.41	0.59	0.74	0.91	0.94	0.91	0.79	0.69	0.66	0.68	0.78	0.78	0.76	0.76	0.77	0.80	0.85	0.80

### Notes:

1. C20 and C40 Mounting used semi rigid fiberglass insulation
2. The noise reduction coefficient (NRC) is defined as the average of the coefficients at 250, 500, 1000, and 2000 Hz, expressed to the nearest multiple of 0.05
3. Test Methods conform to ASTM C423-17 and ASTM E795-16

info@cardinalacoustics.com  
614.721.3001  
**CARDINALACOUSTICS.COM**

**COLUMBUS OFFICE**  
4622 Sawmill Road  
Columbus, Ohio 43320

**FABRICATION PLANT**  
721 Springfield Street  
Dayton, Ohio 45403