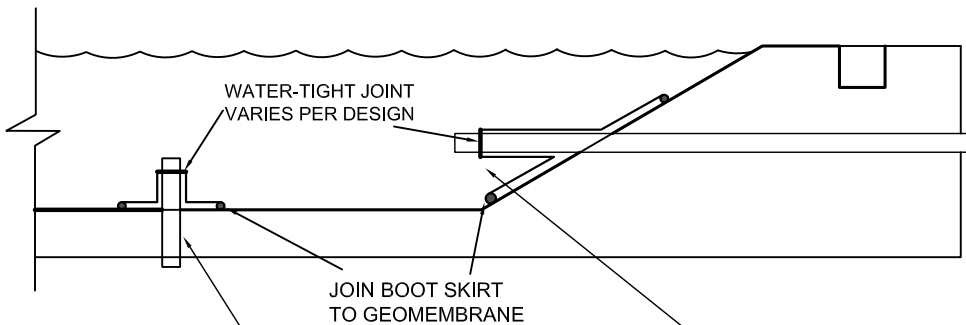


## PIPING PENETRATION DETAILS

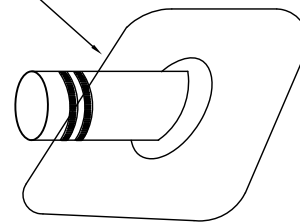
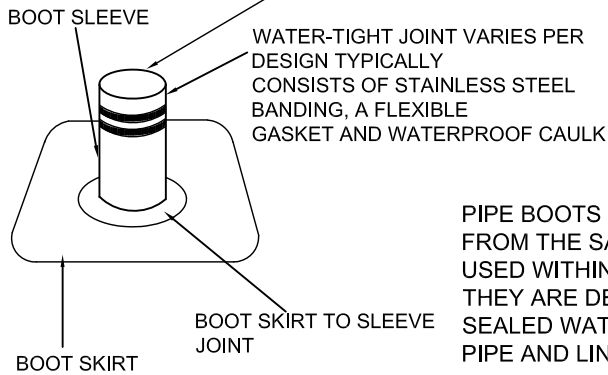
FOR ADDITIONAL DETAILS ON MECHANICAL ATTACHMENT TO PENETRATIONS OR STRUCTURES, SEE ASTM D6497



NOTE: CONSIDERATION MUST BE GIVEN DURING DESIGN TO ENSURE WORKABLE SPACE ON ALL SIDES OF BOOT TO ALLOW FOR SOUND JOINTS TO BE CREATED

EXAMPLE OF A 90 DEGREE PIPE BOOT

EXAMPLE OF AN ANGLED PIPE BOOT ON A SLOPE



PIPE BOOTS ARE FABRICATED FROM THE SAME LINER TYPE USED WITHIN THE RESERVOIR THEY ARE DESIGNED TO BE SEALED WATER-TIGHT TO THE PIPE AND LINING SYSTEM.

<b>TYPICAL PENETRATION DETAILS</b>			
Company Name:			
DRAWN BY:	SCALE:	DATE:	DRAWING NUMBER: 2