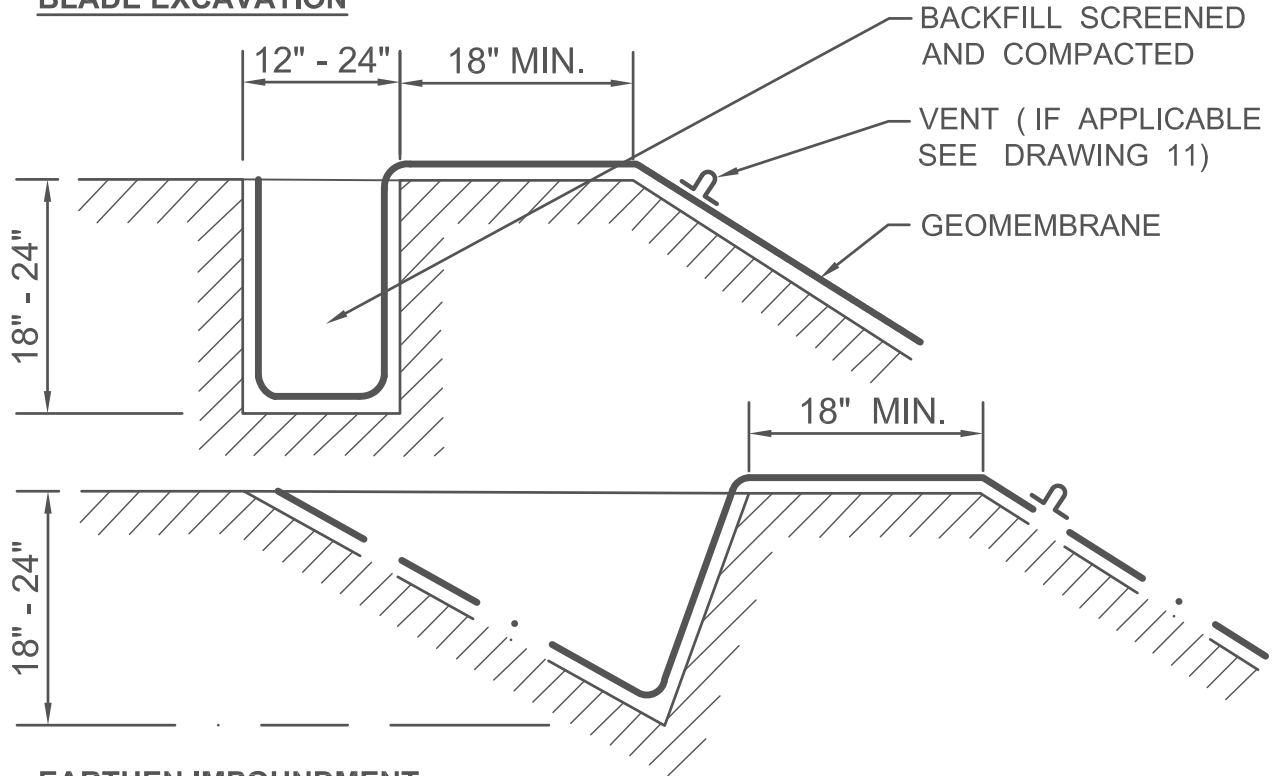
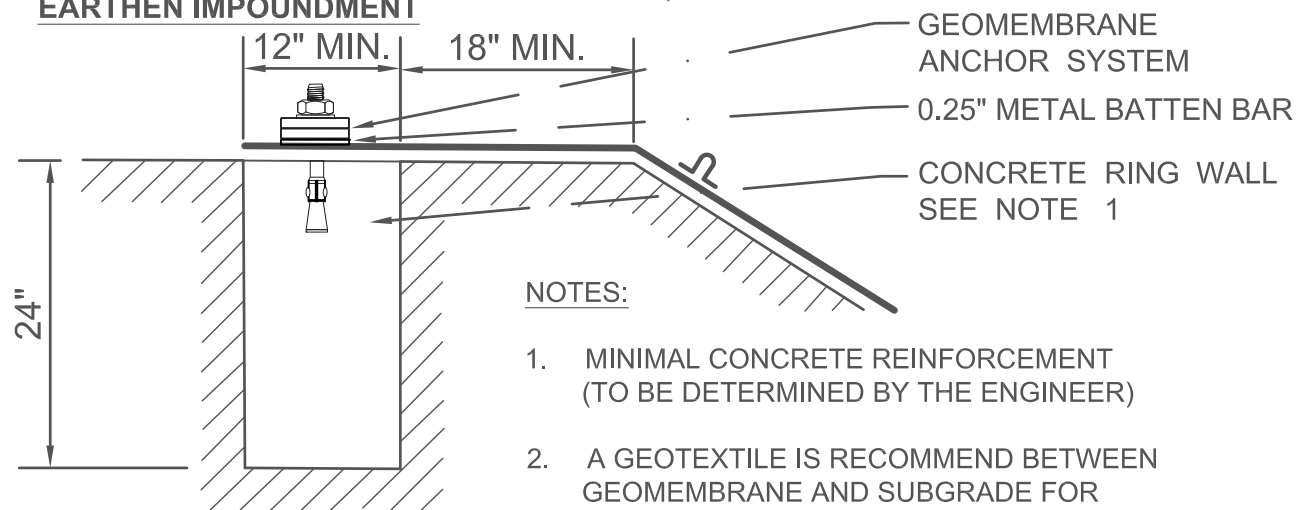


**BLADE EXCAVATION**



**EARTHEN IMPOUNDMENT**



**NOTES:**

1. MINIMAL CONCRETE REINFORCEMENT (TO BE DETERMINED BY THE ENGINEER)
2. A GEOTEXTILE IS RECOMMEND BETWEEN GEOMEMBRANE AND SUBGRADE FOR COARSE OR SIMILAR SUBGRADE
3. ALLOW SUFFICIENT FREEBOARD, AS TO NOT BE AFFECTED BY WAVE ACTION

<b>Typical Geomembrane Perimeter Anchor Details</b>			
Company Name:			
DRAWN BY:	SCALE:	DATE:	DRAWING NUMBER: 3